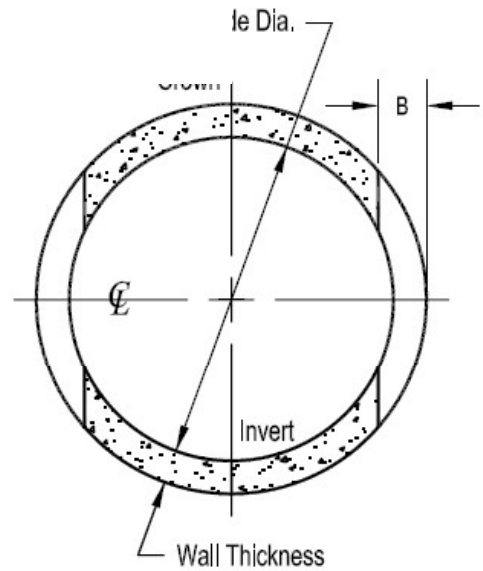


**Side View Of Concrete Pipe**



**Section A - A Thru Barrel**

Table of Dimensions		
Pipe Inside Diameter (Inches)	Wall Thickness (Inches)	B (Inches)
12	2	6 1/2
15	2 1/4	6 1/8
18	2 1/2	5 7/8
24	3	5 7/8
30	3 1/2	5 5/8
36	4	7 7/8
42	4 1/2	7 3/8
48	5	7 3/8

**NOTES:**

RCP MANUFACTURED TO ASTM, AASHTO & FDOT SPECIFICATIONS



**REINFORCED CONCRETE PIPE**

SAW CUT SLOTS FOR 12"Ø TO 48"Ø

3.X