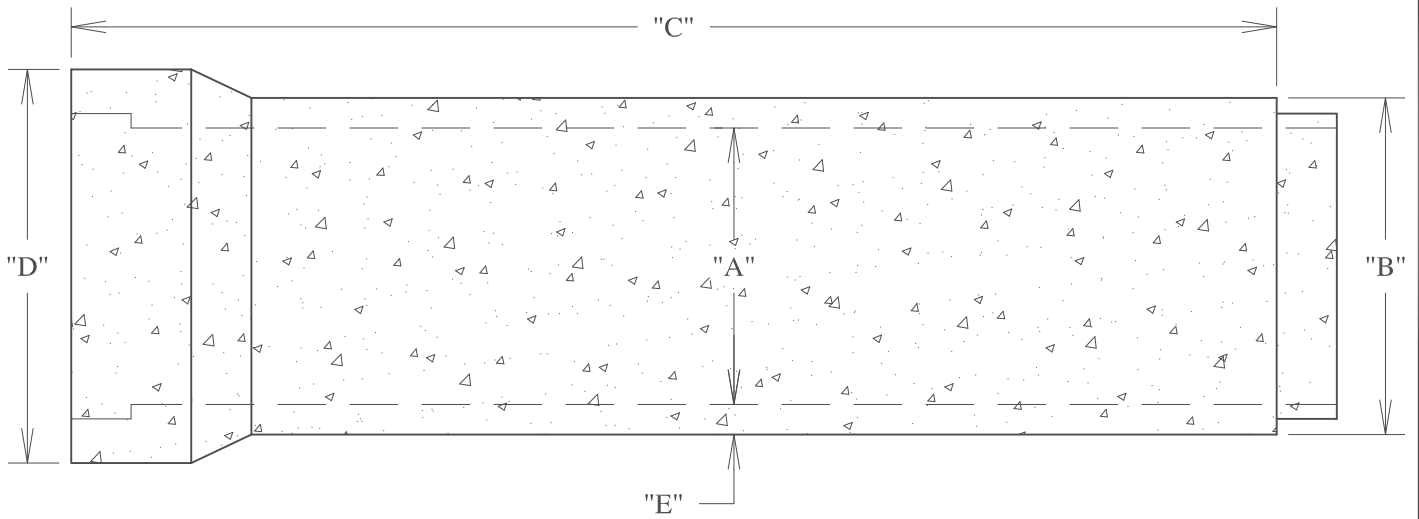
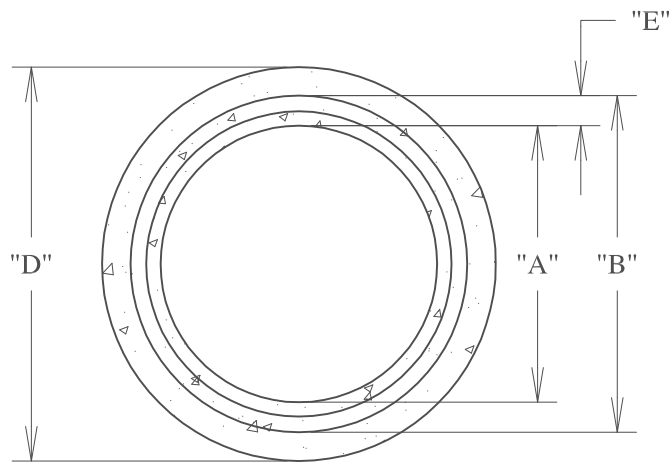


SIDE VIEW



FRONT VIEW




ALL RCP TO MEET
ASTM C-76 AND
BE CLASS V

PIPE SIZE	INSIDE DIAMETER "A"	OUTSIDE DIAMETER "B"	LAYING LENGTH *	OUTSIDE BELL DIAMETER "D"	WALL THICKNESS "E"	APPROX. WEIGHTS
12"	11.875"	16.625"	100"	19.50"	2.375"	883 lbs
15"	14.875"	19.875"	100"	23"	2.50"	1,109 lbs
18"	18"	23.50"	100"	26.75"	2.75"	1,474 lbs
24"	23.75"	30.75"	100"	32.75"	3.50"	2,402 lbs
30"	29.625"	38.125"	100"	39.50"	4.25"	3,711 lbs
36"	35.875"	44.625"	98"	45.75"	4.375"	4,501 lbs
42"	42"	51.00"	98"	52.25"	4.50"	5,403 lbs
48"	48"	57.875"	98"	58.25"	4.9375"	6,729 lbs
54"	53.875"	64.375"	98"	64.75"	5.25"	8,034 lbs

NOT TO SCALE
DIMENSIONS SUBJECT TO
SITE SPECIFIC CHANGES.

* LAYING LENGTH PER PIPE SIZE VARIES SLIGHTLY,
BUT 96" IS TYPICALLY USED FOR RUN CALCULATIONS.

PRODUCT		DATE	SECTION PAGE
REINFORCED CONCRETE PIPE (CIRCULAR)		09/15/09	01.01