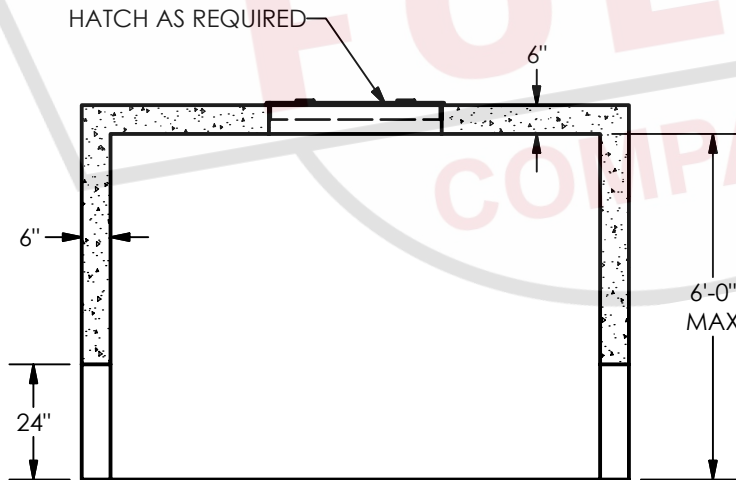
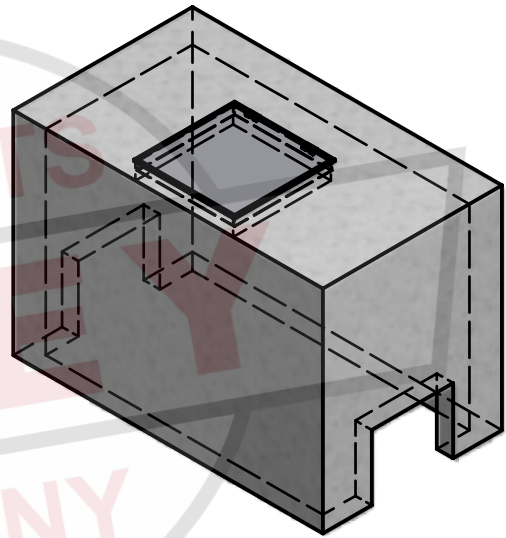
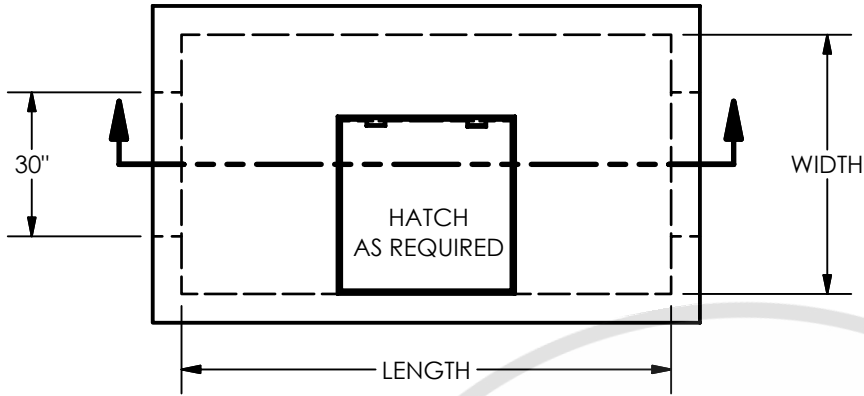


LENGTH	WIDTH	TONS
8'-6"	4'-6"	8.26
10'-0"	5'-0"	9.68
8'-0"	6'-0"	9.11
12'-0"	6'-0"	11.96



MATERIALS:

CONCRETE: 4,000 PSI, TYPE I/II CEMENT
 GRADE 60 REINFORCEMENT

NOTES:

AASHTO H20 DESIGN LOADING AVAILABLE

PARTS SHOWN:

8'-6\"/>



BOX

WATER METER VAULT (WITHOUT FLOOR)

2.9