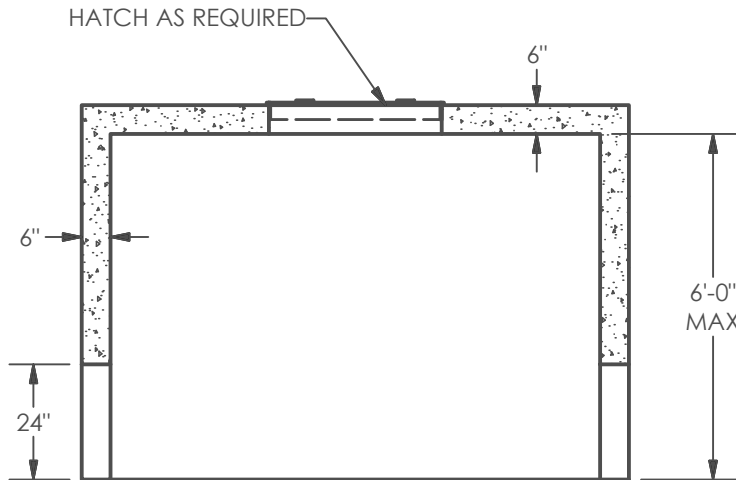
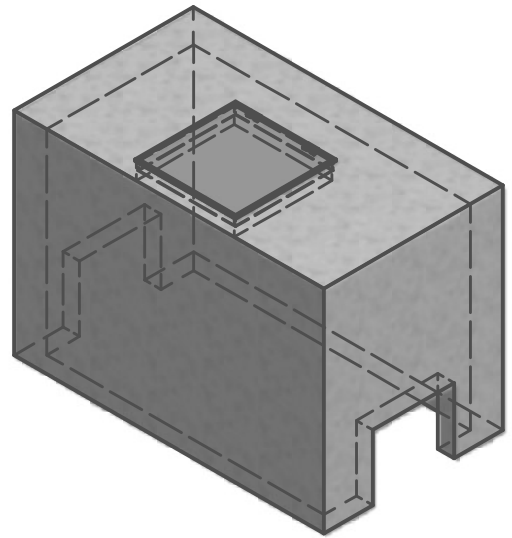
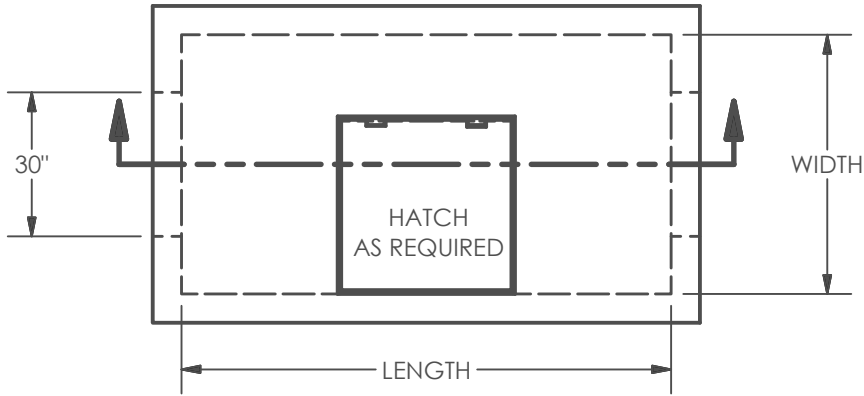


LENGTH	WIDTH	TONS
8'-6"	4'-6"	8.26
10'-0"	5'-0"	9.68
8'-0"	6'-0"	9.11
12'-0"	6'-0"	11.96



**MATERIALS:**

CONCRETE: 4,000 PSI, TYPE I/II CEMENT  
GRADE 60 REINFORCEMENT

**NOTES:**

AASHTO H20 DESIGN LOADING AVAILABLE

**PARTS SHOWN:**

8'-6\"/>



**BOX**

WATER METER VAULT (WITHOUT FLOOR)

**2.9**