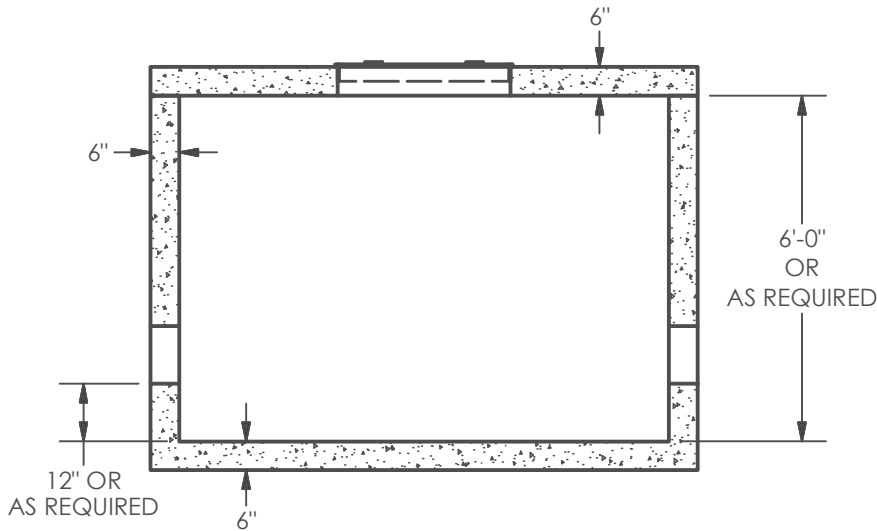
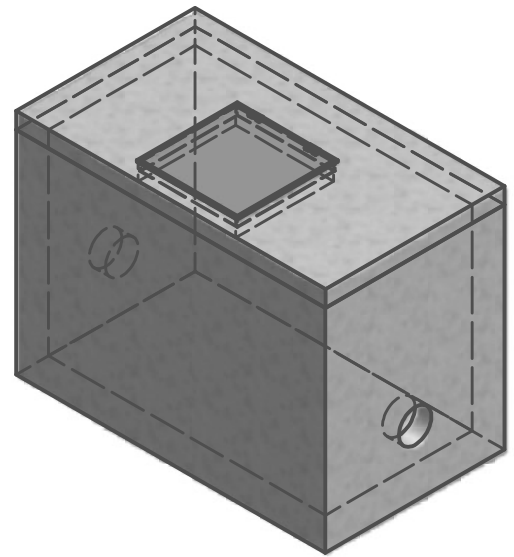
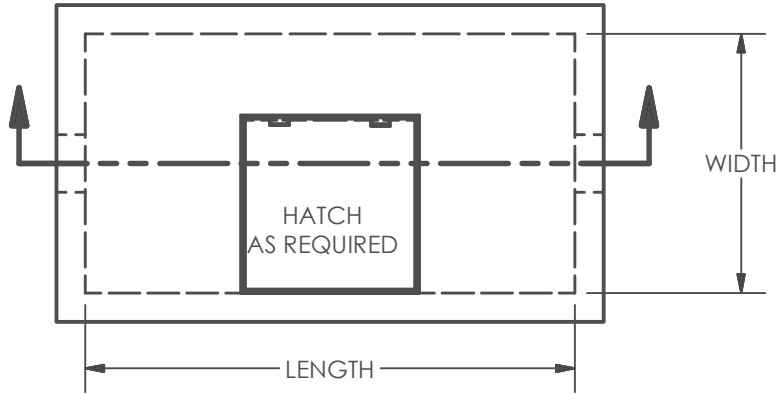


LENGTH	WIDTH	TONS
8'-6"	4'-6"	10.22
10'-0"	5'-0"	12.15
12'-0"	6'-0"	15.38



MATERIALS:

CONCRETE: 4,000 PSI, TYPE I/II CEMENT
GRADE 60 REINFORCEMENT

NOTES:

AASHTO H20 DESIGN LOADING AVAILABLE
NORMAL - 24"H x 30"W DOGHOUSE

PARTS SHOWN:

8'-6"L x 4'-6"W WMV WITH APS 36"x36" HATCH



BOX

WATER METER VAULT (WITH FLOOR)

2.10