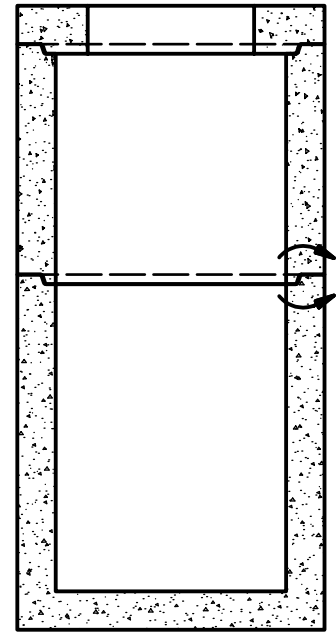
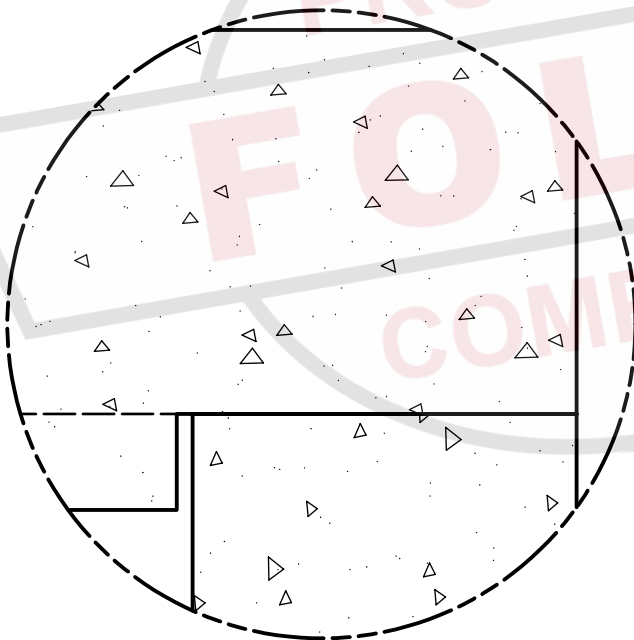


STEEL FORM RISER JOINT

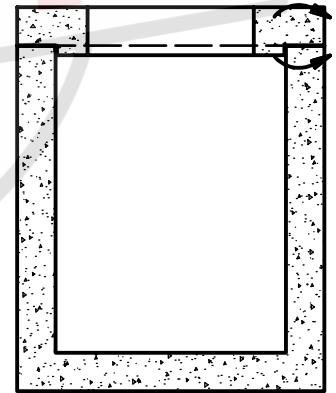


PARTS SHOWN:

- 4'-0" L x 4'-0" W x 6" THICK JOINTED TOP WITH $\varnothing 26"$
- 3'-0" L x 3'-0" W x 3'-0" H 6" WALL RISER
- 3'-0" L x 3'-0" W x 4'-0" H 6" WALL 6" THICK BASE



SYMONS FORM TOP JOINT



PARTS SHOWN:

- 4'-0" L x 4'-0" W x 6" THICK JOINTED SLAB TOP WITH $\varnothing 26"$
- 3'-0" L x 3'-0" W x 4'-0" H 6" WALL 6" THICK BASE

MATERIALS:

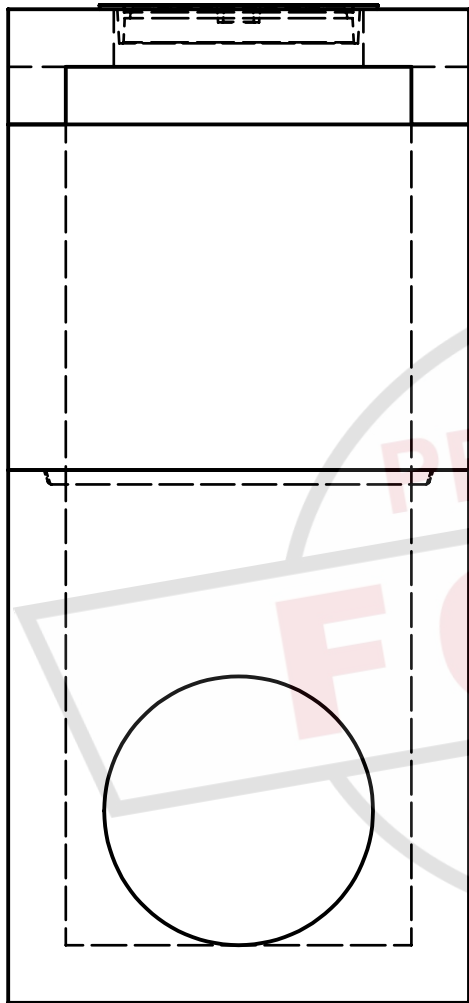
CONCRETE: 4,000 PSI, TYPE I/II CEMENT
 MANUFACTURED TO ASTM C-913



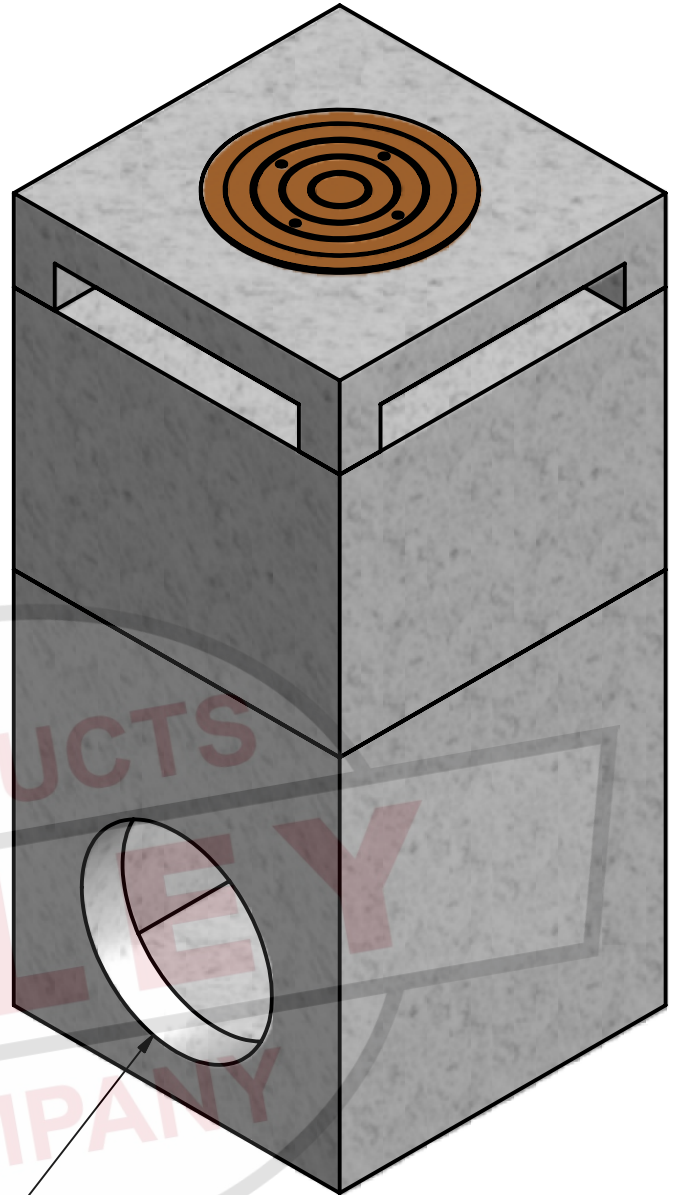
BOX

TYPICAL BOX JOINTS

2.1



6" TO 12"



HOLES AS REQUIRED

MATERIALS:

CONCRETE: 4,000 PSI, TYPE I/II CEMENT
 MANUFACTURED TO ASTM C-913

PARTS SHOWN:

4'-0"L x 4'-0"W x 6"THICK PEDESTAL TOP(6" PEDESTALS) WITH 1033
 3'-0"L x 3'-0"W x 3'-0"H 6"WALL RISER
 3'-0"L x 3'-0"W x 4'-0"H 6"WALL 6"THICK BASE WITH Ø28" HOLE

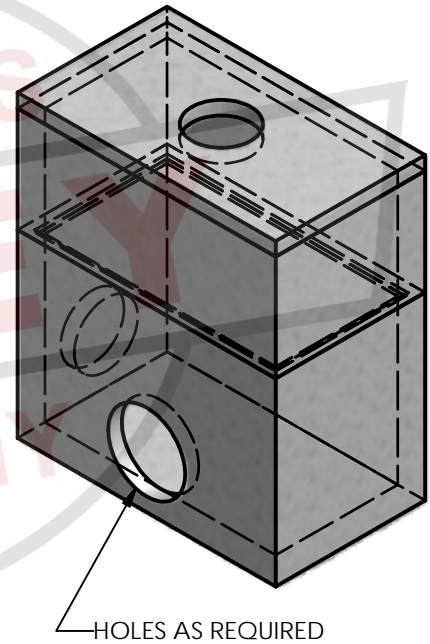
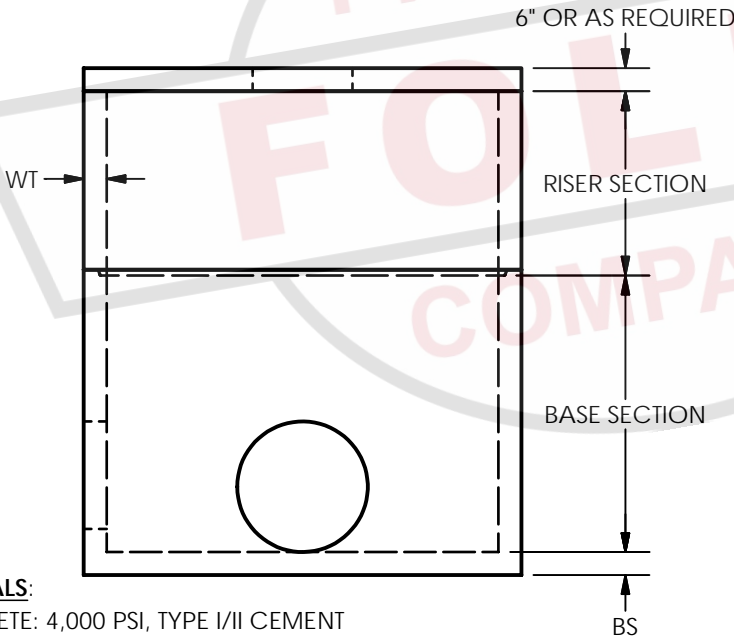
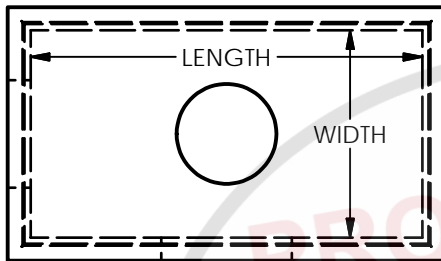


BOX

PEDESTAL TOPS

2.2

LENGTH	WIDTH	WT	BS	RISER SECTION			BASE SECTION		
				MIN	MAX	VF TONS	MIN	MAX	SLAB TONS
2'-0"	2'-0"	6"	6"	1'-0"	4'-0"	0.38	1'-0"	4'-0"	0.34
4'-0"	2'-0"	6"	6"	1'-0"	4'-0"	0.53	1'-0"	4'-0"	0.56
3'-0"	3'-0"	4"	4"	1'-0"	3'-0"	0.33	1'-0"	3'-0"	0.34
3'-0"	3'-0"	6"	6"	1'-0"	6'-0"	0.53	1'-0"	6'-0"	0.60
4'-0"	4'-0"	6"	6"	1'-0"	6'-0"	0.68	1'-0"	6'-0"	0.94
4'-3"	3'-0"	8"	8"	1'-0"	4'-0"	0.86	1'-0"	4'-0"	1.21
5'-0"	5'-0"	6"	6"	1'-0"	6'-0"	0.83	1'-0"	6'-0"	1.35
6'-0"	6'-0"	6"	6"	1'-0"	8'-0"	0.98	1'-0"	8'-0"	1.84
8'-0"	8'-0"	6"	6"	1'-0"	5'-0"	1.28	1'-0"	5'-0"	3.04
8'-6"	4'-6"	6"	6"	1'-0"	6'-0"	1.05	1'-0"	6'-0"	1.96
8'-0"	6'-0"	6"	6"	1'-0"	6'-0"	1.13	1'-0"	6'-0"	2.36
10'-0"	3'-0"	8"	8"	1'-0"	5'-0"	1.43	1'-0"	5'-0"	2.46
10'-0"	5'-0"	6"	6"	1'-6"	6'-0"	1.20	1'-0"	6'-0"	2.48
12'-0"	6'-0"	6"	6"	1'-6"	6'-0"	1.43	1'-0"	6'-0"	3.41



MATERIALS:

CONCRETE: 4,000 PSI, TYPE I/II CEMENT
 MANUFACTURED TO ASTM C-913
 GRADE 60 REINFORCEMENT

NOTES:

PULL-IN-IRONS, SUMPS, INSERTS AND OTHER HARDWARE
 AVAILABLE FOR SPECIAL UTILITY APPLICATIONS
 AASHTO H20 DESIGN LOADING AVAILABLE

PARTS SHOWN:

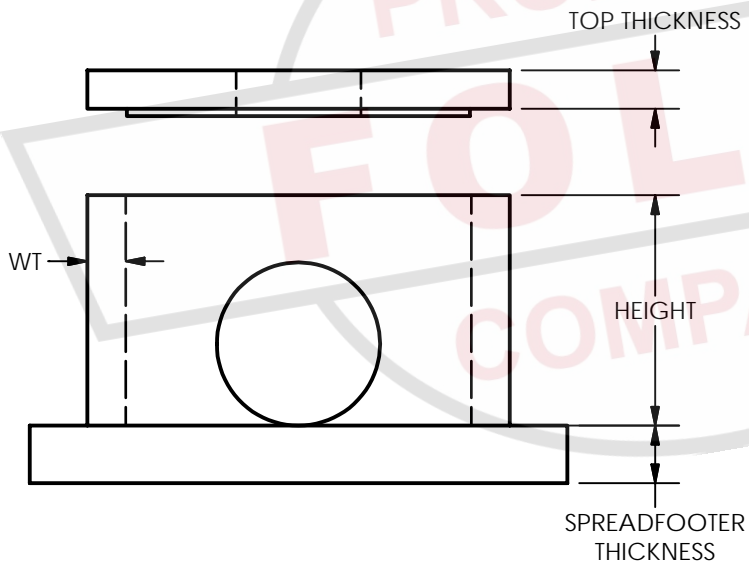
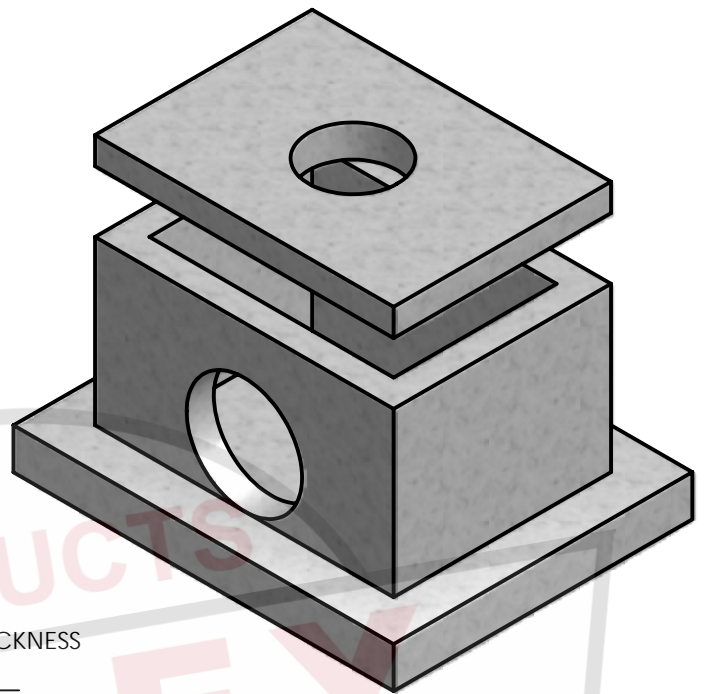
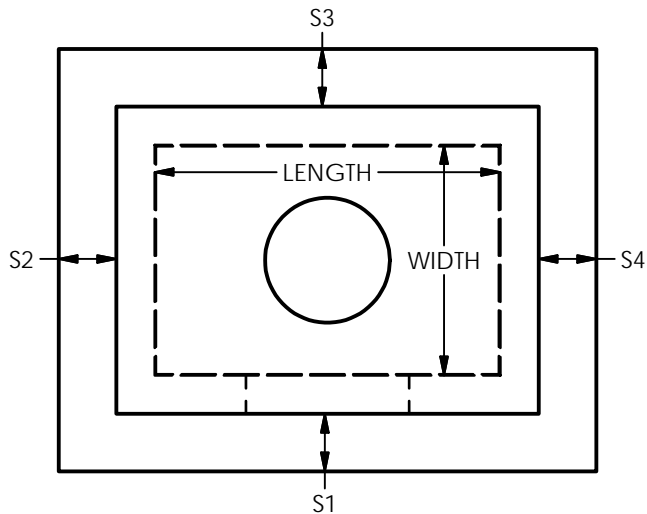
- 9'-6"L x 5'-6"W x 6"THICK SLAB TOP WITH Ø26"
- 8'-6"L x 4'-6"W x 4'-0"H 6"WALL RISER
- 8'-6"L x 4'-6"W x 6'-0"H 6"WALL 6"THICK BASE
- Ø34" HOLE AT 0°
- Ø28" HOLE AT 90° UP 6"



BOX

STANDARD BOX FORMS

2.3



DIMENSION	MEASUREMENT
LENGTH	
WIDTH	
HEIGHT	
WT	
TOP THICKNESS	
SPREADFOOTER THICKNESS	
S1	
S2	
S3	
S4	

MATERIALS:

CONCRETE: 4,000 PSI, TYPE I/II CEMENT
 MANUFACTURED TO ASTM C-913
 GRADE 60 REINFORCEMENT

NOTES:

PULL-IN-IRONS, SUMPS, INSERTS AND OTHER HARDWARE
 AVAILABLE FOR SPECIAL UTILITY APPLICATIONS
 AASHTO H20 DESIGN LOADING AVAILABLE

PARTS SHOWN:

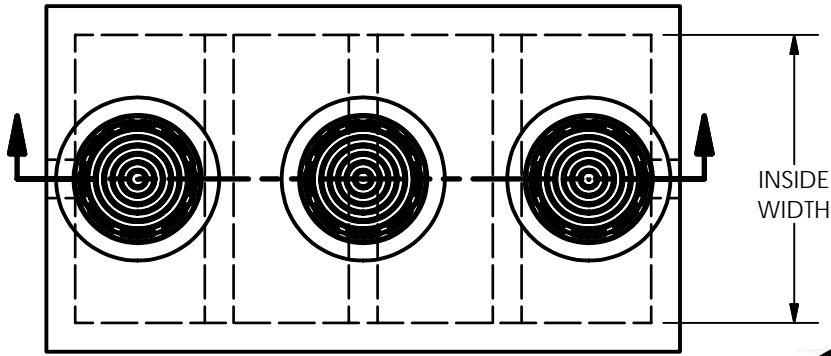
7'-4"L x 5'-4"W x 8"THICK JOINTED SLAB TOP WITH Ø26"
 6'-0"L x 4'-0"W x 4'-0"H 8"W WALL
 WITH 12" THICK SPREADFOOTER
 S1 = 12", S2 = 12", S3 = 12", S4 = 12"
 Ø34" HOLE AT 0°



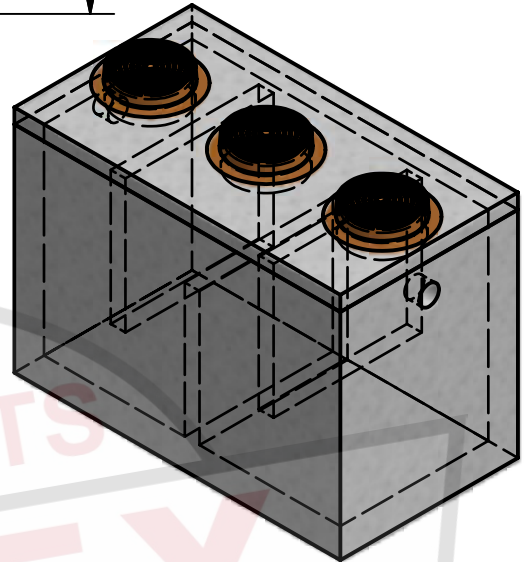
BOX

SYMONS BOX

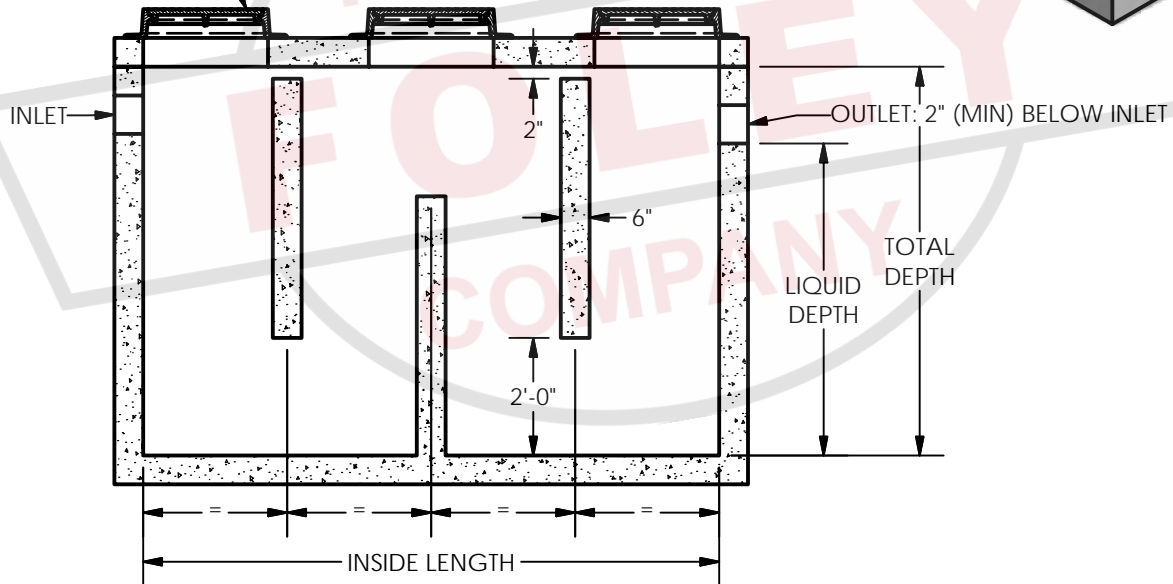
2.4



GEORGIA DEPARTMENT OF
HUMAN RESOURCES
ENVIRONMENTAL HEALTH BRANCH
APPROVED: 10/31/2000



Ø26"
RING & COVER
(TYP)



MATERIALS:

CONCRETE: 4,000 PSI, TYPE I/II CEMENT
MINIMUM #5 @ 12" O.C.E.W. - GRADE 60 REINFORCEMENT

NOTES:

AASHTO H20 DESIGN LOADING AVAILABLE

PARTS SHOWN:

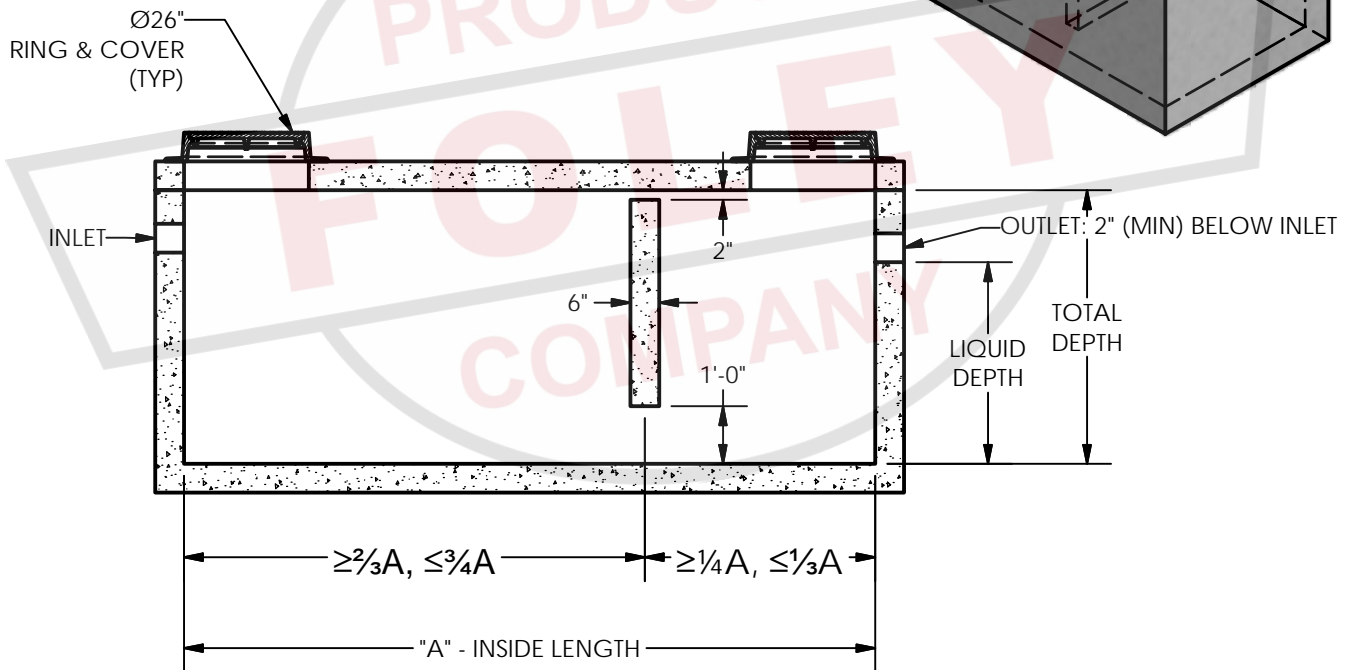
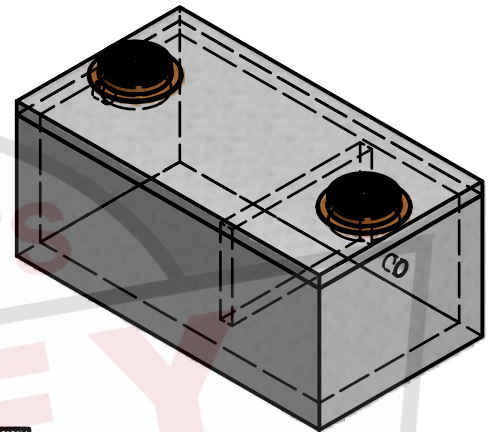
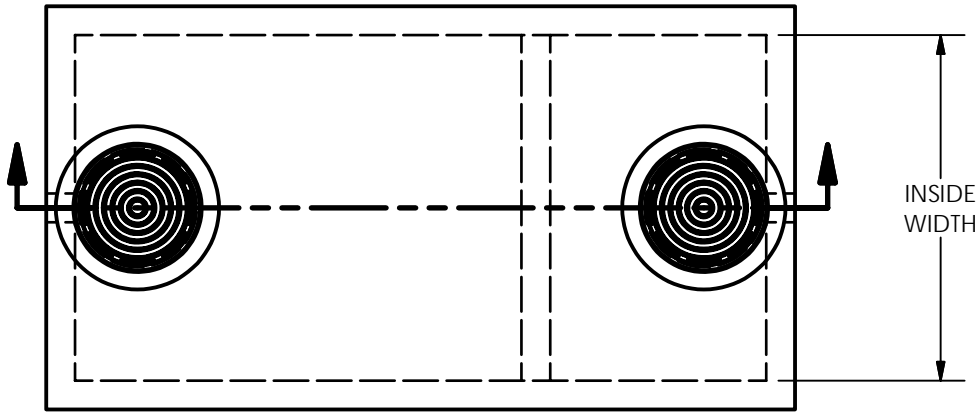
2000 GALLON OIL WATER SEPARATOR
10.00' x 5.00' x 6.50'



BOX

OIL WATER SEPARATOR (STANDARD)

2.5



MATERIALS:

CONCRETE: 4,000 PSI, TYPE I/II CEMENT
 MINIMUM #5 @ 12" O.C.E.W. - GRADE 60 REINFORCEMENT

NOTES:

AASHTO H20 DESIGN LOADING AVAILABLE

PARTS SHOWN:

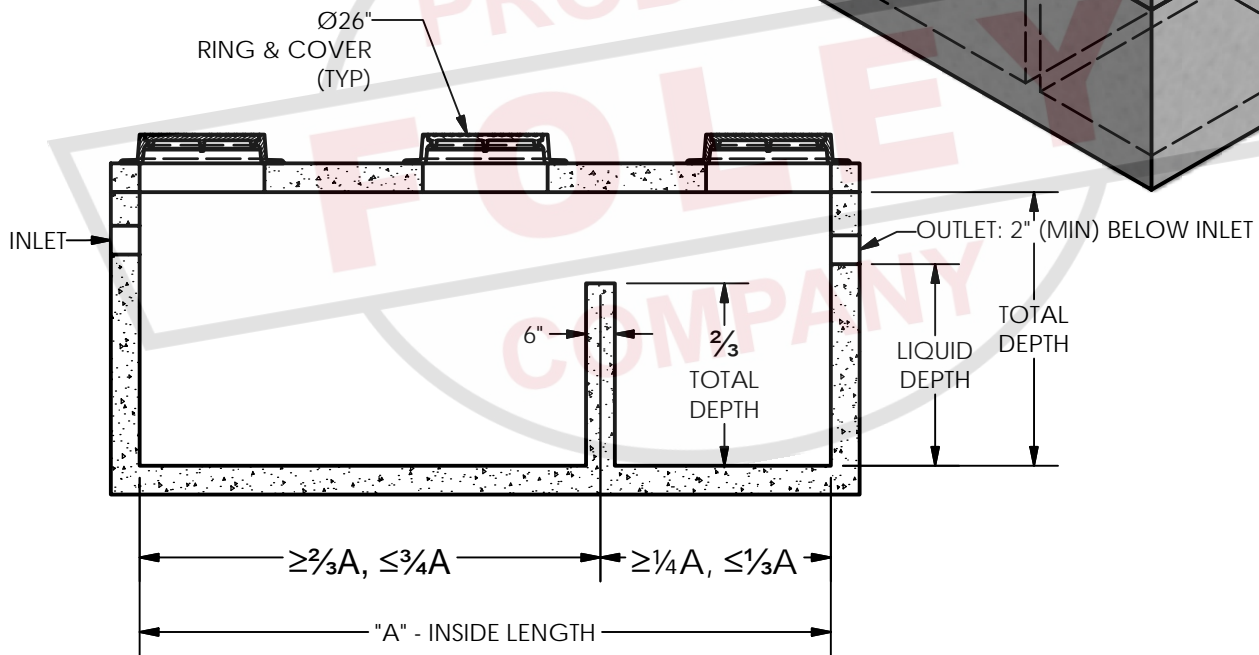
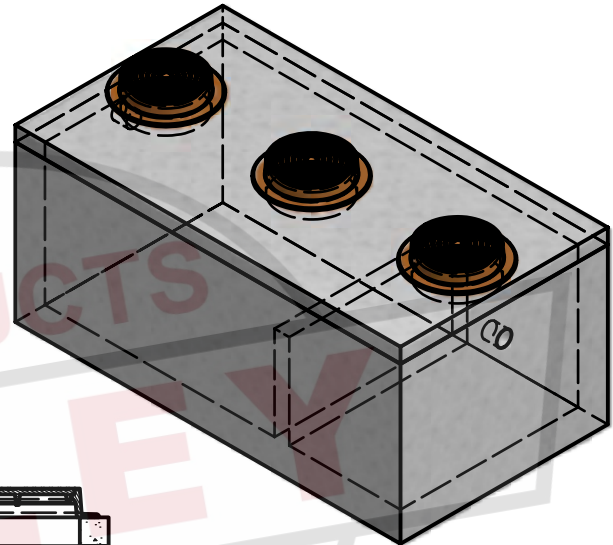
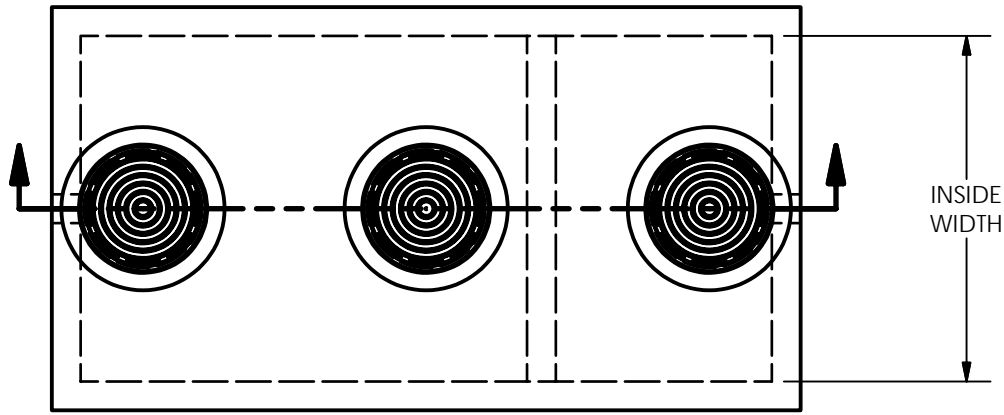
2000 GALLON OIL WATER SEPARATOR
 12.00' x 5.00' x 4.75'



BOX

OIL WATER SEPARATOR (TYPICAL)

2.6



MATERIALS:

CONCRETE: 4,000 PSI, TYPE I/II CEMENT
 MINIMUM #5 @ 12" O.C.E.W. - GRADE 60 REINFORCEMENT

NOTES:

AASHTO H20 DESIGN LOADING AVAILABLE

PARTS SHOWN:

2500 GALLON GREASE TRAP
 12.00' x 6.00' x 4.75'



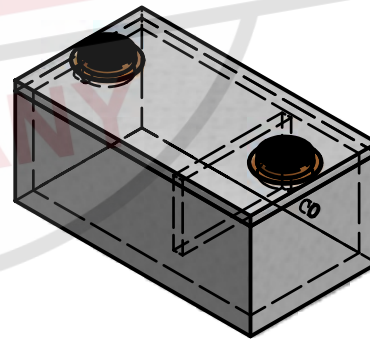
BOX

SEPTIC TANK (STANDARD)

2.7

GALLONS	INSIDE LENGTH (FT)	INSIDE WIDTH (FT)	LIQUID DEPTH (FT)	TOTAL DEPTH (FT)	WALL THICKNESS (IN)	TOP THICKNESS (IN)	BASE THICKNESS (IN)
1000	8.50	4.50	3.50	4.50	6	6	6
1500	8.50	4.50	5.25	6.00	6	6	6
1500	10.00	5.00	4.00	5.00	6	6	6
1500	12.00	6.00	3.00	4.00	6	6	6
2000	8.50	4.50	7.00	8.00	6	6	6
2000	10.00	5.00	5.50	6.50	6	6	6
2000	12.00	6.00	3.75	4.75	6	6	6
2500	10.00	5.00	6.75	7.75	6	6	6
2500	12.00	6.00	4.75	5.75	6	6	6
3000	10.00	5.00	8.00	9.00	6	6	6
3000	12.00	6.00	5.75	6.75	6	6	6
3000	12.00	9.00	3.75	4.75	6	7	7
3500	10.00	5.00	9.50	10.50	6	6	6
3500	12.00	6.00	7.50	7.50	6	6	6
3500	12.00	9.00	4.50	5.50	6	7	7
3500	13.50	9.00	4.00	5.00	8	8	8
4000	10.00	5.00	10.75	11.75	6	6	6
4000	12.00	6.00	7.50	8.50	6	6	6
4000	12.00	9.00	5.00	6.00	6	7	7
4000	13.50	9.00	4.50	5.50	8	8	8

GALLONS	INSIDE LENGTH (FT)	INSIDE WIDTH (FT)	LIQUID DEPTH (FT)	TOTAL DEPTH (FT)	WALL THICKNESS (IN)	TOP THICKNESS (IN)	BASE THICKNESS (IN)
4500	12.00	6.00	8.50	9.50	6	6	6
4500	12.00	9.00	5.75	6.75	6	7	7
4500	13.50	9.00	5.00	6.00	8	8	8
4500	15.00	10.00	4.00	5.00	8	8	8
5000	12.00	6.00	9.50	10.50	6	6	6
5000	12.00	9.00	6.25	7.25	6	7	7
5000	13.50	9.00	5.50	6.50	8	8	8
5000	15.00	10.00	4.50	5.50	8	8	8
5500	12.00	6.00	10.25	11.25	6	6	6
5500	12.00	9.00	7.00	8.00	6	7	7
5500	13.50	9.00	6.25	7.25	8	8	8
5500	15.00	10.00	5.00	6.00	8	8	8
6000	13.50	9.00	6.75	7.75	8	8	8
6000	15.00	10.00	5.50	6.50	8	8	8
6000	18.00	12.00	3.75	4.75	8	8	8
6500	18.00	12.00	4.00	5.00	8	8	8
7000	18.00	12.00	4.50	5.50	8	8	8
7500	18.00	12.00	4.75	5.75	8	8	8
8000	18.00	12.00	5.00	6.00	8	8	8



MATERIALS:

CONCRETE: 4,000 PSI, TYPE I/II CEMENT
 MINIMUM #5 @ 12" O.C.E.W. - GRADE 60 REINFORCEMENT

NOTES:

AASHTO H20 DESIGN LOADING AVAILABLE
 EITHER SLIP-IN, BOLT-IN OR INTEGRAL TYPE BAFFLE WALLS MAY BE USED AT THE PRECASTER'S DISCRETION.
 WALLS SHALL BE PLACED AS DESIGNED BY THE ENGINEER.
 ALL PLUMBING HARDWARE AND GROUTING TO BE SUPPLIED AND APPLIED TO TANK BY CONTRACTOR.
 INLET AND OUTLET PIPE SUPPLIED BY THE CONTRACTOR TO MEET THE REQUIREMENTS SET BY THE DEPARTMENT OF HUMAN RESOURCES-ENVIRONMENTAL HEALTH SECTION MANUAL.
 EFFLUENT WILL BE A MINIMUM OF 2" BELOW INFLUENT. HOLES MAY BE CAST 2" GREATER THAN PIPE DIAMETER OR THEY MAY HAVE PIPE BOOTS AT CONTRACTOR'S OPTION.
 WALL, TOP AND BASE THICKNESS MAY CHANGE DUE TO DESIGN LOADING. HOWEVER, INTERIOR CAPACITY WILL NOT BE AFFECTED.
 THIS DRAWING REFERENCES TANK DF-7, DF-8 AND DF-9 FROM THE DEPARTMENT OF HUMAN RESOURCES-ENVIRONMENTAL HEALTH SECTION MANUAL.

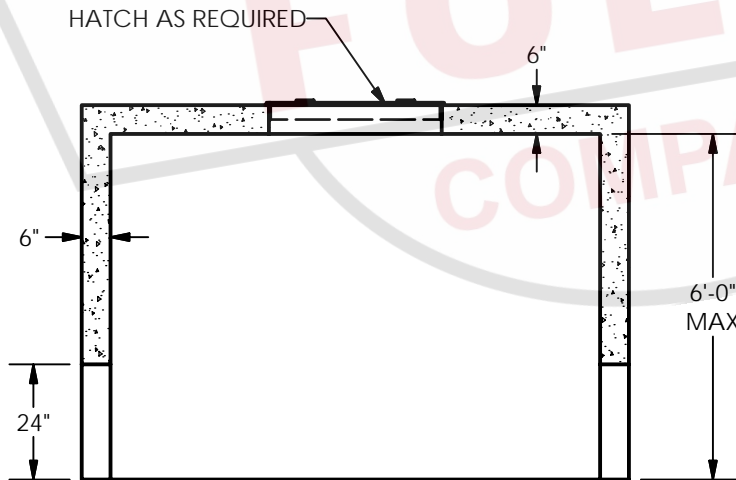
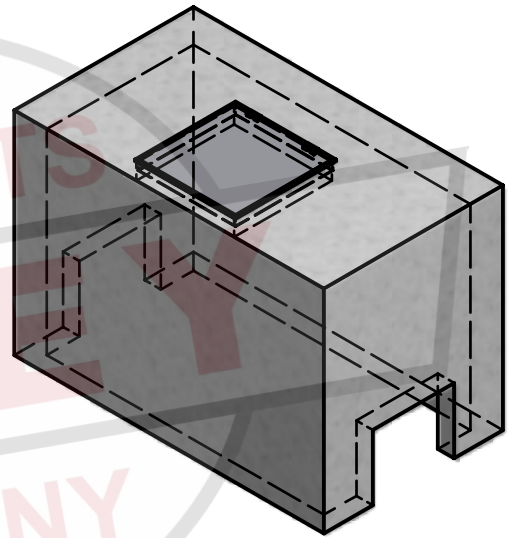
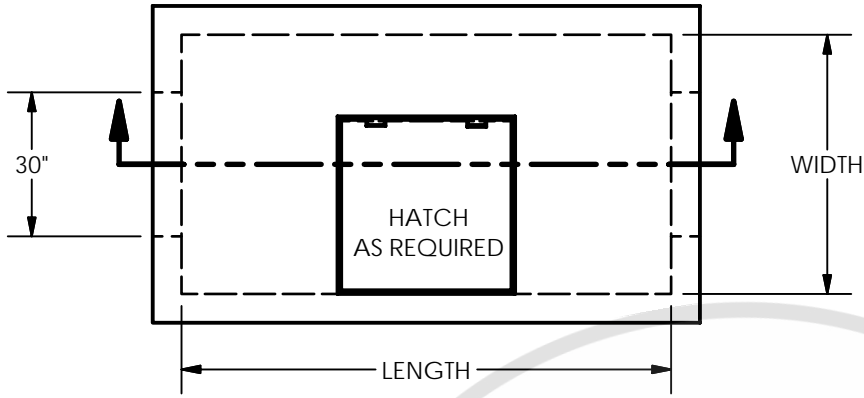


BOX

OIL WATER SEPARATOR / SEPTIC TANK CHART

2.8

LENGTH	WIDTH	TONS
8'-6"	4'-6"	8.26
10'-0"	5'-0"	9.68
8'-0"	6'-0"	9.11
12'-0"	6'-0"	11.96



MATERIALS:

CONCRETE: 4,000 PSI, TYPE I/II CEMENT
 GRADE 60 REINFORCEMENT

NOTES:

AASHTO H20 DESIGN LOADING AVAILABLE

PARTS SHOWN:

8'-6"L x 4'-6"W WMV WITH APS 36"x36" HATCH

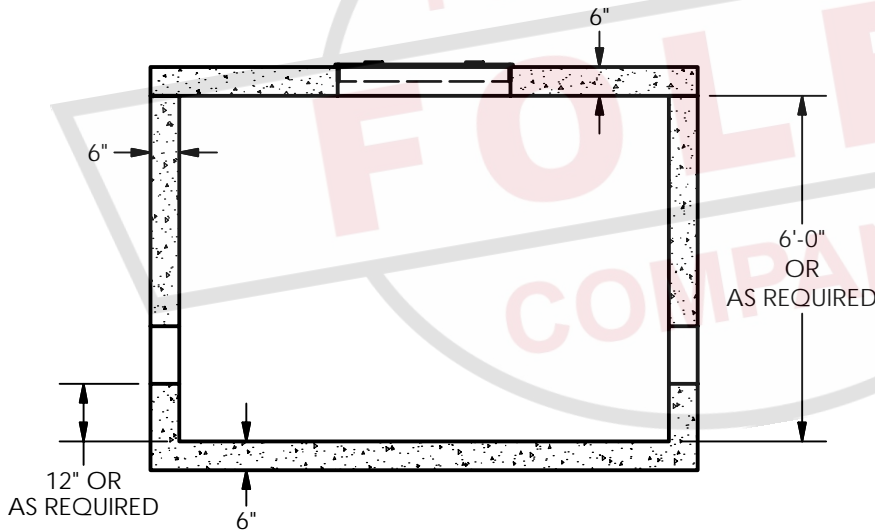
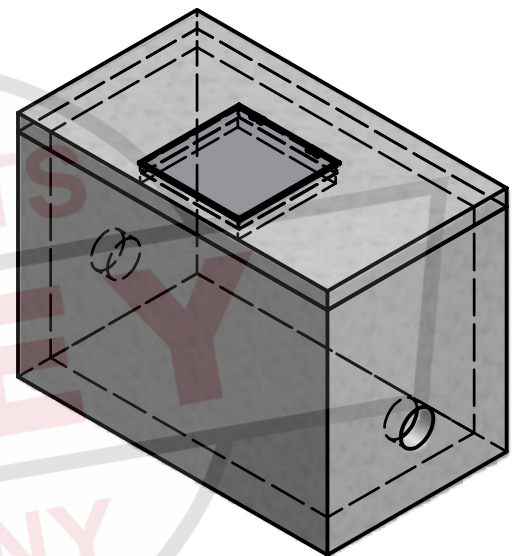
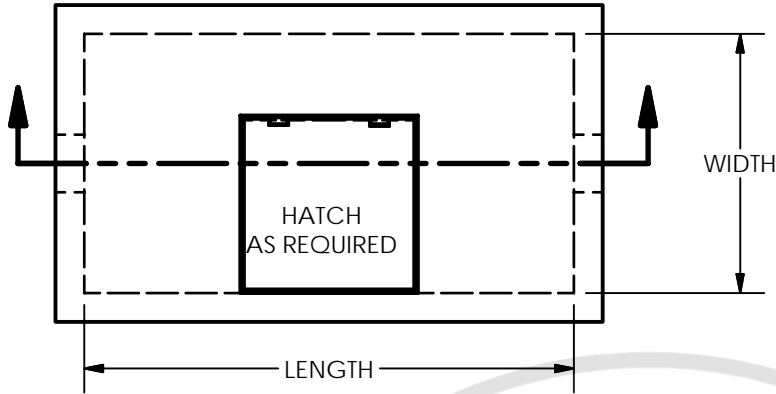


BOX

WATER METER VAULT (WITHOUT FLOOR)

2.9

LENGTH	WIDTH	TONS
8'-6"	4'-6"	10.22
10'-0"	5'-0"	12.15
12'-0"	6'-0"	15.38



MATERIALS:

CONCRETE: 4,000 PSI, TYPE I/II CEMENT
 GRADE 60 REINFORCEMENT

NOTES:

AASHTO H20 DESIGN LOADING AVAILABLE
 NORMAL - 24"H x 30"W DOGHOUSE

PARTS SHOWN:

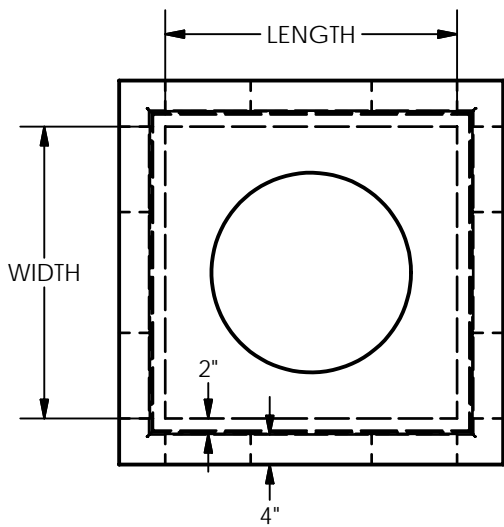
8'-6"L x 4'-6"W WMV WITH APS 36"x36" HATCH



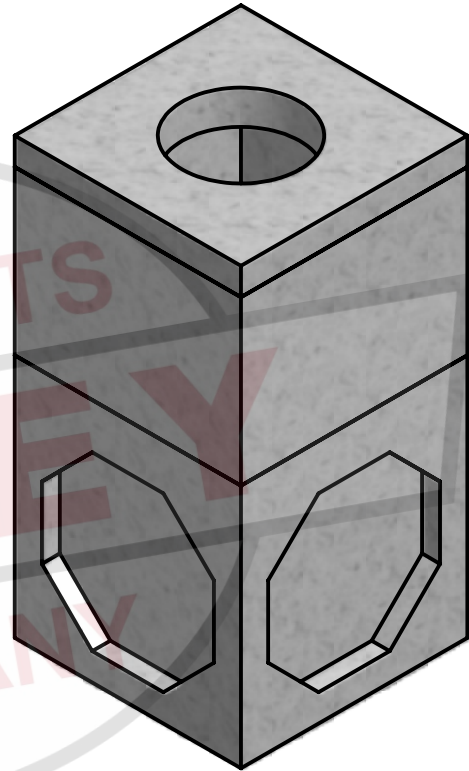
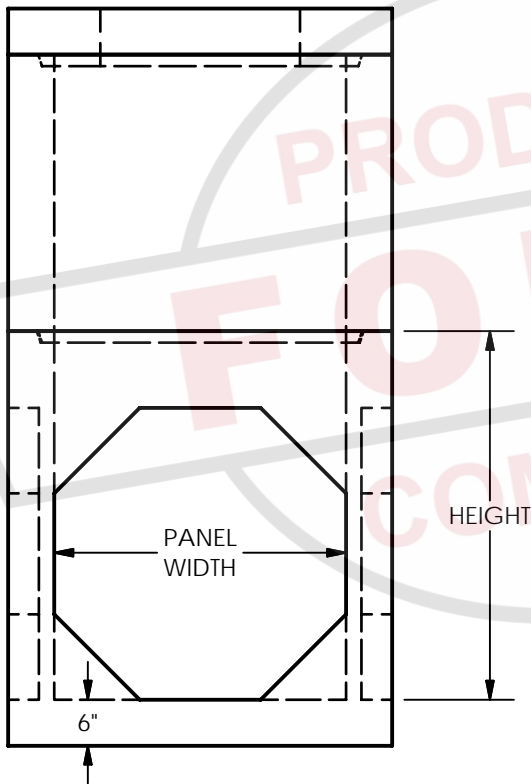
BOX

WATER METER VAULT (WITH FLOOR)

2.10



LENGTH	WIDTH	HEIGHT	PANEL WIDTH
3'-2"	3'-2"	4'-0"	38"
4'-3"	4'-3"	5'-0"	51"



MATERIALS:

CONCRETE: 4,000 PSI, TYPE I/II CEMENT

NOTES:

OPENING ON TOP AS REQUIRED
 SEE 2.11 FOR STANDARD KNOCKOUT BOXES
 NOT TRAFFIC RATED

PARTS SHOWN:

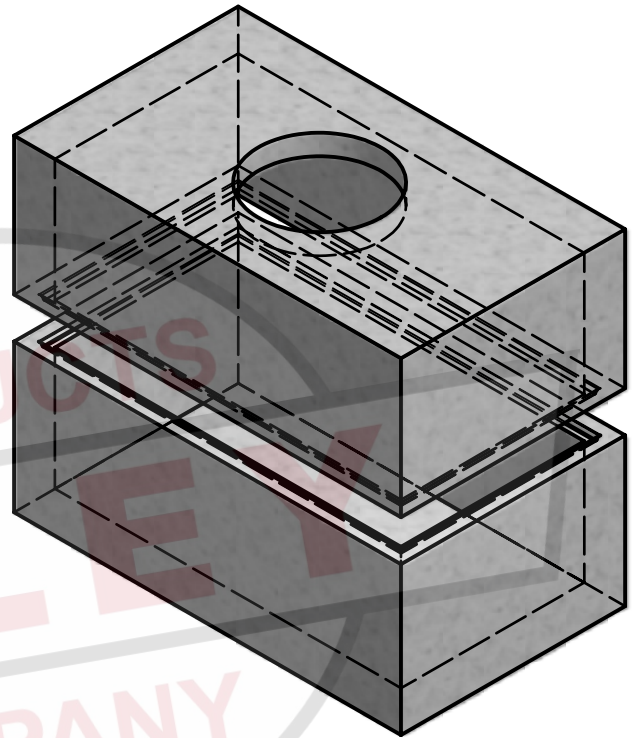
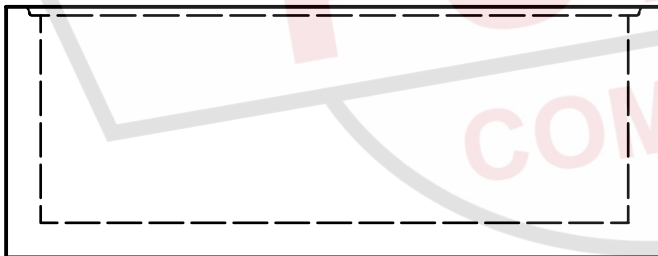
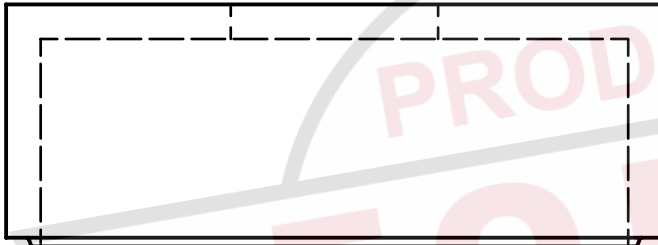
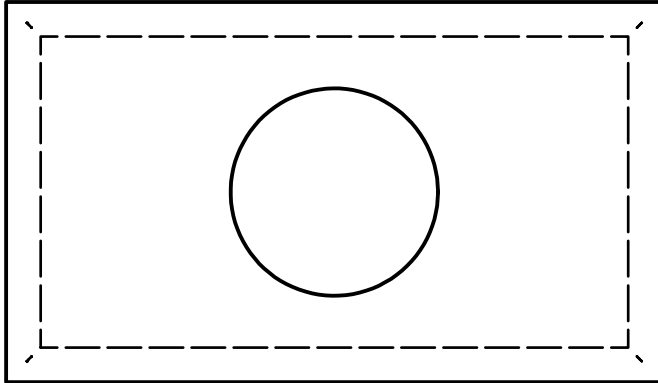
4'-2" x 4'-2" TOP
 3'-2" x 3'-2" x 4'-0" RISER
 3'-2" x 3'-2" x 4'-0" KNOCK-OUT BASE



BOX

KNOCKOUT BOXES (ALABAMA)

2.12



MATERIALS:

CONCRETE: 4,000 PSI, TYPE I/II CEMENT
 MANUFACTURED TO ASTM C-913
 GRADE 60 REINFORCEMENT

NOTES:

CLAMSHELL BOXES ARE AVAILABLE
 FOR MOST STANDARD BOX FORMS
 PULL-IN-IRONS, SUMPS, INSERTS AND OTHER HARDWARE
 AVAILABLE FOR SPECIAL UTILITY APPLICATIONS
 AASHTO H20 DESIGN LOADING AVAILABLE

PARTS SHOWN:

8'-6"L x 4'-6"W x 4'-0"H 6"WALL CLAMSHELL TOP WITH Ø36"
 8'-6"L x 4'-6"W x 6'-0"H 6"WALL 6"THICK BASE

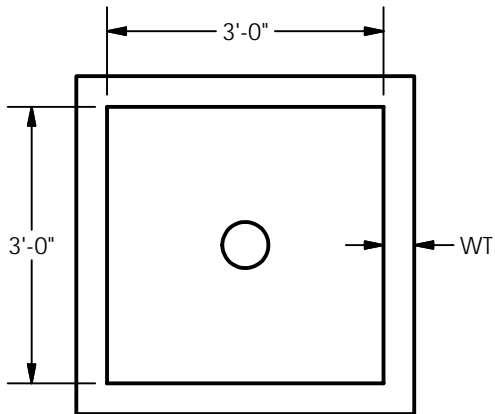


BOX

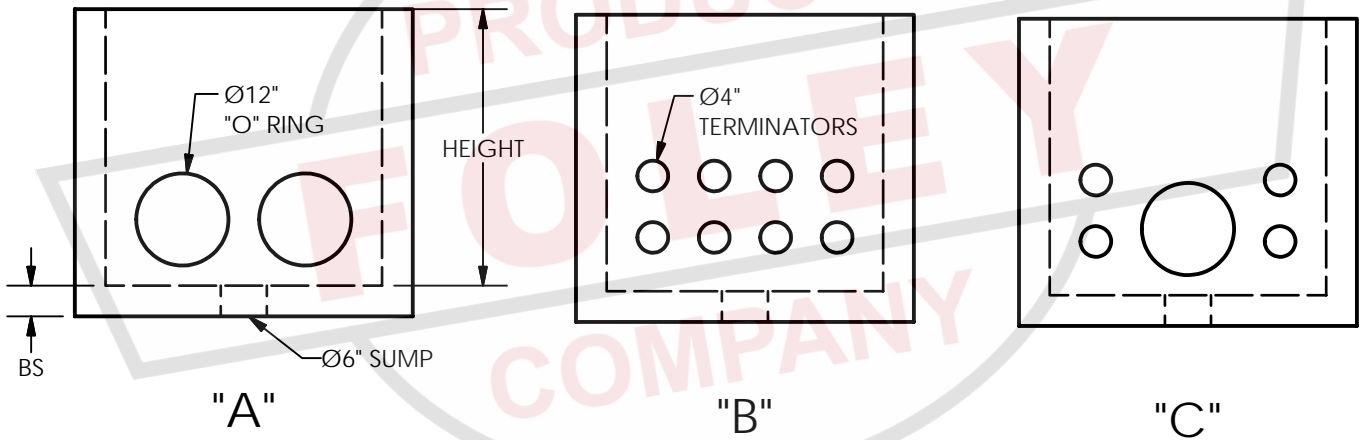
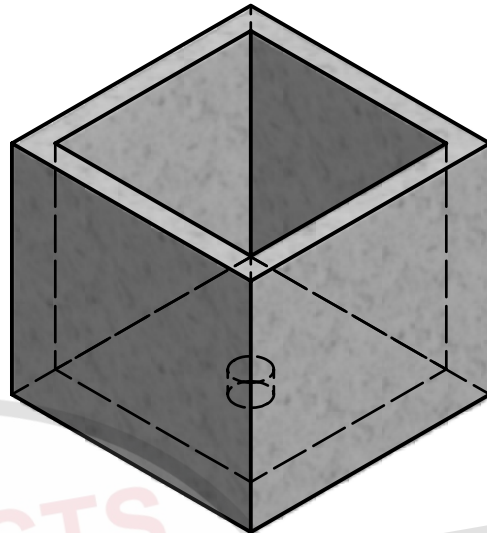
CLAMSHELL BOXES

2.13

PULL BOX TYPE	HEIGHT	WT	BS
GEORGIA POWER MODEL 303030-B	3'-0"	4"	4"
MUNICIPAL ELECTRICAL ASSOCIATION OF GEORGIA (MEAG)	4'-0"	6"	6"



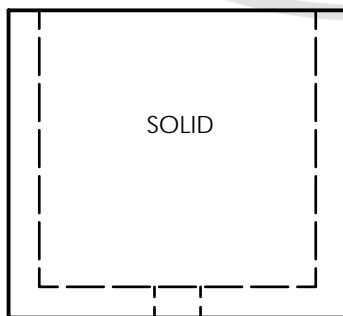
PLAN VIEW



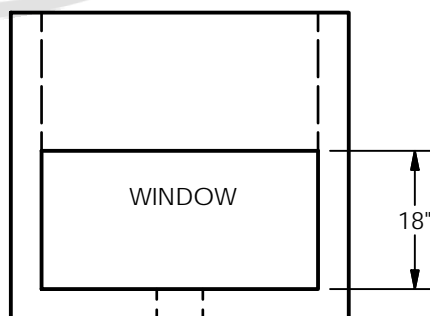
"A"

"B"

"C"



"D"



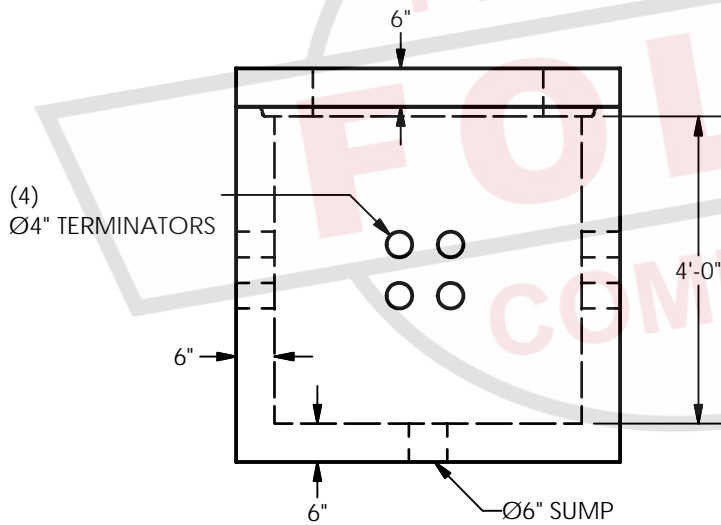
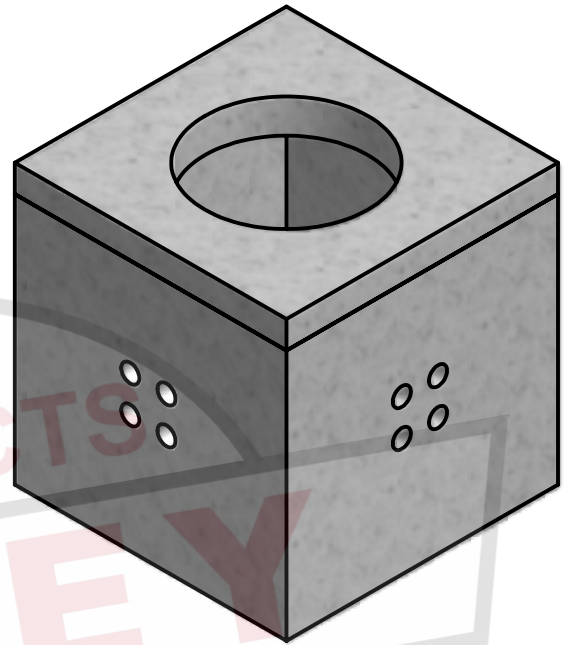
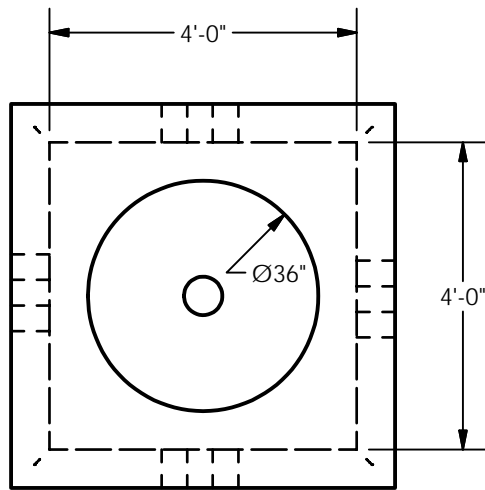
"F"



BOX

PULL BOXES

2.15



MATERIALS:

CONCRETE: 4,000 PSI, TYPE I/II CEMENT
 GRADE 60 REINFORCEMENT

NOTES:

PULL-IN-IRONS, SUMPS, INSERTS AND OTHER HARDWARE
 AVAILABLE FOR SPECIAL UTILITY APPLICATIONS

PARTS SHOWN:

5'-0" L x 5'-0" W x 6" THICK JOINTED TOP WITH Ø36"
 4'-0" L x 4'-0" W x 4'-0" H 6" WALL 6" THICK BASE
 (4) Ø4" TERMINATORS: EACH WALL



BOX

4' x 4' MANHOLE WITH TERMINATORS

2.16