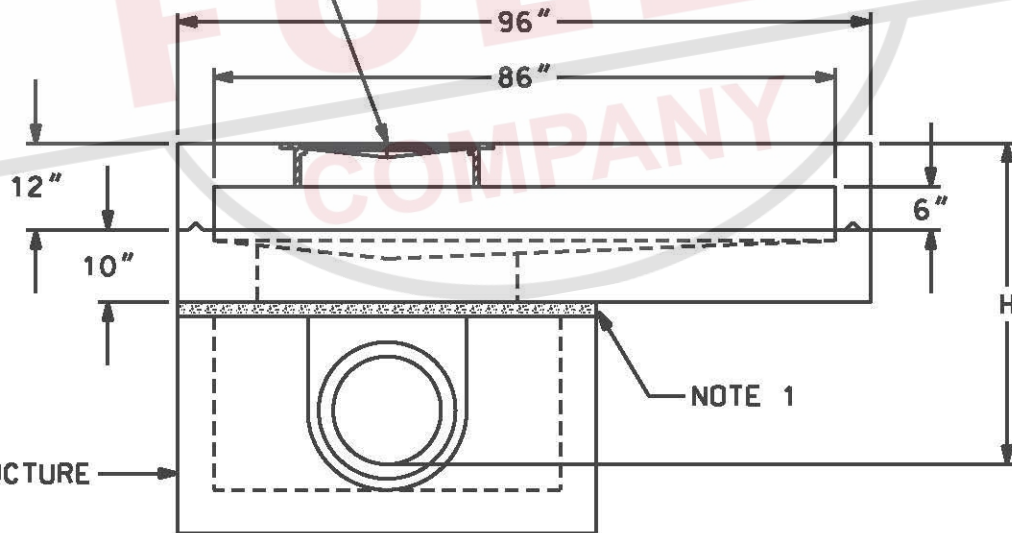


CHAT. LOGO  
EJ G1860  
CAST-IN



STORM STRUCTURE

NOTE 1

- 1) 4" OF ADJUSTMENT IF ROADWAY SLOPE IS LESS THAN 5 PERCENT  
IF ROADWAY SLOPE EXCEEDS 5 PERCENT THEN ADDITIONAL ADJUSTMENT MUST BE USED UP TO A MAXIMUM OF 8"



HERMITAGE, TN LENOIR CITY, TN  
FRANKLIN, TN CHATANOOGA, TN

PH# 1-800-737-0707

DWG# TC1-625

DATE: 09/12/08

SHEET# 1 OF 1

STORM SEWER THROATED INLET (RIGHT)

SCALE: NTS