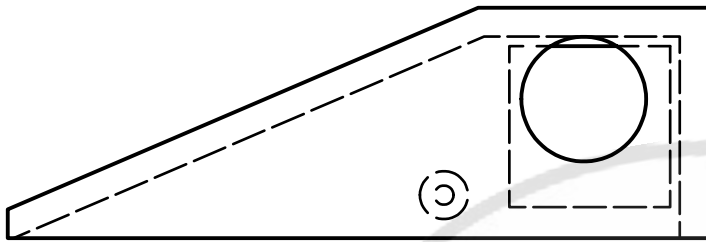
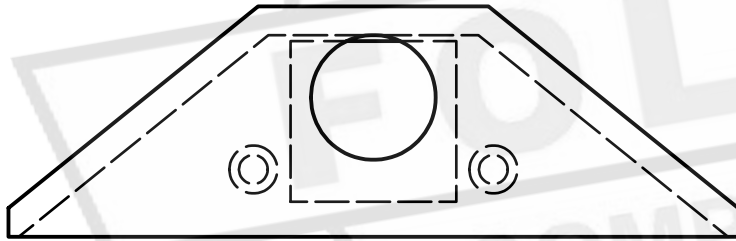


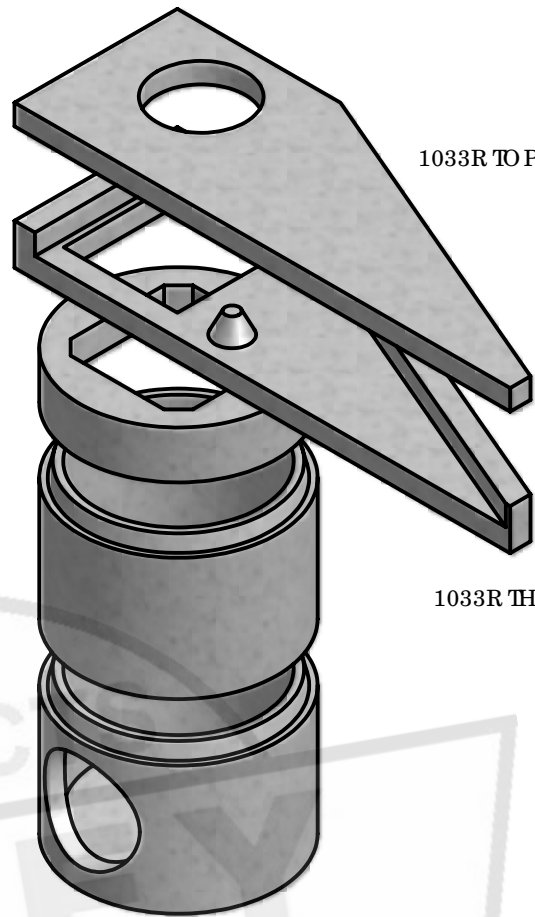
1033 RIGHTWING SPILLWAY (1033R)  
(OTHER PARTS SHOWN IN THIS PLAN VIEW)



1033 LEFTWING SPILLWAY (1033L)



1034 SPILLWAY (1034)



1033R TOP SLAB

1033R THRO AT

**MATERIALS:**

CONCRETE: 4,000 PSI, TYPE I II CEMENT  
REINFORCEMENT PER ASIM C-478

**NOTES:**

RING & COVER NOT SHOWN FOR CLARITY  
REFERENCE GA DOT STANDARD 1033 FOR REINFORCEMENT DETAILS  
SPILLWAY STACK HEIGHT IS 18"  
FLEXIBLE CONNECTORS ARE AVAILABLE

**PARTS SHOWN:**

1033 RIGHTWING TOP SLAB  
1033 RIGHTWING THRO AT  
Ø 48" ROUND TO SQUARE  
Ø 48" (5") 3'-0" RISER  
Ø 48" (5") 3'-0" BASE W/ Ø 28" HOLE



**ROUND PRECAST**

1033 & 1034 SPILLWAYS

**1.9**