

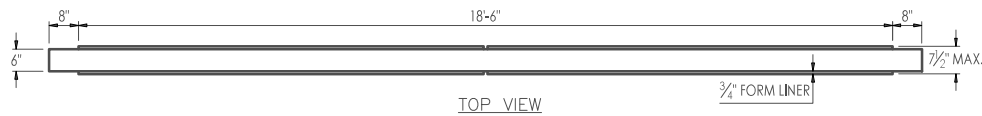
GENERAL NOTES:

1. THE PRECAST SOUND WALL WILL BE MANUFACTURED ADHERING TO GDOT SOUND BARRIER TYPE C (STANDARD DRAWING N-5), THE SPECIAL PROVISION SECTION 624 - NOISE BARRIERS AND ALTERNATE DETAILS AS NOTED ABOVE.*
2. CONCRETE CLASS AA OR SCC, $f_c = 3,500$ min. AT 28 DAYS.
3. THE PRECAST SOUND WALL WILL HAVE ASHLAR STONE FINISH ON BOTH FACES.
4. THE GRAFFITI-PROOF COATING WILL BE APPLIED ON SITE BY OTHERS ON BOTH FACES.
5. ONLY PRECAST CONCRETE PANELS WILL BE PROVIDED, ALL HARDWARE, PILES, VERTICAL AND HORIZONTAL SUPPORT PLATES, WALL PANEL CLIPS, ELASTOMERIC PAD, CLOSED CELL POLYETHYLENE ROD, DOORS, ETC. WILL BE PROVIDED ON SITE BY OTHERS.

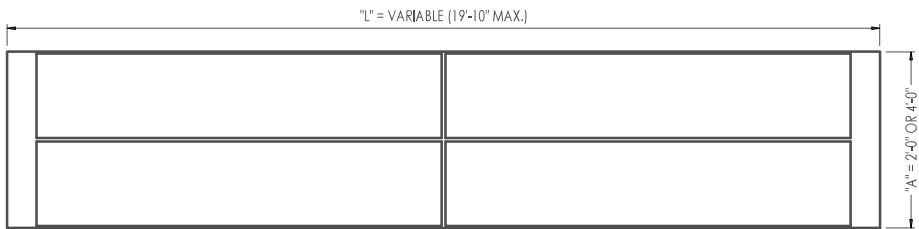
APPROX. WEIGHT:
19'-10" X 4' X 7 1/2": 3.64 TON.

NOTES:
AVAILABLE SIZES: 2, 4, AND 6 FEET HEIGHT (SHOWN: 4FT)
*LENGTH CAN VARY FOR PANEL END SECTIONS PER PROJECT REQUEST

	SOUTH BARRETT RELIVER PH3			SOUND WALL - GDOT - TYPE C	SHEET 1
	DRAWN BY: D.S.	DATE: 01-20-2025	REVISION: 1.0	6" DOUBLE LINER SOUND WALL 19'-10"X4'-0"	



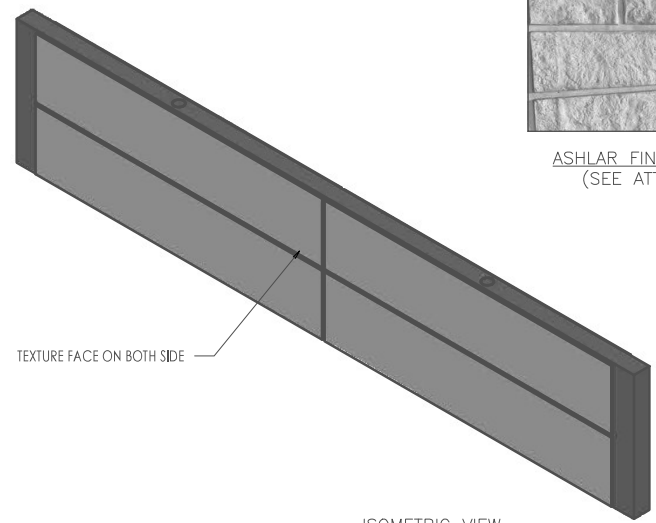
TOP VIEW



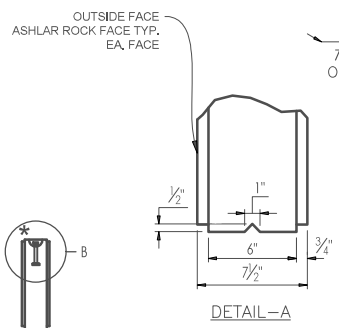
FRONT VIEW



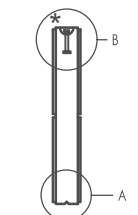
ASHLAR FINISH VISUAL REFERENCE
(SEE ATTACHED CUT SHEET)



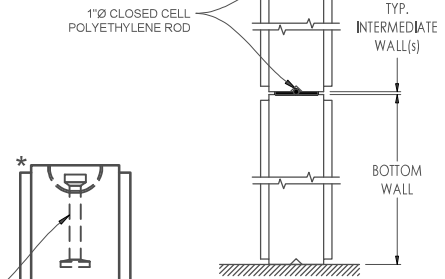
ISOMETRIC VIEW



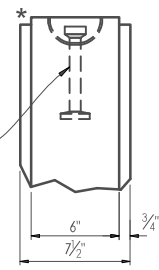
DETAIL-A



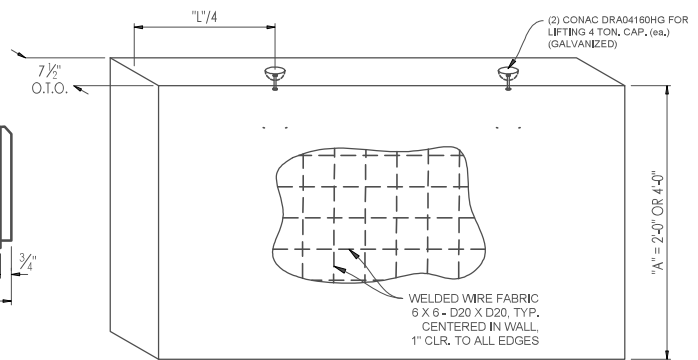
SIDE VIEW



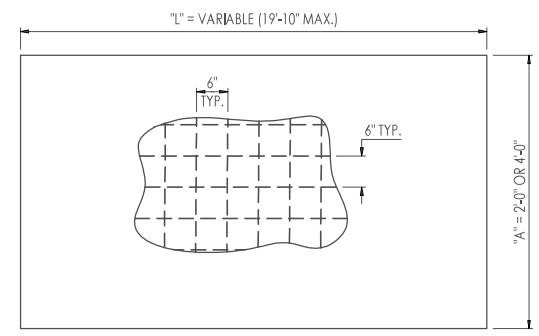
TYPICAL STACKED DETAIL SECTION



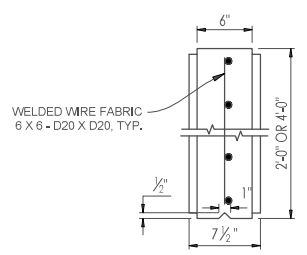
DETAIL-B



TYPICAL TOP SOUND BARRIER PANEL (N.T.S.)



TYPICAL BOTTOM SOUND BARRIER PANEL (N.T.S.)



TYPICAL SECTION THRU SOUND BARRIER PANEL
(PRECAST CONCRETE PANEL - TOP WALL SHOWN)

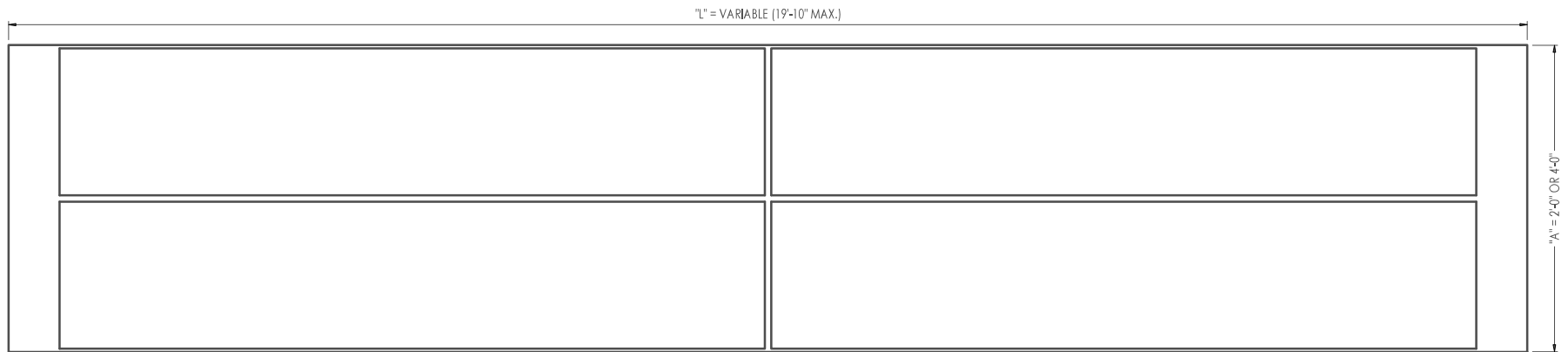
GENERAL NOTES:

1. THE PRECAST SOUND WALL WILL BE MANUFACTURED ADHERING TO GDOT SOUND BARRIER TYPE C (STANDARD DRAWING N-5), THE SPECIAL PROVISION SECTION 624 - NOISE BARRIERS AND ALTERNATE DETAILS AS NOTED ABOVE.*
2. CONCRETE CLASS AA OR SCC, $f_c = 3,500$ min. AT 28 DAYS.
3. THE PRECAST SOUND WALL WILL HAVE ASHLAR STONE FINISH ON BOTH FACES.
4. THE GRAFFITI-PROOF COATING WILL BE APPLIED ON SITE BY OTHERS ON BOTH FACES.
5. ONLY PRECAST CONCRETE PANELS WILL BE PROVIDED, ALL HARDWARE, PILES, VERTICAL AND HORIZONTAL SUPPORT PLATES, WALL PANEL CLIPS, ELASTOMERIC PAD, CLOSED CELL POLYETHYLENE ROD, DOORS, ETC. WILL BE PROVIDED ON SITE BY OTHERS.

APPROX. WEIGHT:
6" DBL. LINER PANEL: 0.047 TON/ SQ. FT.

NOTES:
AVAILABLE SIZES: 2, 4, AND 6 FEET HEIGHT (SHOWN: 6FT)
*LENGTH CAN VARY FOR PANEL END SECTIONS PER PROJECT REQUEST

	SOUTH BARRETT RELIVER PH3		SOUND WALL - GDOT - TYPE C	SHEET 2
	DRAWN BY: D.S.	DATE: 01-20-2025	REVISION: 1.0	6" DOUBLE LINER SOUND WALL - SPECIAL



FRONT VIEW

SOUND WALL #2821

PANEL DETAILS						
DIM. "L"	MARK NO.	DIM. "A"	QTY	UNIT	PANEL AREA (SQ.FT.)	
					EA.	TOTAL
19'-10"	P-C	4'-0"	111	EA	79.33	8,806.00
15'-11"	P-C1	4'-0"	5	EA	63.67	318.33
15'-11"	P-C2	2'-0"	1	EA	31.83	31.83
19'-10"	P-C3	2'-0"	5	EA	39.67	198.33
13'-8"	P-C4	4'-0"	12	EA	54.67	656.00
13'-8"	P-C5	2'-0"	1	EA	27.33	27.33
TOTAL			135			10,037.83

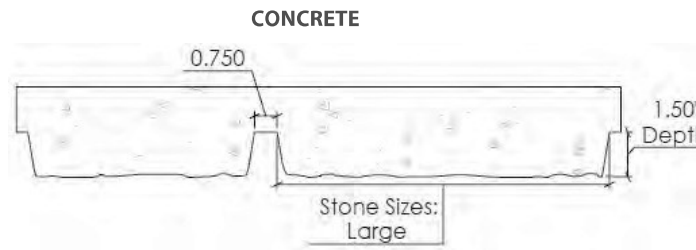
	SOUTH BARRETT RELIVER PH3			SOUND WALL - GDOT - TYPE C	SHEET 3
	DRAWN BY: D.S.	DATE: 11-14-2024	REVISION: 0.0	DOUBLE LINER SOUND WALL - COUNT	



Pattern Number: **1515**

SC Ashlar

Cut Ashlar stone 1-1/2" depth 3/4" mortar joint. Large stones in random pattern.



Visit www.specformliners.com for application guides and technical information

ThermoSpec™
SINGLE OR MULTI-USE PLASTIC

Property	HIPS	ABS
Tensile D638	3700	5300
IFlexural D7905	-	9300
Hardness D786	-	105
Material Weights - lbs/ft²		
0.070 MIL	0.110 MIL	0.150 MIL
0.393	0.621	0.843
Thicknesses Available		
0.070, 0.090, 0.110, 0.145, 0.155, 0.180		

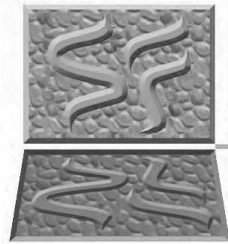
ElastoSpec Lite™ Semi-Elastomeric
MULTI-USE MATERIAL

Property	ASTM	Rating
Shore A/D	D2240	40D/90A
Tensile	D412	1900 psi
Elongation	D412	300%
Tear Strength	D2370	23 MPa
Material Weights - lbs/ft²		
Varies by Pattern		
Maximum Thickness		
1/4" + Relief		

ElastoSpec™ 100% Solid Urethane
BONDED TO 3/4" PLYWOOD

Property	ASTM	Rating
Shore A	D2240	55-65
Tensile	D412	1400 psi
Elongation	D638	600%
Tear Strength	D624	200 pli
Material Weights - lbs/ft²		
Varies by Pattern		
Maximum Thickness		
1-1/8" + Relief		

Call for ThermoSpec™ Standard Panel Sizes on this pattern. Custom Sizes and Art Panels available
ElastoSpec™ Customized Panel Sizes and Art Panels



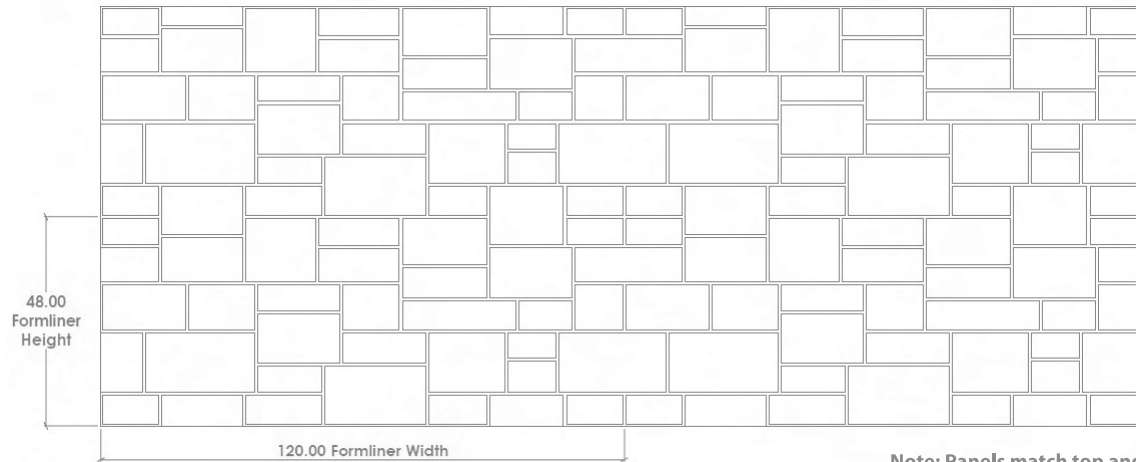
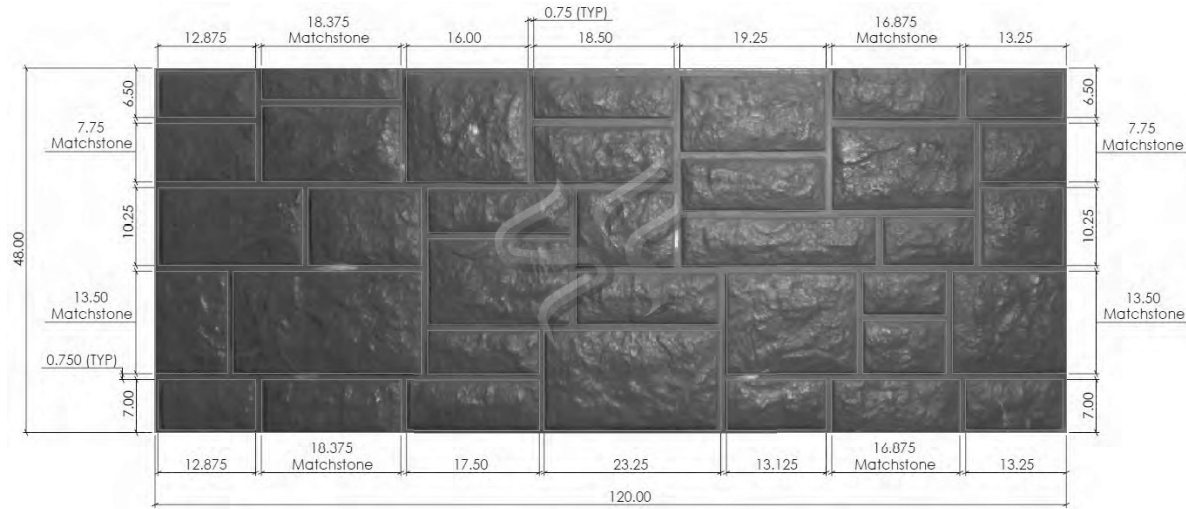
Spec Formliners, Inc.

Impressive on Concrete

Pattern Number: **1515**

SC Ashlar

Cut Ashlar stone 1-1/2" depth 3/4" mortar joint. Large stones in random pattern.



Note: Panels match top and bottom and side to side.