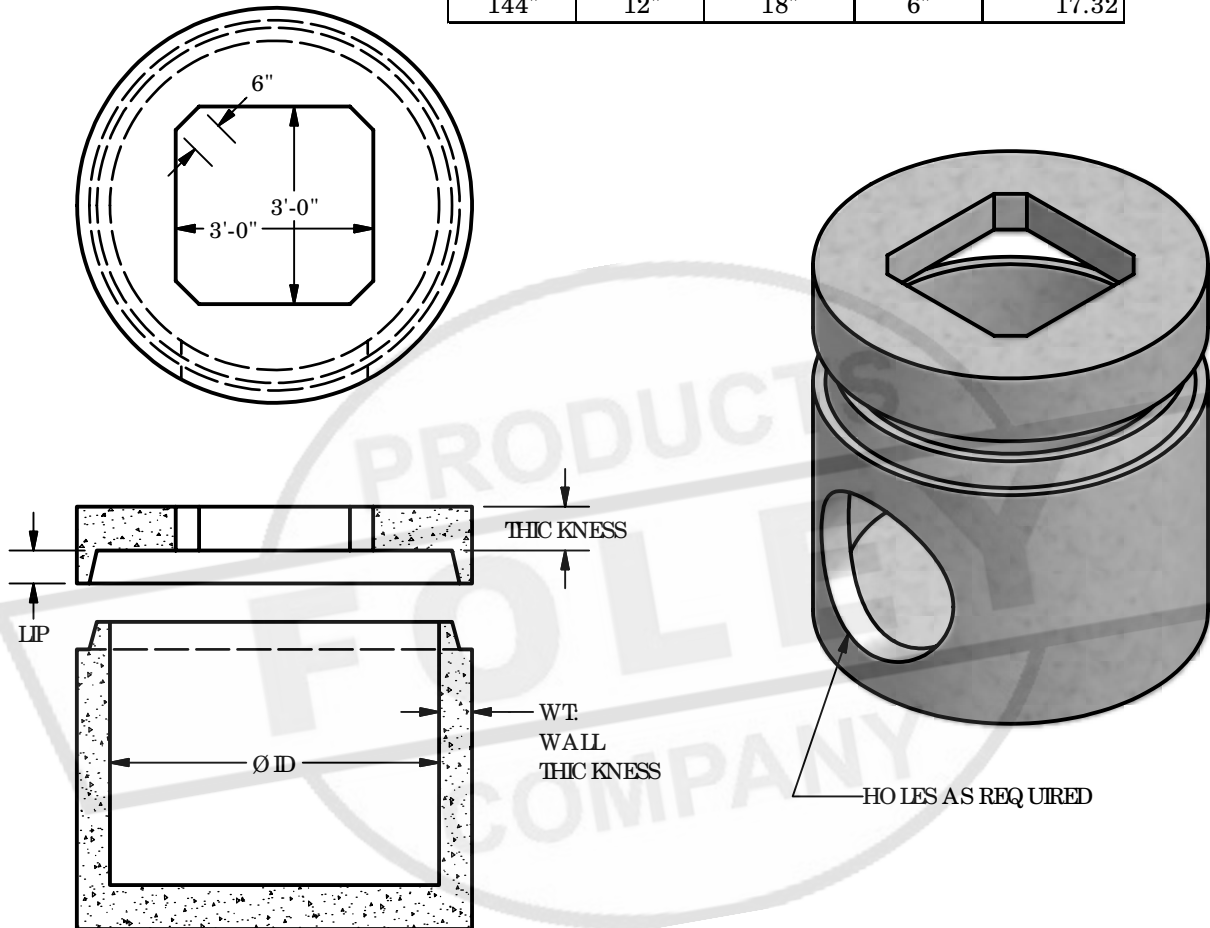


ID	WT	THICKNESS	LIP	TONS
48"	5"	8"	4 1/4"	0.92
60"	6"	12"	5"	2.12
72"	7"	12"	6"	3.03
84"	7"	12"	7"	3.93
84"	8"	12"	7"	4.09
96"	9"	16"	7 1/2"	7.09
120"	10"	18"	4"	12.03
120"	11"	18"	4"	12.37
144"	12"	18"	6"	17.32



**WHAT GOES ON TOP OF ROUND TO SQUARE ADAPTERS:**

- PEDESTAL TO PS (WEIR INLET)
- 1033 LEFT SPILLWAYS (CATCH BASIN)
- 1033 RIGHT SPILLWAYS (CATCH BASIN)
- 1034 SPILLWAYS (CATCH BASIN)
- 9031-S (SINGLE) (MEDIAN DROP INLET)
- 9031-SD (DOUBLE) (MEDIAN DROP INLET)

**MATERIALS:**

CONCRETE: 4,000 PSI, TYPE II CEMENT  
 REINFORCEMENT PER ASIM C-478

**NOTES:**

FLEXIBLE CONNECTORS ARE AVAILABLE

**PARTS SHOWN:**

- Ø 60" (6") ROUND TO SQUARE
- Ø 60" (6") 4'-0" BASE W/ Ø 34" HOLE



**ROUND PRECAST**

ROUND TO SQUARE ADAPTERS

**1.6**