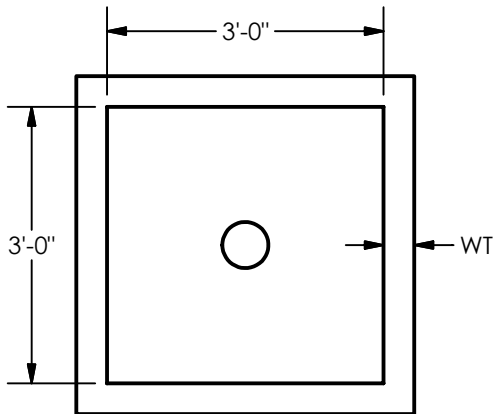
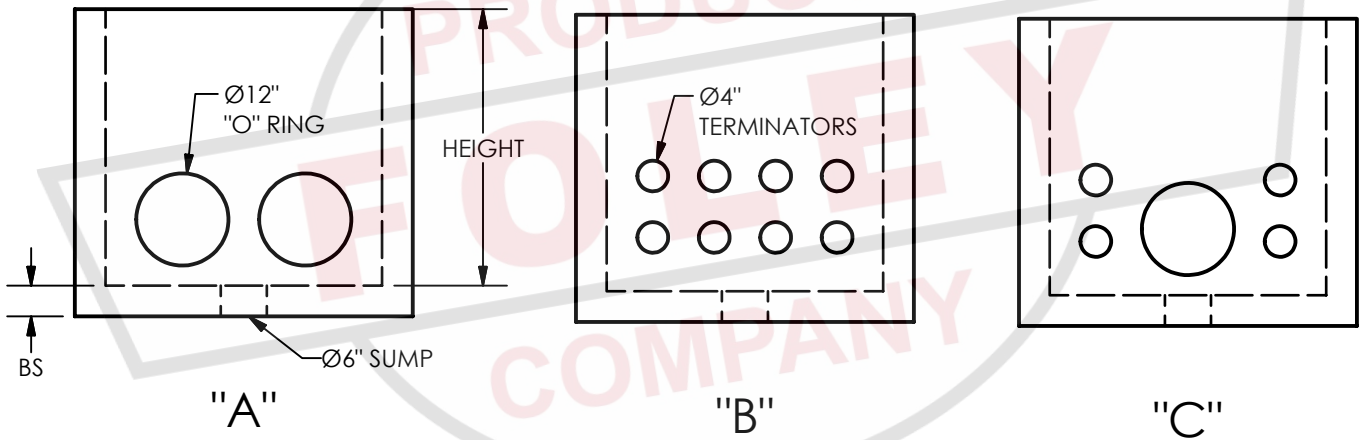
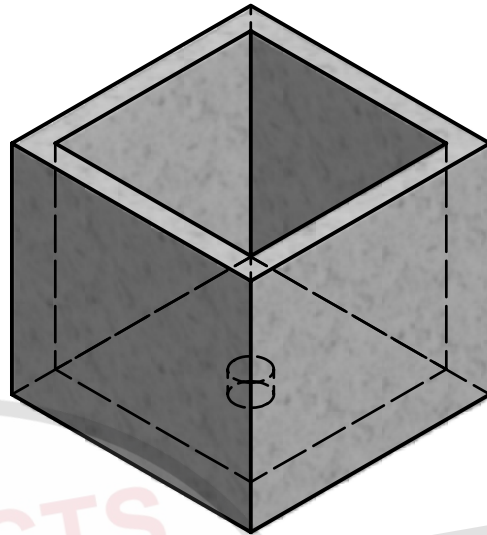


| PULL BOX TYPE                                      | HEIGHT | WT | BS |
|--|--------|----|----|
| GEORGIA POWER MODEL 303030-B                       | 3'-0"  | 4" | 4" |
| MUNICIPAL ELECTRICAL ASSOCIATION OF GEORGIA (MEAG) | 4'-0"  | 6" | 6" |



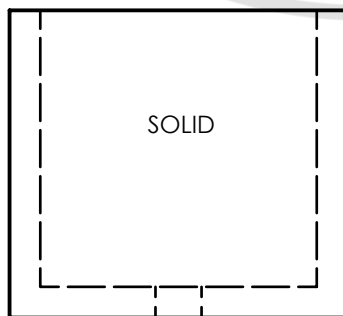
PLAN VIEW



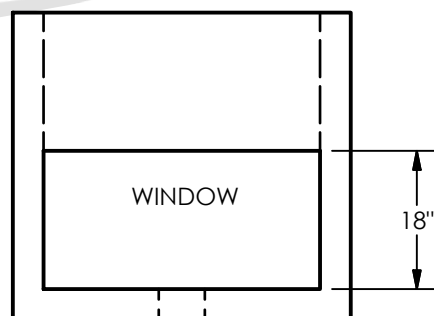
"A"

"B"

"C"



"D"



"F"



**BOX**

PULL BOXES

**2.15**