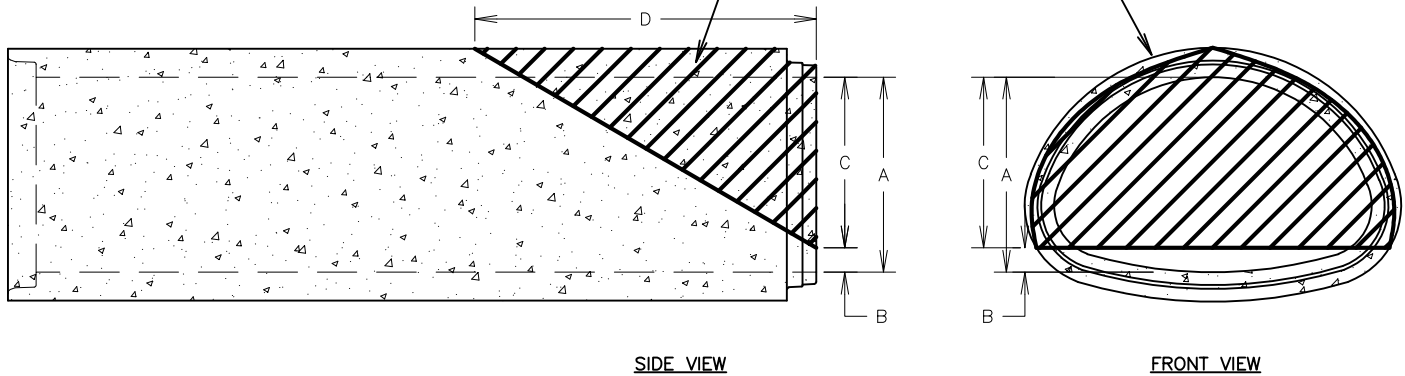


REINFORCED ARCH CONCRETE PIPE SHALL MEET ASTM C506 AND ALDOT/GDOT/TDOT STANDARDS WHERE REQUIRED.

NOTE: MITERED END SECTION TO BE SCORED DURING PLANT PRODUCTION WITH EXPOSED REINFORCEMENT AT CORRECT SLOPE. CONTRACTOR TO CUT REINFORCEMENT AND DISPOSE OF UNUSED PIECE OF MITER ONSITE.



2:1 RATIO – ARCH – MITERED END SECTIONS

11"x18"	3"	8"	16"	1,600 lbs	0.80 tons
13"x23"	3"	10"	20"	1,920 lbs	0.96 tons
18"x29"	3"	15"	30"	2,720 lbs	1.36 tons
23"x36"	3"	20"	40"	3,860 lbs	1.93 tons
27"x44"	3"	24"	48"	5,120 lbs	2.56 tons
31"x51"	3"	28"	56"	6,680 lbs	3.34 tons
36"x58"	3"	33"	66"	8,260 lbs	4.13 tons
40"x65"	3"	37"	74"	9,840 lbs	4.92 tons
45"x73"	3"	42"	84"	11,840 lbs	5.92 tons
** 54"x88"	3"	51"	102"	14,640 lbs	7.32 tons

\*\* = REQUIRES 2 STICKS OF PIPE

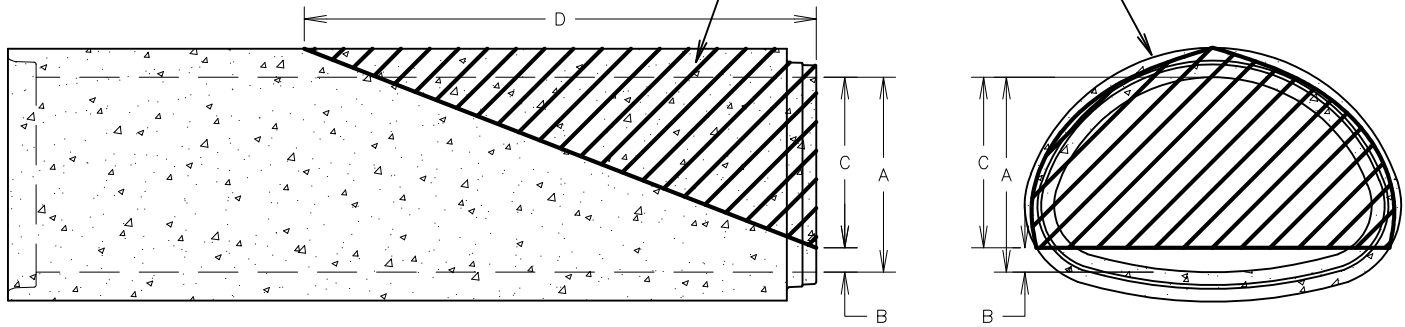


208 JEFFERSON STREET  
NEWNAN, GEORGIA 30263  
(770) 251-0296

– MITERED ENDS AVAILABLE IN EITHER GOOD/USABLE BELL OR SPIGOT  
– OTHER RATIOS AVAILABLE UPON REQUEST

REINFORCED ARCH CONCRETE PIPE SHALL MEET ASTM C506 AND ALDOT/GDOT/TDOT STANDARDS WHERE REQUIRED.

NOTE: MITERED END SECTION TO BE SCORED DURING PLANT PRODUCTION WITH EXPOSED REINFORCEMENT AT CORRECT SLOPE. CONTRACTOR TO CUT REINFORCEMENT AND DISPOSE OF UNUSED PIECE OF MITER ONSITE.



SIDE VIEW

FRONT VIEW

3:1 RATIO – ARCH – MITERED END SECTIONS

SIZE/ID	LIP	VERT CUT	LONG CUT	WT PER STICK	TONS PER STICK
A	B	C	D	E	F

11"x18"	3"	8"	24"	1,600 lbs	0.80 tons
13"x23"	3"	10"	30"	1,920 lbs	0.96 tons
18"x29"	3"	15"	45"	2,720 lbs	1.36 tons
23"x36"	3"	20"	60"	3,860 lbs	1.93 tons
27"x44"	3"	24"	72"	5,120 lbs	2.56 tons
31"x51"	3"	28"	84"	6,680 lbs	3.34 tons
** 36"x58"	3"	33"	99"	8,260 lbs	4.13 tons
** 40"x65"	3"	37"	111"	9,840 lbs	4.92 tons
** 45"x73"	3"	42"	126"	11,840 lbs	5.92 tons
** 54"x88"	3"	51"	153"	14,640 lbs	7.32 tons

\*\* = REQUIRES 2 STICKS OF PIPE

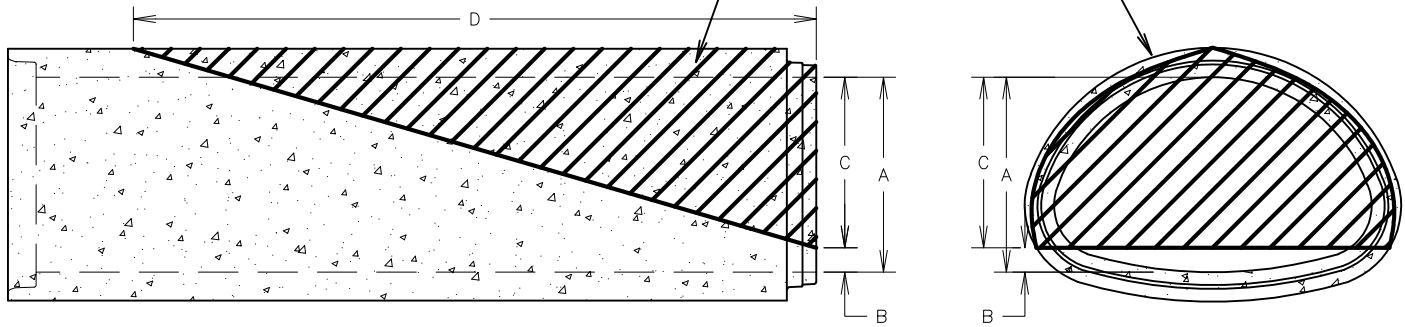


208 JEFFERSON STREET  
NEWNAN, GEORGIA 30263  
(770) 251-0296

– MITERED ENDS AVAILABLE IN EITHER GOOD/USABLE BELL OR SPIGOT  
– OTHER RATIOS AVAILABLE UPON REQUEST

REINFORCED ARCH CONCRETE PIPE SHALL MEET ASTM C506 AND ALDOT/GDOT/TDOT STANDARDS WHERE REQUIRED.

NOTE: MITERED END SECTION TO BE SCORED DURING PLANT PRODUCTION WITH EXPOSED REINFORCEMENT AT CORRECT SLOPE. CONTRACTOR TO CUT REINFORCEMENT AND DISPOSE OF UNUSED PIECE OF MITER ONSITE.



SIDE VIEW

FRONT VIEW

4:1 RATIO – ARCH – MITERED END SECTIONS

SIZE/ID	LIP	VERT CUT	LONG CUT	WT PER STICK	TONS PER STICK
A	B	C	D	E	F

	11"x18"	3"	8"	32"	1,600 lbs	0.80 tons
	13"x23"	3"	10"	40"	1,920 lbs	0.96 tons
	18"x29"	3"	15"	60"	2,720 lbs	1.36 tons
	23"x36"	3"	20"	80"	3,860 lbs	1.93 tons
	27"x44"	3"	24"	96"	5,120 lbs	2.56 tons
**	31"x51"	3"	28"	112"	6,680 lbs	3.34 tons
**	36"x58"	3"	33"	132"	8,260 lbs	4.13 tons
**	40"x65"	3"	37"	148"	9,840 lbs	4.92 tons
**	45"x73"	3"	42"	168"	11,840 lbs	5.92 tons
***	54"x88"	3"	51"	204"	14,640 lbs	7.32 tons



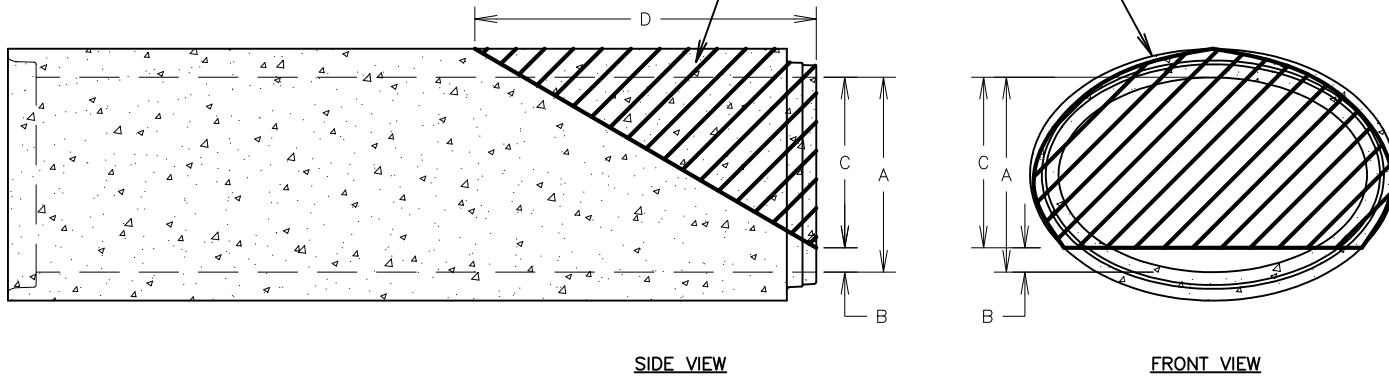
208 JEFFERSON STREET  
 NEWNAN, GEORGIA 30263  
 (770) 251-0296

\*\* = REQUIRES 2 STICKS OF PIPE  
 \*\*\* = REQUIRES 3 STICKS OF PIPE

– MITERED ENDS AVAILABLE IN EITHER GOOD/USABLE BELL OR SPIGOT  
 – OTHER RATIOS AVAILABLE UPON REQUEST

REINFORCED ELLIPTICAL CONCRETE PIPE SHALL MEET ASTM C507 AND ALDOT/FDOT/GDOT/TDOT STANDARDS WHERE REQUIRED.

NOTE: MITERED END SECTION TO BE SCORED DURING PLANT PRODUCTION WITH EXPOSED REINFORCEMENT AT CORRECT SLOPE. CONTRACTOR TO CUT REINFORCEMENT AND DISPOSE OF UNUSED PIECE OF MITER ONSITE.



2:1 RATIO – ERCP – MITERED END SECTIONS

SIZE/ID	LIP	VERT CUT	LONG CUT	WT PER STICK	TONS PER STICK
A	B	C	D	E	F

12"x18"	3"	9"	18"	1,960 lbs	0.98 tons
14"x23"	3"	11"	22"	1,960 lbs	0.98 tons
19"x30"	3"	16"	32"	3,080 lbs	1.54 tons
24"x38"	3"	21"	42"	3,600 lbs	1.80 tons
29"x45"	3"	26"	52"	5,000 lbs	2.50 tons
34"x53"	3"	31"	62"	6,520 lbs	3.26 tons
38"x60"	3"	35"	70"	8,000 lbs	4.00 tons
48"x76"	3"	45"	90"	11,800 lbs	5.90 tons

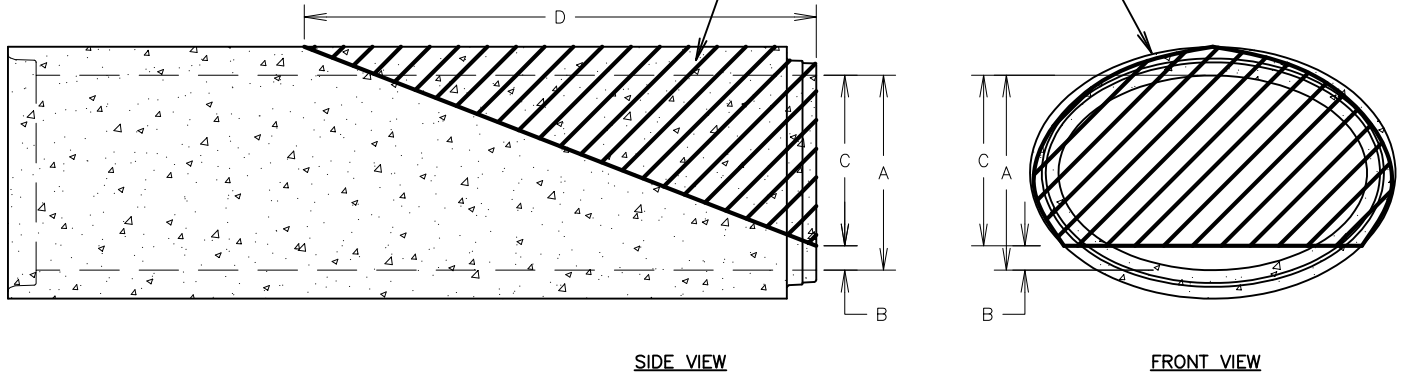


208 JEFFERSON STREET  
 NEWNAN, GEORGIA 30263  
 (770) 251-0296

– MITERED ENDS AVAILABLE IN EITHER GOOD/USABLE BELL OR SPIGOT  
 – OTHER RATIOS AVAILABLE UPON REQUEST

REINFORCED ELLIPTICAL CONCRETE PIPE SHALL MEET ASTM C507 AND ALDOT/FDOT/GDOT/TDOT STANDARDS WHERE REQUIRED.

NOTE: MITERED END SECTION TO BE SCORED DURING PLANT PRODUCTION WITH EXPOSED REINFORCEMENT AT CORRECT SLOPE. CONTRACTOR TO CUT REINFORCEMENT AND DISPOSE OF UNUSED PIECE OF MITER ONSITE.



3:1 RATIO – ERCP – MITERED END SECTIONS

SIZE/ID	LIP	VERT CUT	LONG CUT	WT PER STICK	TONS PER STICK
A	B	C	D	E	F

12"x18"	3"	9"	27"	1,960 lbs	0.98 tons
14"x23"	3"	11"	33"	1,960 lbs	0.98 tons
19"x30"	3"	16"	48"	3,080 lbs	1.54 tons
24"x38"	3"	21"	63"	3,600 lbs	1.80 tons
29"x45"	3"	26"	78"	5,000 lbs	2.50 tons
34"x53"	3"	31"	93"	6,520 lbs	3.26 tons
** 38"x60"	3"	35"	105"	8,000 lbs	4.00 tons
** 48"x76"	3"	45"	135"	11,800 lbs	5.90 tons



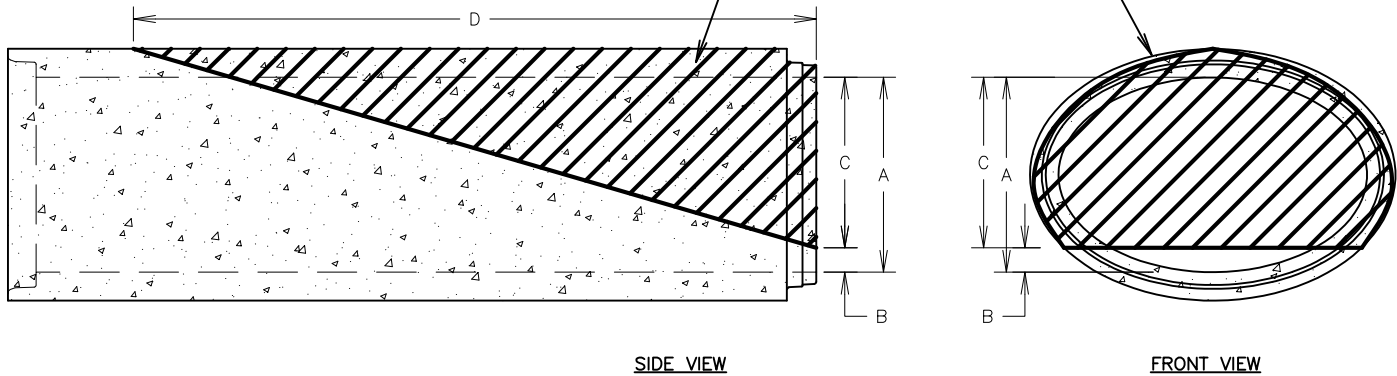
208 JEFFERSON STREET  
 NEWNAN, GEORGIA 30263  
 (770) 251-0296

\*\* = REQUIRES 2 STICKS OF PIPE  
 \*\*\* = REQUIRES 3 STICKS OF PIPE

– MITERED ENDS AVAILABLE IN EITHER GOOD/USABLE BELL OR SPIGOT  
 – OTHER RATIOS AVAILABLE UPON REQUEST

REINFORCED ELLIPTICAL CONCRETE PIPE SHALL MEET ASTM C507 AND ALDOT/FDOT/GDOT/TDOT STANDARDS WHERE REQUIRED.

NOTE: MITERED END SECTION TO BE SCORED DURING PLANT PRODUCTION WITH EXPOSED REINFORCEMENT AT CORRECT SLOPE. CONTRACTOR TO CUT REINFORCEMENT AND DISPOSE OF UNUSED PIECE OF MITER ONSITE.



4:1 RATIO – ERCP – MITERED END SECTIONS

SIZE/ID	LIP	VERT CUT	LONG CUT	WT PER STICK	TONS PER STICK
A	B	C	D	E	F

12"x18"	3"	9"	36"	1,960 lbs	0.98 tons
14"x23"	3"	11"	44"	1,960 lbs	0.98 tons
19"x30"	3"	16"	64"	3,080 lbs	1.54 tons
24"x38"	3"	21"	84"	3,600 lbs	1.80 tons
** 29"x45"	3"	26"	104"	5,000 lbs	2.50 tons
** 34"x53"	3"	31"	124"	6,520 lbs	3.26 tons
** 38"x60"	3"	35"	140"	8,000 lbs	4.00 tons
** 48"x76"	3"	45"	180"	11,800 lbs	5.90 tons

\*\* = REQUIRES 2 STICKS OF PIPE

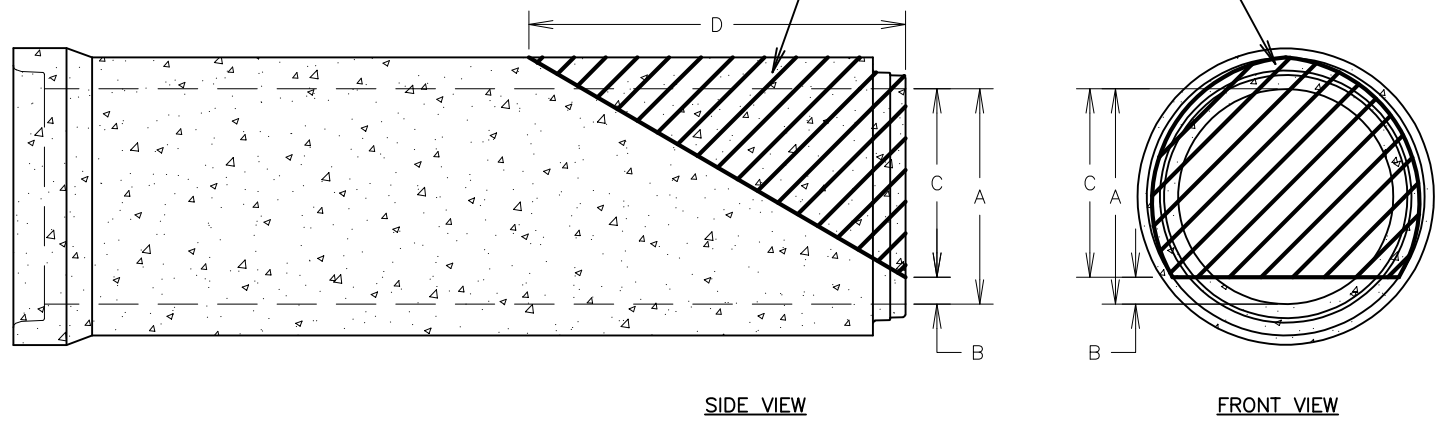


208 JEFFERSON STREET  
NEWNAN, GEORGIA 30263  
(770) 251-0296

– MITERED ENDS AVAILABLE IN EITHER GOOD/USABLE BELL OR SPIGOT  
– OTHER RATIOS AVAILABLE UPON REQUEST

REINFORCED CONCRETE PIPE SHALL MEET ASTM C76 AND ALDOT/FDOT/GDOT/TDOT STANDARDS WHERE REQUIRED.

NOTE: MITERED END SECTION TO BE SCORED DURING PLANT PRODUCTION WITH EXPOSED REINFORCEMENT AT CORRECT SLOPE. CONTRACTOR TO CUT REINFORCEMENT AND DISPOSE OF UNUSED PIECE OF MITER ONSITE.



2:1 RATIO – RCP – MITERED END SECTIONS

SIZE/ID	LIP	VERT CUT	LONG CUT	WT PER STICK	TONS PER STICK
A	B	C	D	E	F
15"	3"	12"	24"	1,220 lbs	0.61 tons
18"	3"	15"	30"	1,480 lbs	0.74 tons
24"	3"	21"	42"	2,200 lbs	1.10 tons
30"	3"	27"	54"	3,160 lbs	1.58 tons
36"	3"	33"	66"	4,140 lbs	2.07 tons
42"	3"	39"	78"	5,320 lbs	2.66 tons
48"	3"	45"	90"	6,720 lbs	3.36 tons
** 54"	3"	51"	102"	8,380 lbs	4.19 tons
** 60"	3"	57"	114"	10,200 lbs	5.10 tons
** 66"	3"	63"	126"	13,380 lbs	6.69 tons
** 72"	3"	69"	138"	14,100 lbs	7.05 tons

[C WALL]



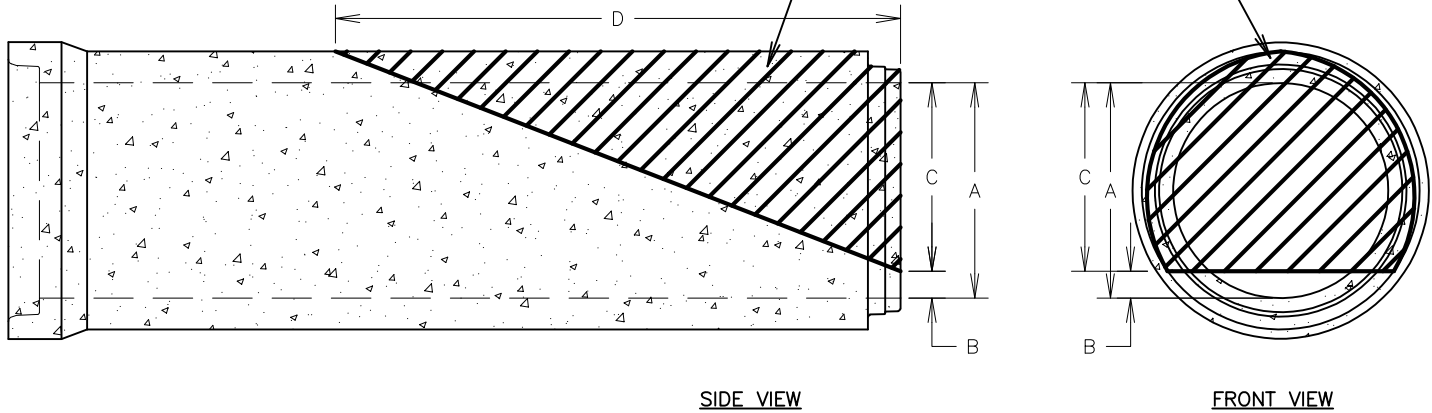
\*\* = REQUIRES 2 STICKS OF PIPE

– MITERED ENDS AVAILABLE IN EITHER GOOD/USABLE BELL OR SPIGOT  
 – OTHER RATIOS AVAILABLE UPON REQUEST

208 JEFFERSON STREET  
 NEWNAN, GEORGIA 30263  
 (770) 251-0296

REINFORCED CONCRETE PIPE SHALL MEET ASTM C76 AND ALDOT/FDOT/GDOT/TDOT STANDARDS WHERE REQUIRED.

NOTE: MITERED END SECTION TO BE SCORED DURING PLANT PRODUCTION WITH EXPOSED REINFORCEMENT AT CORRECT SLOPE. CONTRACTOR TO CUT REINFORCEMENT AND DISPOSE OF UNUSED PIECE OF MITER ONSITE.



3:1 RATIO – RCP – MITERED END SECTIONS

SIZE/ID	LIP	VERT CUT	LONG CUT	WT PER STICK	TONS PER STICK
A	B	C	D	E	F

	15"	3"	12"	36"	1,220 lbs	0.61 tons	
	18"	3"	15"	45"	1,480 lbs	0.74 tons	
	24"	3"	21"	63"	2,200 lbs	1.10 tons	
	30"	3"	27"	81"	3,160 lbs	1.58 tons	
**	36"	3"	33"	99"	4,140 lbs	2.07 tons	
**	42"	3"	39"	117"	5,320 lbs	2.66 tons	
**	48"	3"	45"	135"	6,720 lbs	3.36 tons	
**	54"	3"	51"	153"	8,380 lbs	4.19 tons	
**	60"	3"	57"	171"	10,200 lbs	5.10 tons	
**	66"	3"	63"	189"	13,380 lbs	6.69 tons	[C WALL]
***	72"	3"	69"	207"	14,100 lbs	7.05 tons	



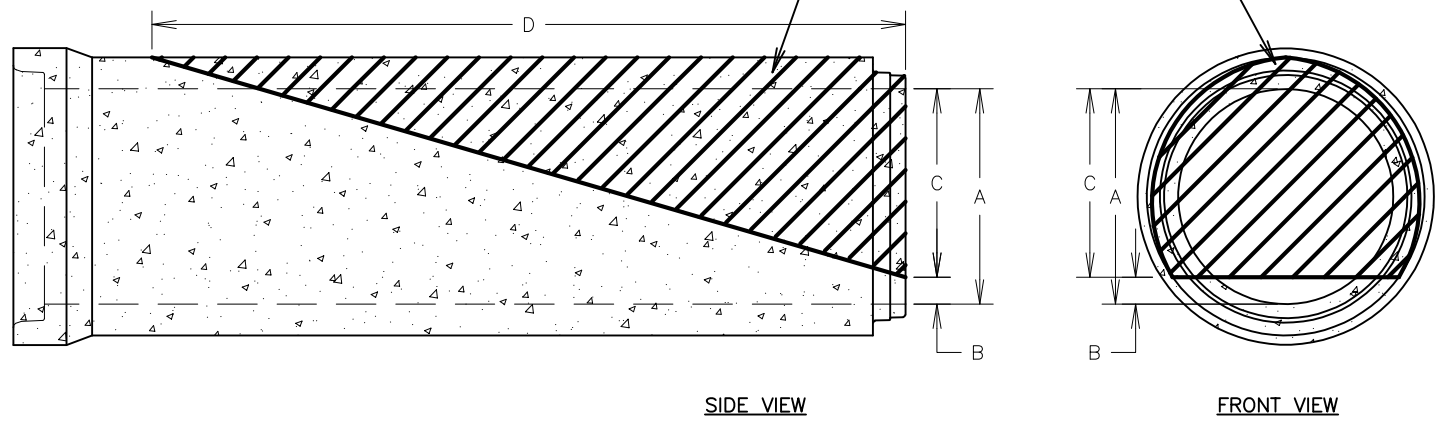
208 JEFFERSON STREET  
NEWNAN, GEORGIA 30263  
(770) 251-0296

\*\* = REQUIRES 2 STICKS OF PIPE  
\*\*\* = REQUIRES 3 STICKS OF PIPE

- MITERED ENDS AVAILABLE IN EITHER GOOD/USABLE BELL OR SPIGOT  
- OTHER RATIOS AVAILABLE UPON REQUEST

REINFORCED CONCRETE PIPE SHALL MEET ASTM C76 AND ALDOT/FDOT/GDOT/TDOT STANDARDS WHERE REQUIRED.

NOTE: MITERED END SECTION TO BE SCORED DURING PLANT PRODUCTION WITH EXPOSED REINFORCEMENT AT CORRECT SLOPE. CONTRACTOR TO CUT REINFORCEMENT AND DISPOSE OF UNUSED PIECE OF MITER ONSITE.



4:1 RATIO – RCP – MITERED END SECTIONS

SIZE/ID	LIP	VERT CUT	LONG CUT	WT PER STICK	TONS PER STICK
A	B	C	D	E	F

	15"	3"	12"	48"	1,220 lbs	0.61 tons	
	18"	3"	15"	60"	1,480 lbs	0.74 tons	
	24"	3"	21"	84"	2,200 lbs	1.10 tons	
**	30"	3"	27"	108"	3,160 lbs	1.58 tons	
**	36"	3"	33"	132"	4,140 lbs	2.07 tons	
**	42"	3"	39"	156"	5,320 lbs	2.66 tons	
**	48"	3"	45"	180"	6,720 lbs	3.36 tons	
***	54"	3"	51"	204"	8,380 lbs	4.19 tons	
***	60"	3"	57"	228"	10,200 lbs	5.10 tons	
***	66"	3"	63"	252"	13,380 lbs	6.69 tons	[C WALL]
***	72"	3"	69"	276"	14,100 lbs	7.05 tons	



\*\* = REQUIRES 2 STICKS OF PIPE  
 \*\*\* = REQUIRES 3 STICKS OF PIPE

– MITERED ENDS AVAILABLE IN EITHER GOOD/USABLE BELL OR SPIGOT  
 – OTHER RATIOS AVAILABLE UPON REQUEST

208 JEFFERSON STREET  
 NEWNAN, GEORGIA 30263  
 (770) 251-0296