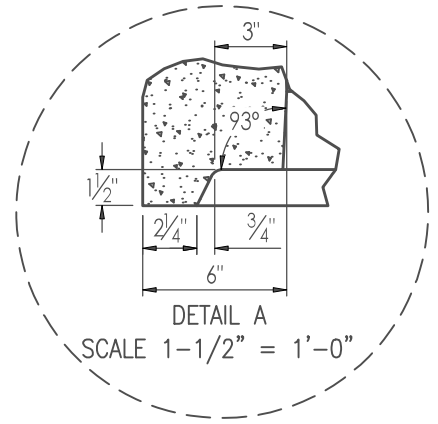


PLAN VIEW

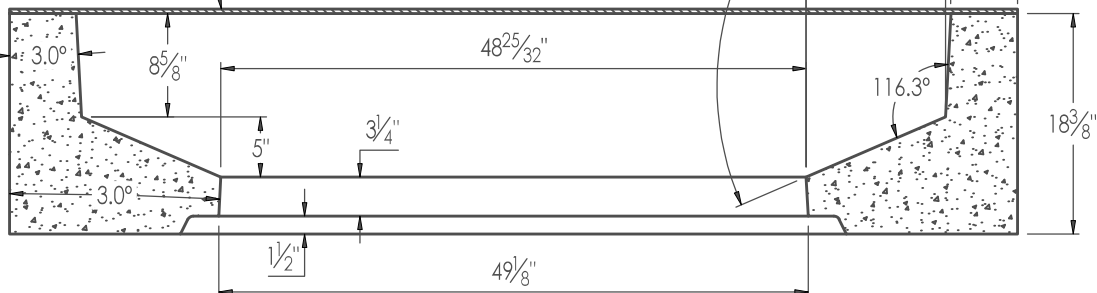
SCALE 1/2" = 1'-0"



DETAIL A

SCALE 1-1/2" = 1'-0"

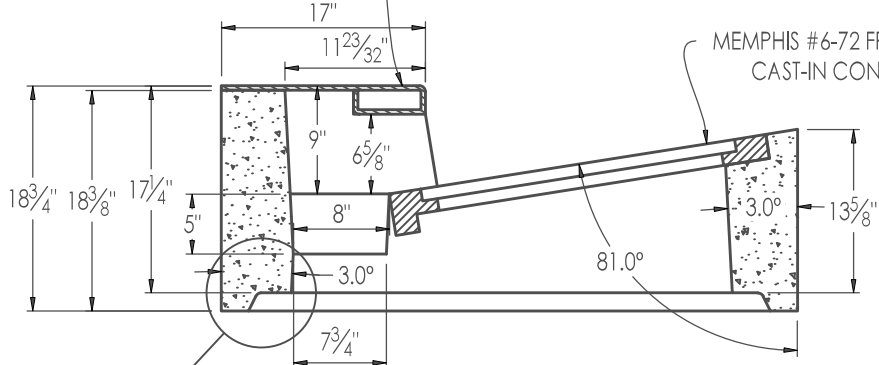
MEMPHIS/ SHELBY Co. APPROVED CURB PLATE W/ (6) -1/2" Ø BOLTS & ANCHORS



SECTION A-A

SCALE 3/4" = 1'-0"

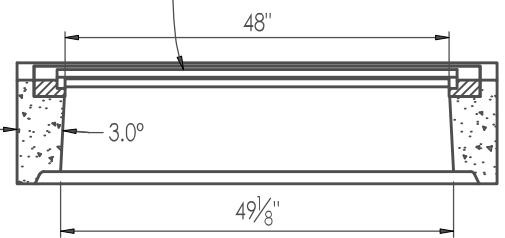
MEMPHIS/ SHELBY Co. APPROVED CURB PLATE W/ (6) -1/2" Ø BOLTS & ANCHORS



SECTION B-B

SCALE 3/4" = 1'-0"

MEMPHIS #6-72 FRAME & GRATE CAST-IN CONCRETE TOP



SECTION C-C

SCALE 1/2" = 1'-0"

NOTES:

1. REFER to TDOT STANDARD PLANS, SHEET D-CB-25P & D-RF-1 FOR ADDITIONAL INFORMATION.
2. SEE SHEET 1.1 & 1.2 FOR REINFORCEMENT DETAILS.
3. CONCRETE: 4,000 PSI, TYPE I/II CEMENT.
4. STEEL REINFORCEMENT: ASTM GRADE 60

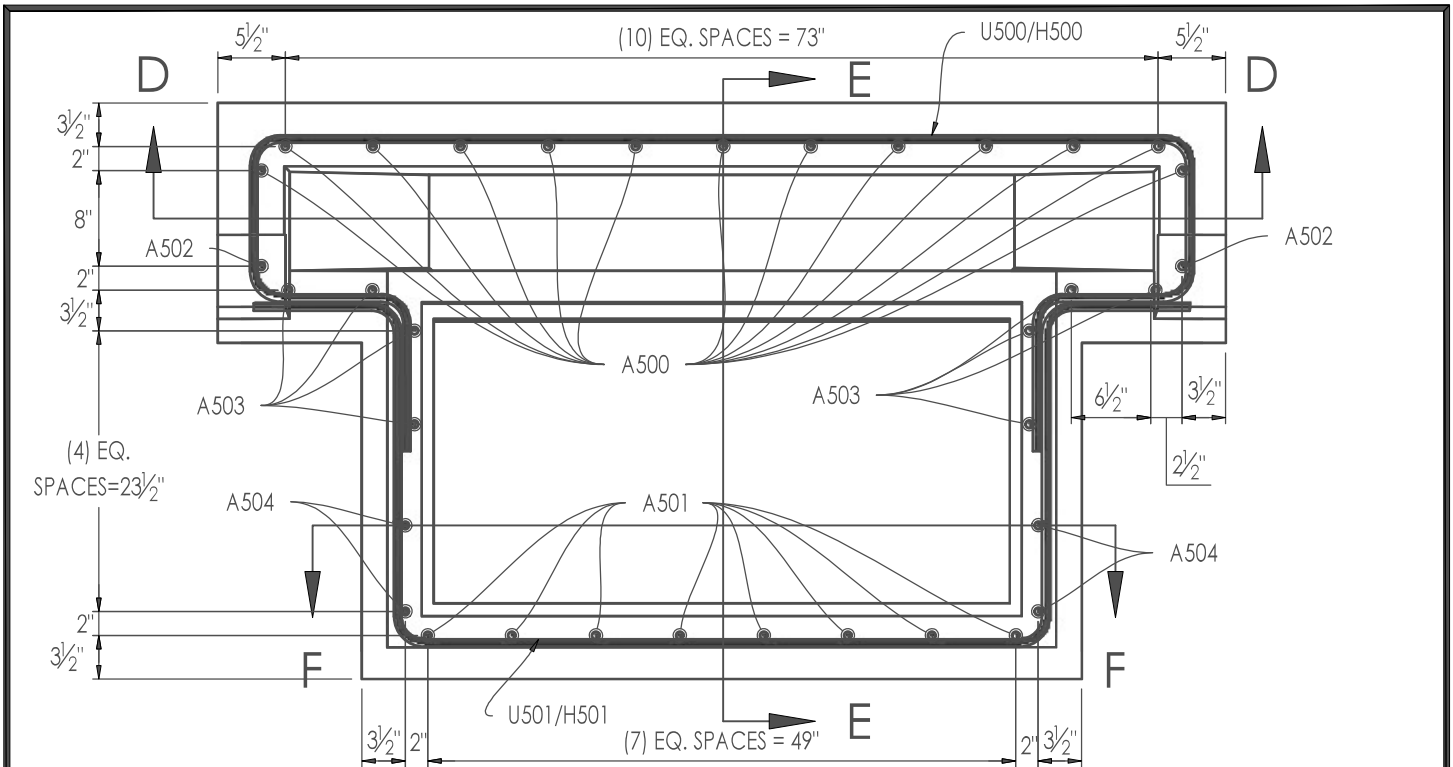
APPROXIMATED WEIGHT:
TOP: 1.40 TON



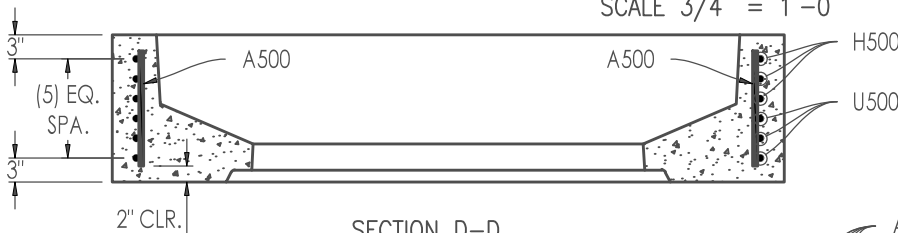
TDOT - CURB INLET

MEMPHIS #6-72 SINGLE INLET TOP (3' x 4')

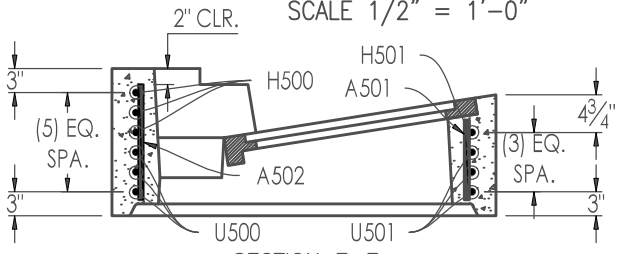
1.0



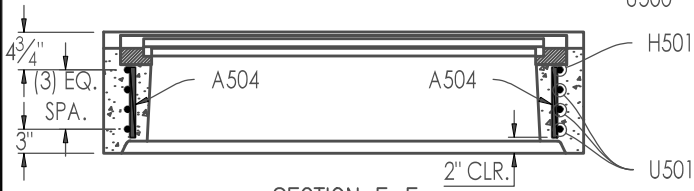
PLAN VIEW
SCALE 3/4" = 1'-0"



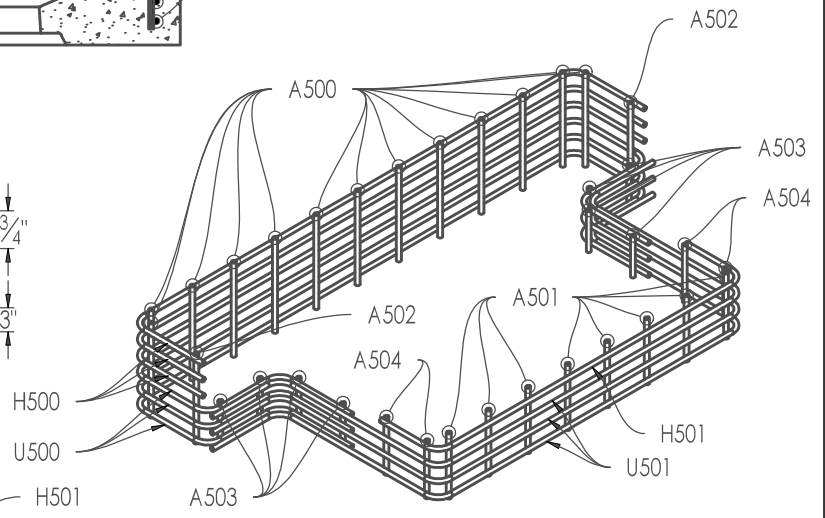
SECTION D-D
SCALE 1/2" = 1'-0"



SECTION E-E
SCALE 1/2" = 1'-0"



SECTION F-F
SCALE 1/2" = 1'-0"



REINFORCEMENT ISO VIEW
SCALE 1/2" = 1'-0"

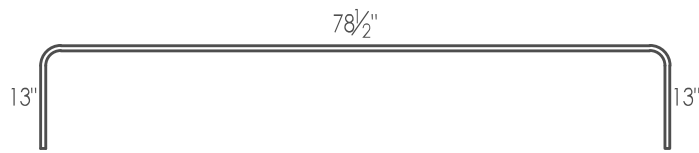
APPROXIMATED WEIGHT:
TOP: 1.40 TON

- NOTES:
1. REFER TO TDOT STANDARD PLANS, SHEET D-CB-25P & D-RF-1 FOR ADDITIONAL INFORMATION.
 2. SEE SHEET 1.1 & 1.2 FOR REINFORCEMENT DETAILS.
 3. CONCRETE: 4,000 PSI, TYPE I/II CEMENT.
 4. STEEL REINFORCEMENT: ASTM GRADE 60

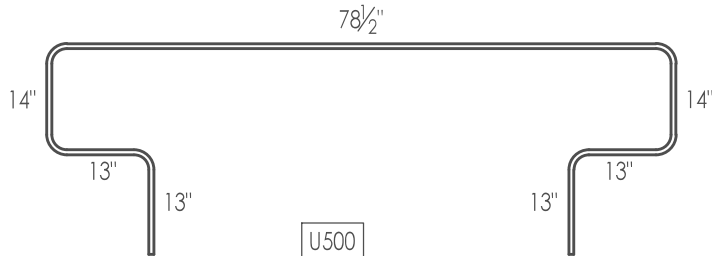


TDOT - CURB INLET

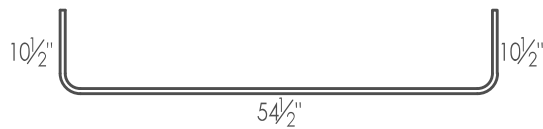
MEMPHIS #6-72 SINGLE INLET TOP -REINF. DETAIL



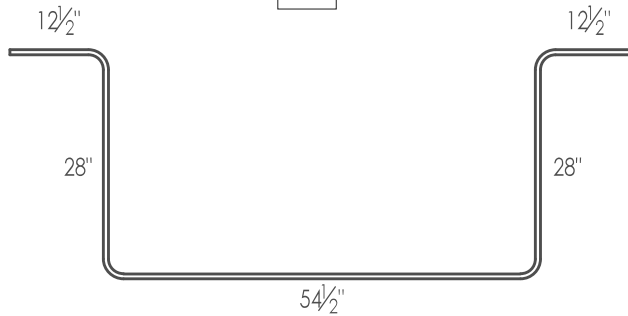
H500



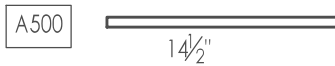
U500



H501



U501



REBAR CUT LIST				
BAR #	SIZE	QTY	LENGTH	WEIGHT
		(ea)	(in.)	(lb)
A500	5	13	14 1/2	16.4
A501	5	8	10	7.0
A502	5	2	14	2.4
A503	5	8	6 1/2	4.5
A504	5	4	9	3.1
H500	5	3	104 1/2	27.2
H501	5	1	75 1/2	6.6
U500	5	3	158 1/2	41.3
U501	5	3	135 1/2	35.3
TOTAL				143.9



TDOT - CURB INLET

MEMPHIS#6-72 SINGLE INLET TOP -REIN. SCHEDULE

1.2