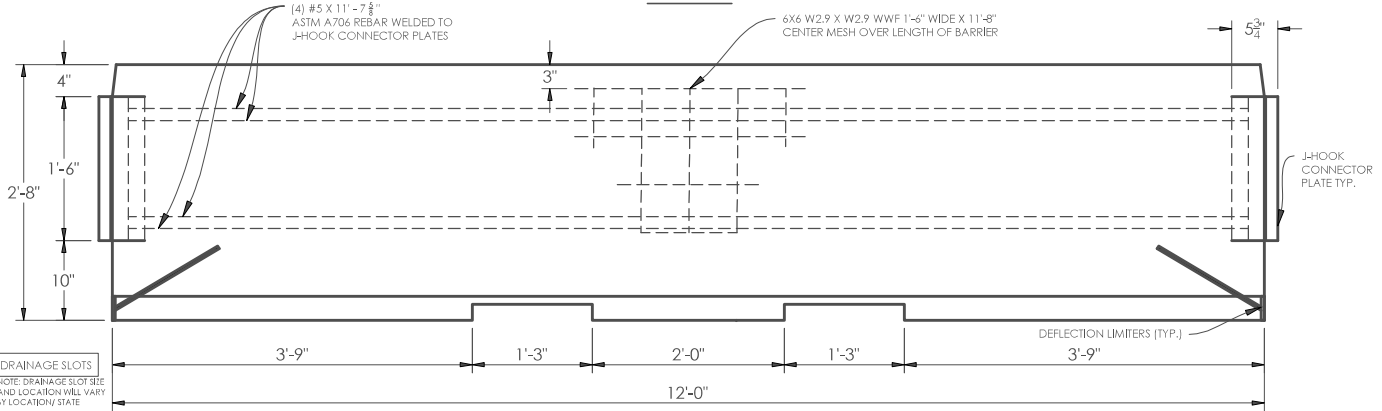
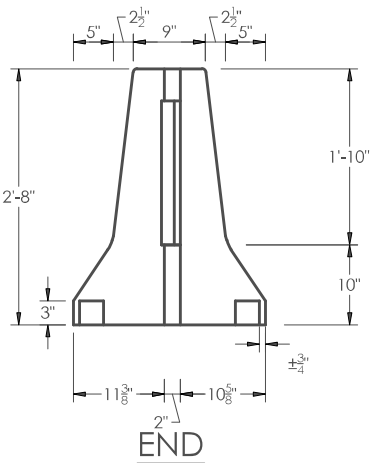


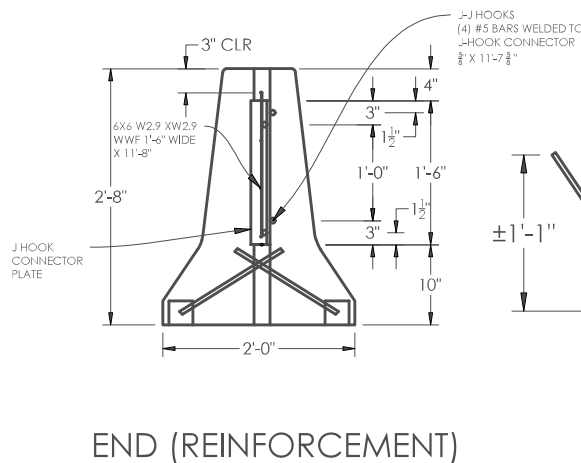
**PLAN**



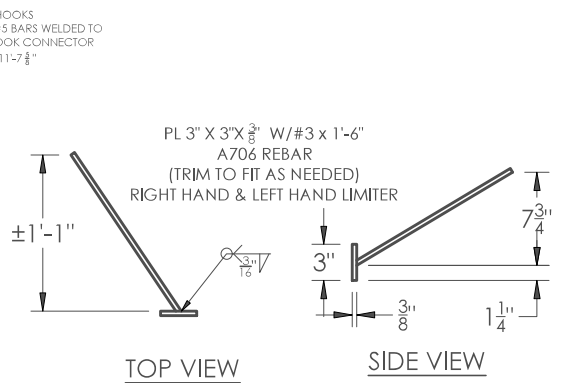
**ELEVATION**



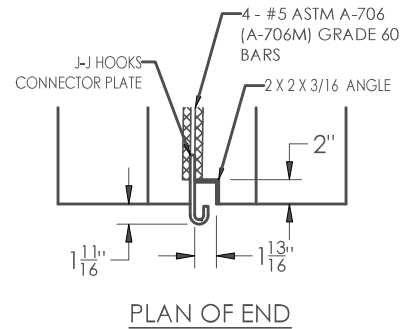
**END**



**END (REINFORCEMENT)**



**DEFLECTION LIMITER**



**PLAN OF END**

**NOTES:**

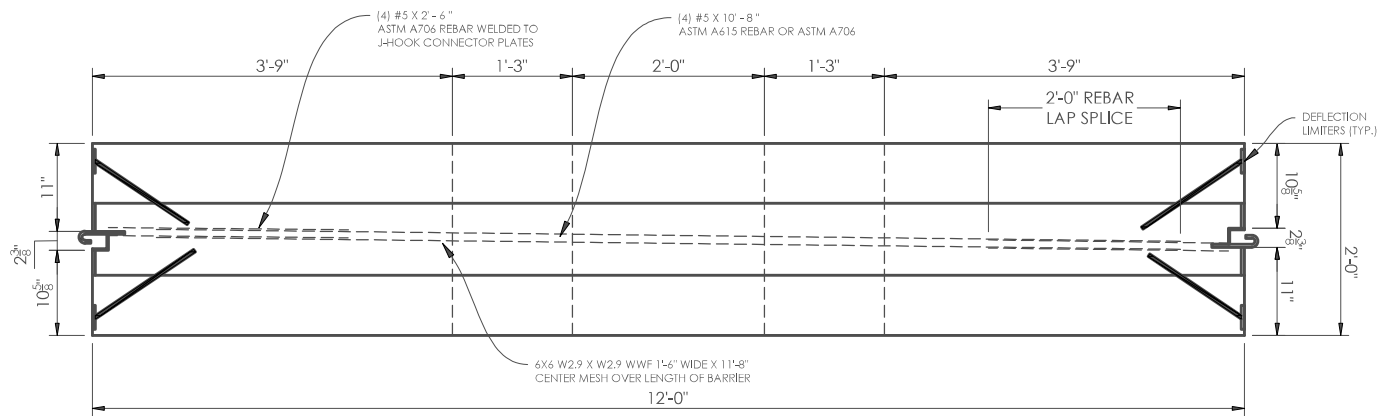
1. CONCRETE: CLASS AA CONCRETE 4,000 PSI. MIN. COMPRESSION STRENGTH IN 28 DAYS
2. DESIGN: MASH TL-3,  
J-J HOOKS IS A CRASH TESTED AND OPERATIONAL DESIGN FOR USE ON ALL FEDERAL-AID HIGHWAY PROJECTS.
3. APPLICABLE SHAPE: F SHAPE.
4. DRAINAGE SLOTS WILL VARY IN SIZE AND LOCATION DEPENDING ON STATE DOT STANDARDS.
5. BARRIER MARKING: MARK TOP OF BARRIER AS FOLLOWS: **MASH 2022 MFD: YEAR**
6. A TRANSITION PIECE BETWEEN A J-J HOOK BARRIER AND ANOTHER SUCCESSFULLY TESTED CONNECTION IS ACCEPTABLE.
7. NOTICE: THIS PRODUCT CONTAINS PROPRIETARY FEATURES WHICH ARE PROTECTED BY ONE OR MORE U.S. PATENTS

APPROXIMATE WEIGHTS:  
MEDIAN BARRIER: 5450 lb

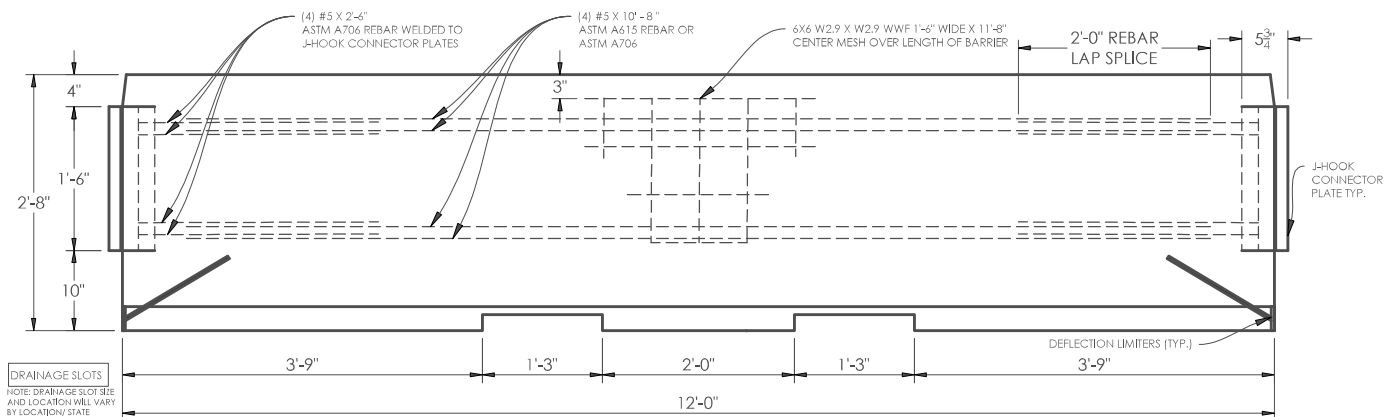


DWG. NO.	FREESTANDING MEDIAN BARRIER	TITLE	FOLEY PRODUCTS SUBMITTAL DRAWING
SCALE	1/2" = 1'-0"	CATALOG .DWG	12' FREESTANDING MEDIAN BARRIER

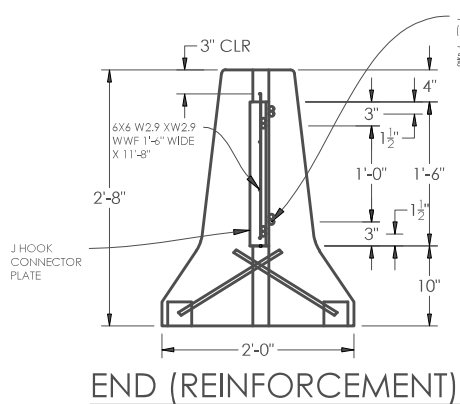
DATE	12-14-2021	DRAWN BY	DS	SHEET	1 OF 2
------	------------	----------	----	-------	--------



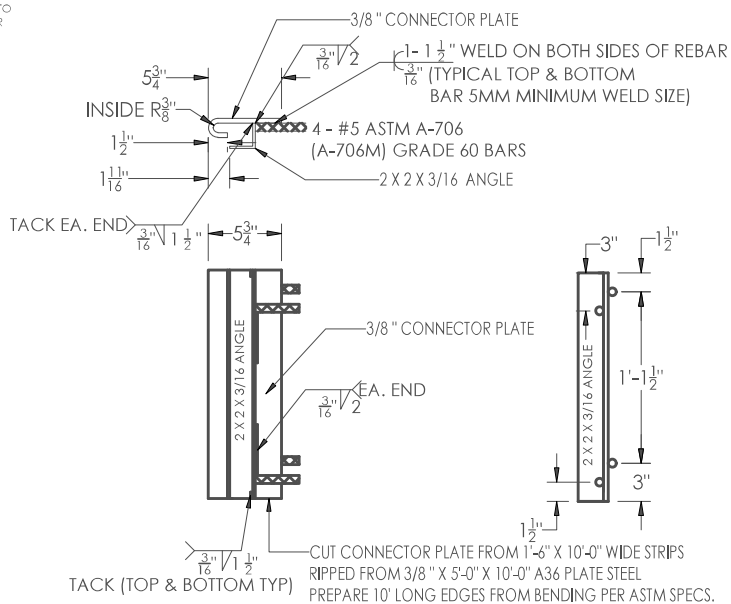
PLAN VIEW - ALTERNATE REINFORCING



ELEVATION - ALTERNATE REINFORCING



END (REINFORCEMENT)



J - J HOOK CONNECTOR PLATE DETAIL  
SCALE: N.T.S

APPROXIMATED WEIGHT:  
MEDIAN BARRIER: 5450 LB

	DWG. NO.	FREESTANDING MEDIAN BARRIER	TITLE	FOLEY PRODUCTS SUBMITTAL DRAWING		
	SCALE	1/2" = 1'-0"	CATALOG .DWG	12' FREESTANDING MEDIAN BARRIER (ALTERNATE)		
			DATE	DRAWN BY	SHEET	
			12-14-2021	DS	2 OF 2	