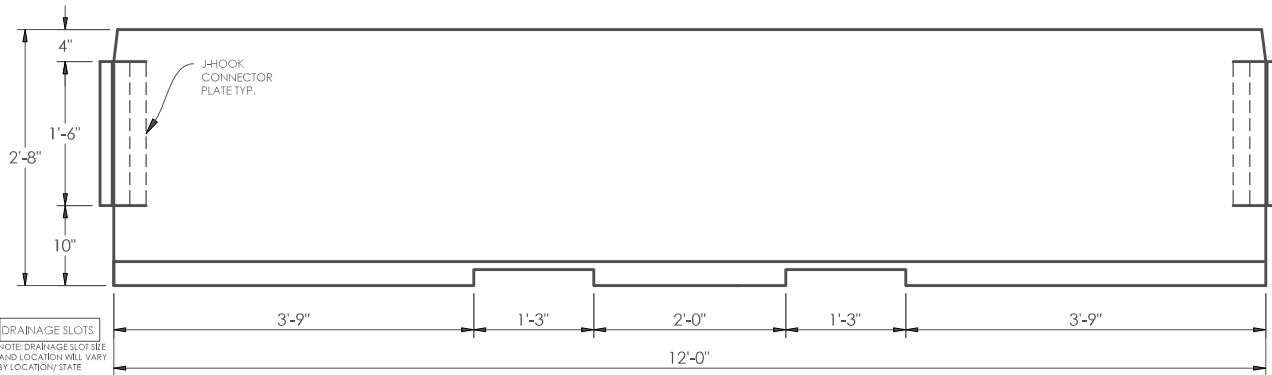
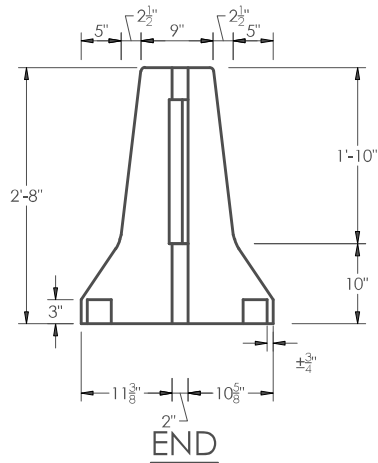


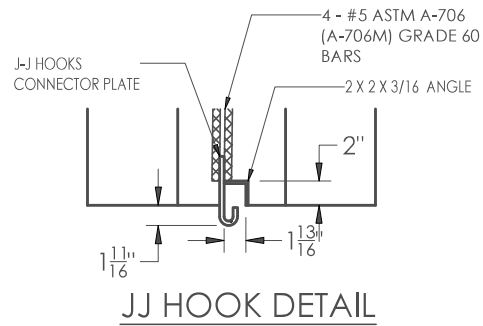
PLAN



ELEVATION



END



JJ HOOK DETAIL

NOTES:

1. CONCRETE: CLASS AA CONCRETE 4,000 PSI. MIN. COMPRESSION STRENGTH IN 28 DAYS
2. DESIGN: MASH TL-3,
J-J HOOKS IS A CRASH TESTED AND OPERATIONAL DESIGN FOR USE ON ALL FEDERAL-AID HIGHWAY PROJECTS.
3. APPLICABLE SHAPE: F SHAPE.
4. DRAINAGE SLOTS WILL VARY IN SIZE AND LOCATION DEPENDING ON STATE DOT STANDARDS.
5. BARRIER MARKING: MARK TOP OF BARRIER AS FOLLOWS: **MASH 2022 MFD: YEAR**
6. A TRANSITION PIECE BETWEEN A J-J HOOK BARRIER AND ANOTHER SUCCESSFULLY TESTED CONNECTION IS ACCEPTABLE.
7. NOTICE: THIS PRODUCT CONTAINS PROPRIETARY FEATURES WHICH ARE PROTECTED BY ONE OR MORE U.S. PATENTS

APPROXIMATE WEIGHTS:
MEDIAN BARRIER: 5450 lb



JJ HOOK MEDIAN BARRIER
 GDOT F-SHAPE (MASH STANDARD)
 12' FREESTANDING BARRIER METHOD 1

X.X