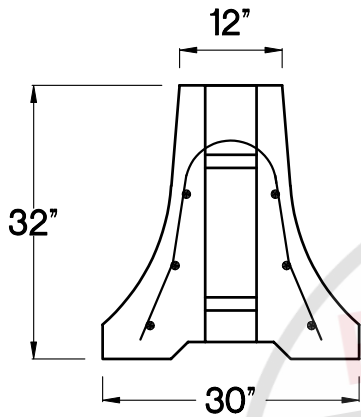
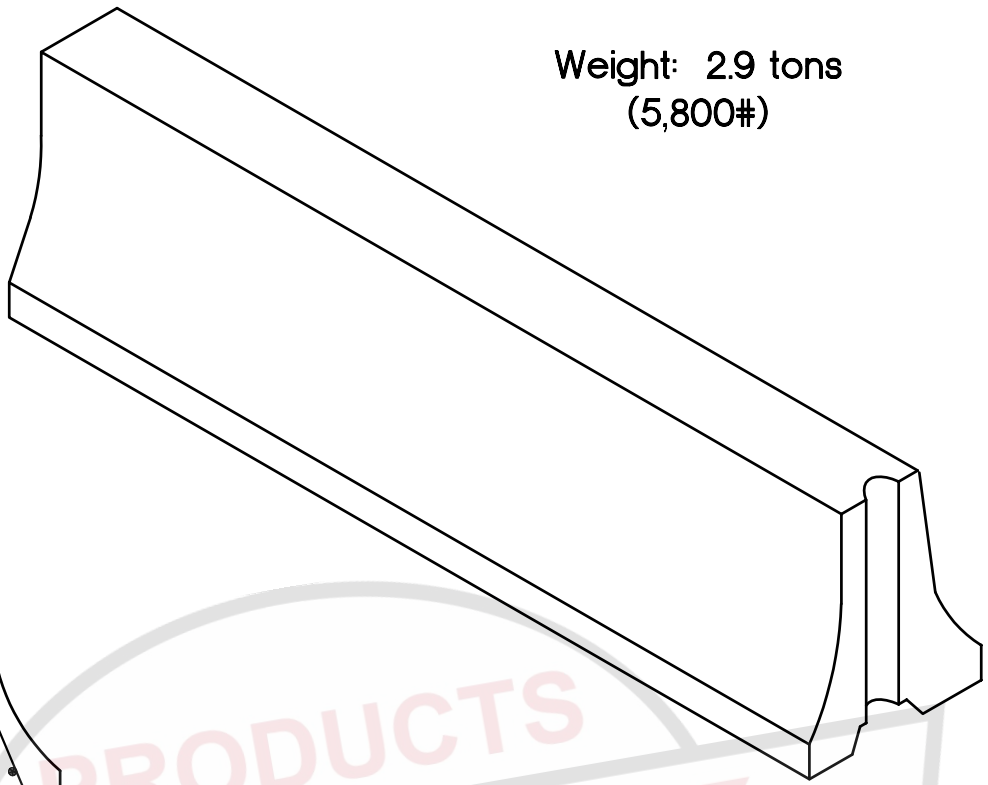
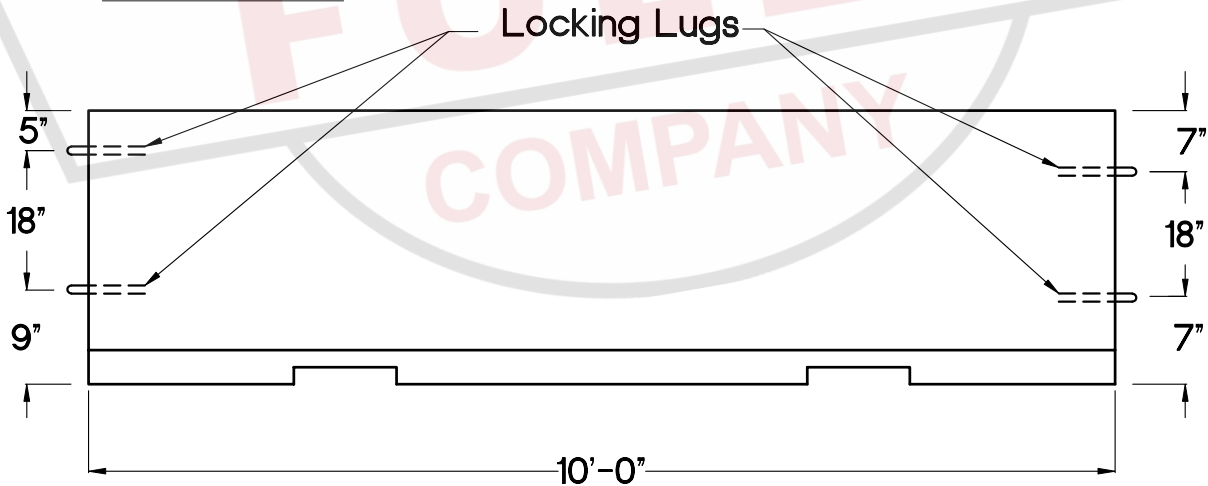


Customer to
Offload with
Forklift

Weight: 2.9 tons
(5,800#)



End Elevation



Side Elevation



208 JEFFERSON STREET
NEWNAN, GEORGIA 30263
(770) 251-0296

Georgia DOT 4961 Precast Temporary Barriers

SECTION	GEORGIA D.O.T.	DATE	10-07-01	REVISION	
SCALE	NTS	DRAWN BY	DRM	PAGE #	4-18