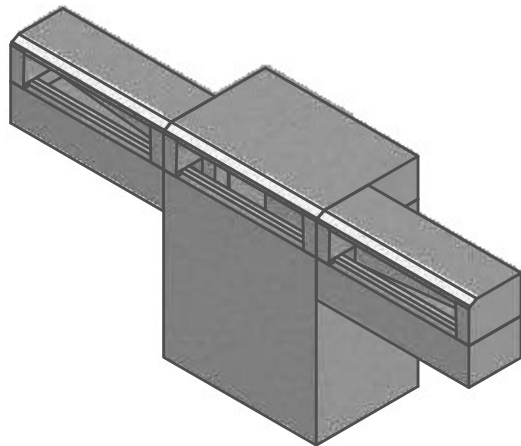


FRONT ELEVATION



ISO VIEW

NOTES:

1. REFER TO MDOT STANDARD PLANS, SHEET #6524, 08/01/2017 FOR ADDITIONAL INFORMATION.
2. CONCRETE: 4,000 PSI, TYPE I/II CEMENT



**MDOT - CURB INLET**

TYPE SS-2: ASSEMBLY

**6.0**