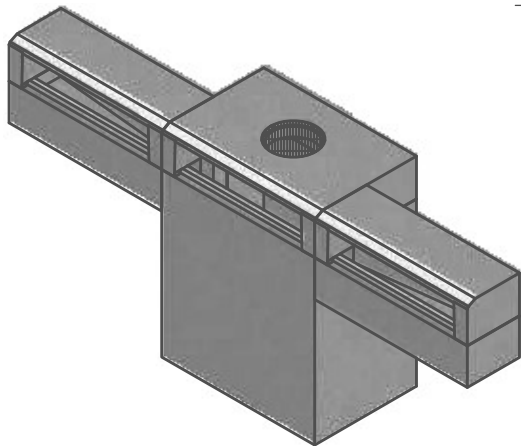


FRONT ELEVATION



ISO VIEW

NOTES:

1. REFER to MDOT STANDARD PLANS, SHEET #6524, 08/01/2017 FOR ADDITIONAL INFORMATION.
2. CONCRETE: 4,000 PSI, TYPE I/II CEMENT



**MDOT - CURB INLET**

TYPE SS-2: ASSEMBLY w/EJ-V1701 CAST-IN

**6.1**