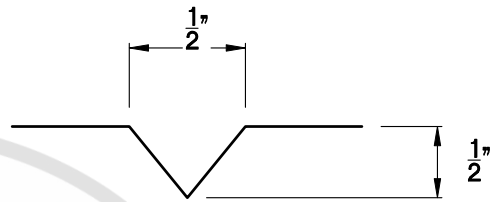
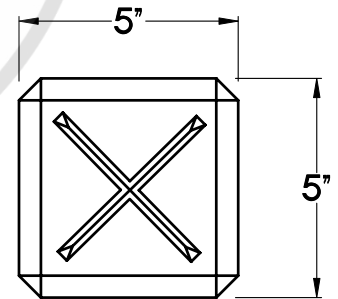
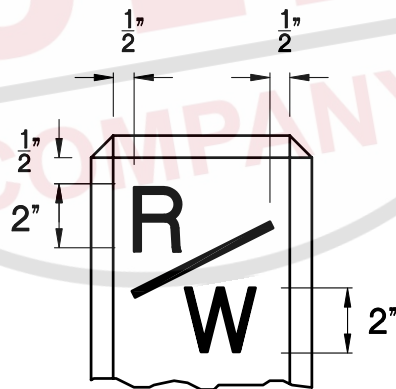


1/2"  $\phi$  Bar  
3' - 4"  
long



Section A-A



Top



208 JEFFERSON STREET  
NEWNAN, GEORGIA 30263  
(770) 251-0296

## Georgia DOT Concrete Right of Way Marker

SECTION	GEORGIA D.O.T.	DATE	10-21-01	REVISION	04-10-02-DRM
SCALE	NTS	DRAWN BY	DRM	PAGE #	4-17