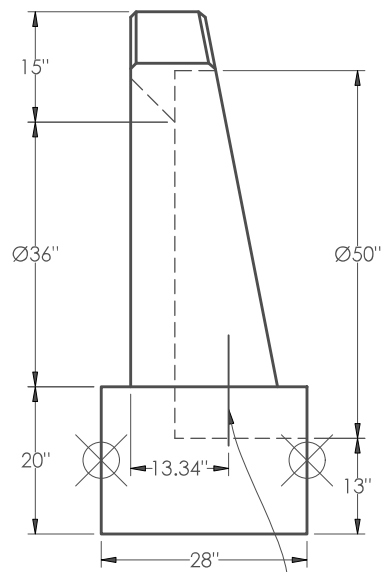
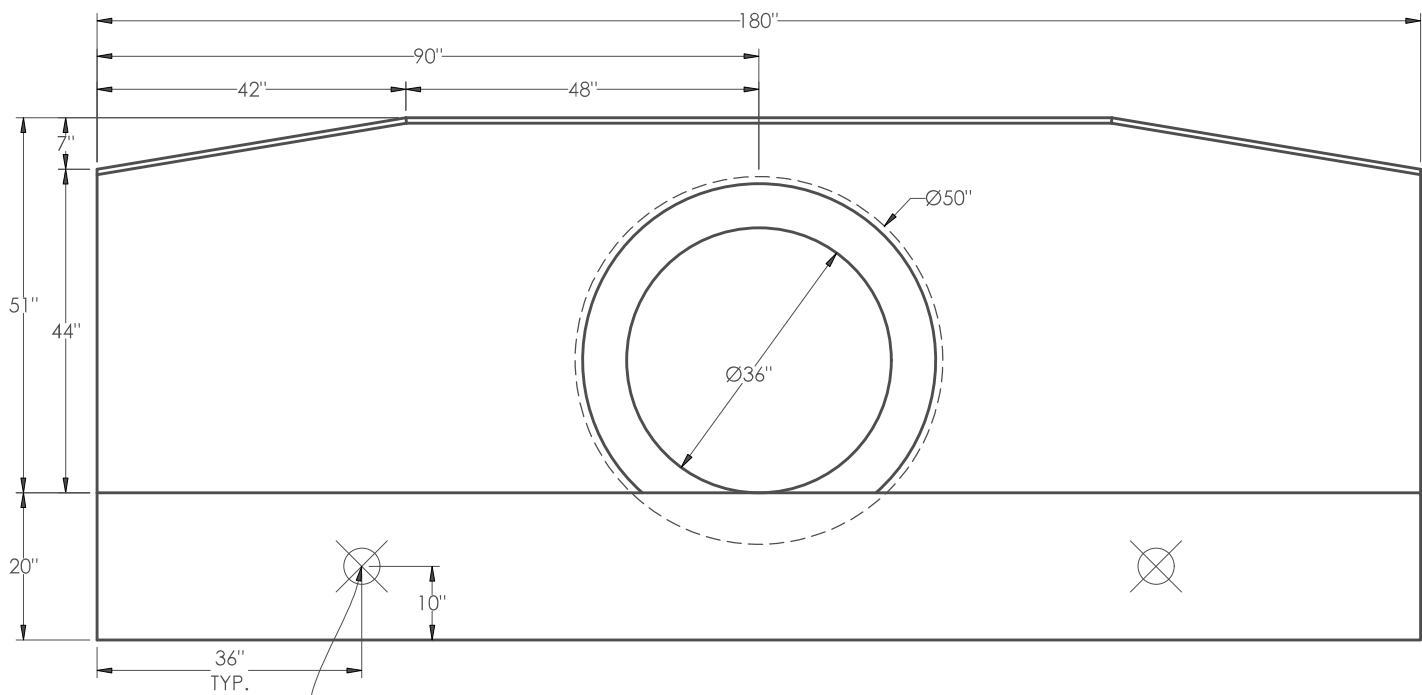
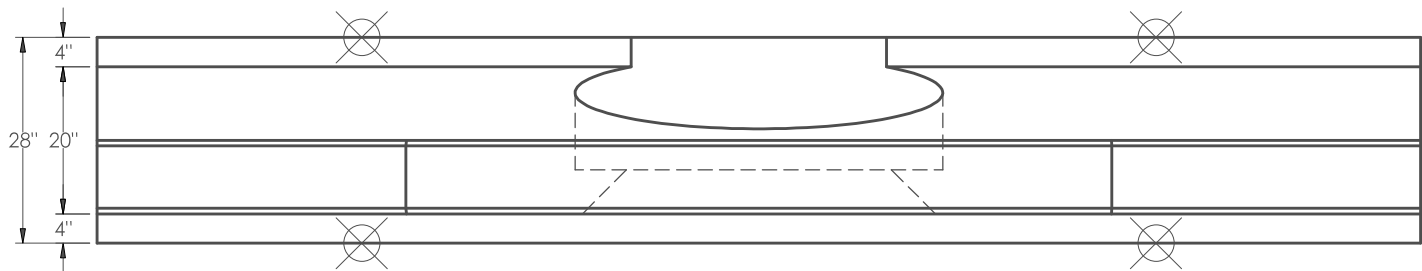


ALL EXPOSED EDGES OF ENDWALL TO HAVE $\frac{3}{4}$ " CHAMFER



KEYWAY DOWELS REQUIRED FOR CONSTRUCTION JOINTS:
#4 BARS, 18" W/9" EMBEDMENT @ 12" O.C.

NOTES:

1. CONCRETE: 4,000 PSI, TYPE I/II CEMENT
2. GRADE 60 REINFORCEMENT ASTM A615
3. REFER TO REINFORCEMENT DETAIL SHEET FOR REBAR LOCATION.
4. DUE TO THE FRAGILE NATURE OF THE HEADWALLS, THE CUSTOMER IS RESPONSIBLE FOR PRODUCT IF IT BREAKS DURING HANDLING, TRANSPORTATION OR SETTING.
5. SEE FDOT INDEX #430-030 FOR MORE INFORMATION

APPROXIMATED WEIGHT:
36" EW: 17,902 lb



DWG. NO. SINGLE 36" RCP STRAIGHT ENDWALL - FDOT #430-030	PROJECT 36" RCP SINGLE ENDWALL
SCALE NTS	PROJECT #

DATE 2/24/2025
CUSTOMER
DRAWN BY DS