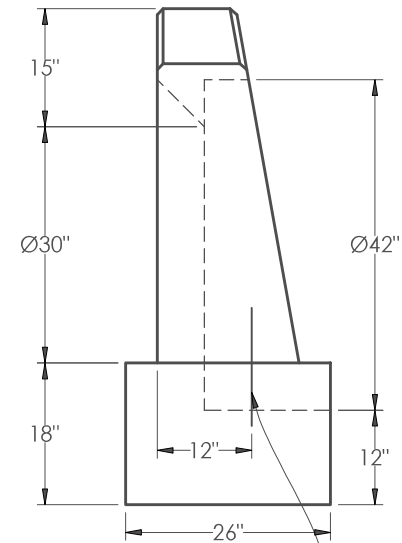
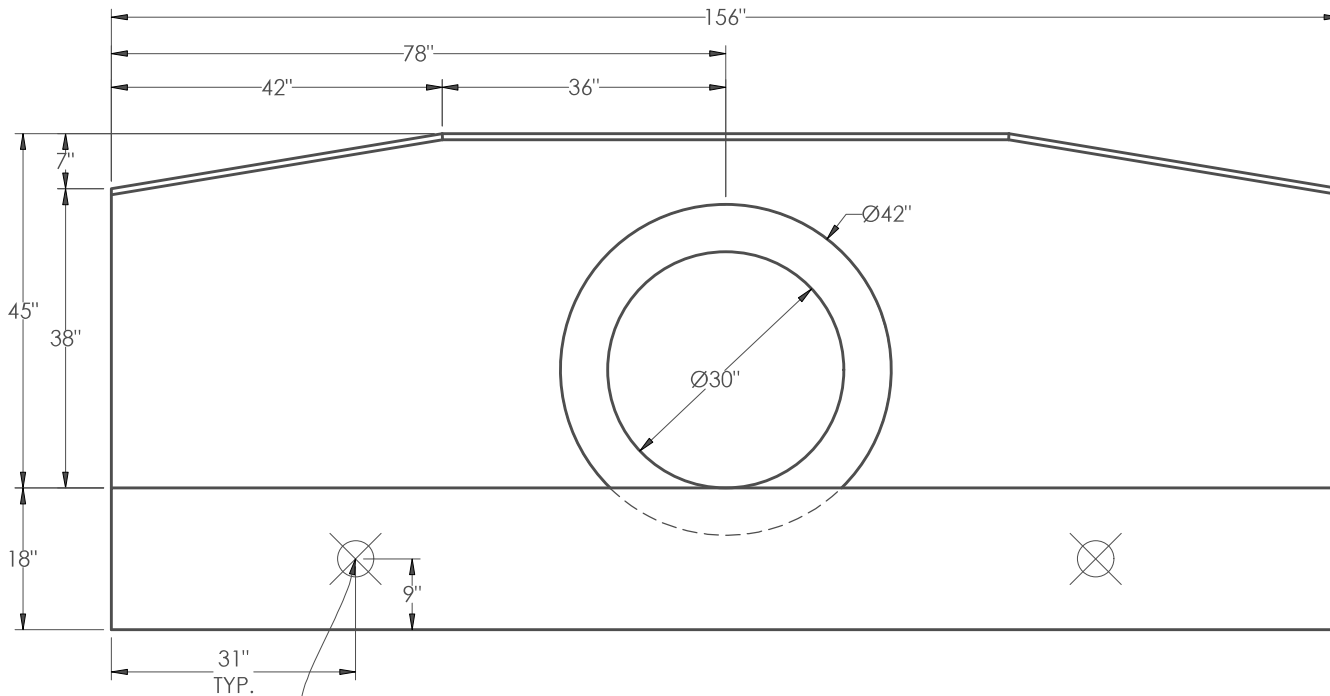
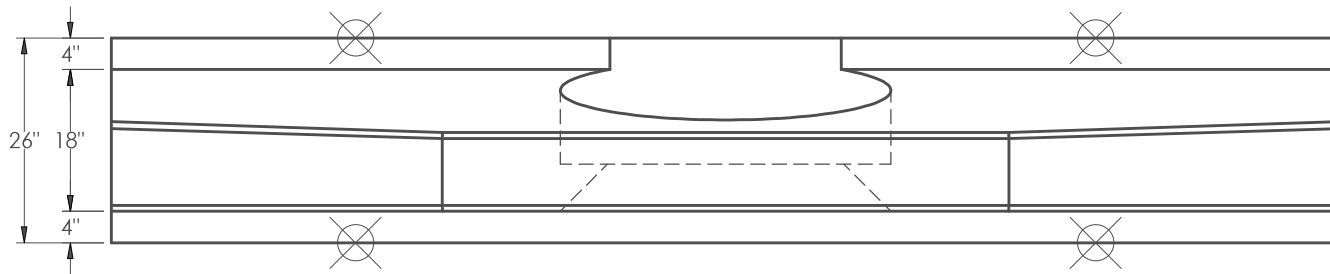


ALL EXPOSED EDGES OF ENDWALL TO HAVE 3/4" CHAMFER



KEYWAY DOWELS REQUIRED FOR CONSTRUCTION JOINTS:
#4 BARS, 18" W/9" EMBEDMENT @ 12" O.C.

(4) WIRE ROPE LIFTERS, 2.16 TON CAP. EACH
(TWO ON EACH FACE OF THE FOOTING)

NOTES:

1. CONCRETE: 4,000 PSI, TYPE I/II CEMENT
2. GRADE 60 REINFORCEMENT ASTM A615
3. REFER TO REINFORCEMENT DETAIL SHEET FOR REBAR LOCATION.
4. DUE TO THE FRAGILE NATURE OF THE HEADWALLS, THE CUSTOMER IS RESPONSIBLE FOR PRODUCT IF IT BREAKS DURING HANDLING, TRANSPORTATION OR SETTING.
5. SEE FDOT INDEX #430-030 FOR MORE INFORMATION

APPROXIMATED WEIGHT:
30" EW: 12,933 lb



DWG. NO.
SINGLE 30" RCP STRAIGHT ENDWALL - FDOT #430-030

PROJECT
30" RCP SINGLE ENDWALL

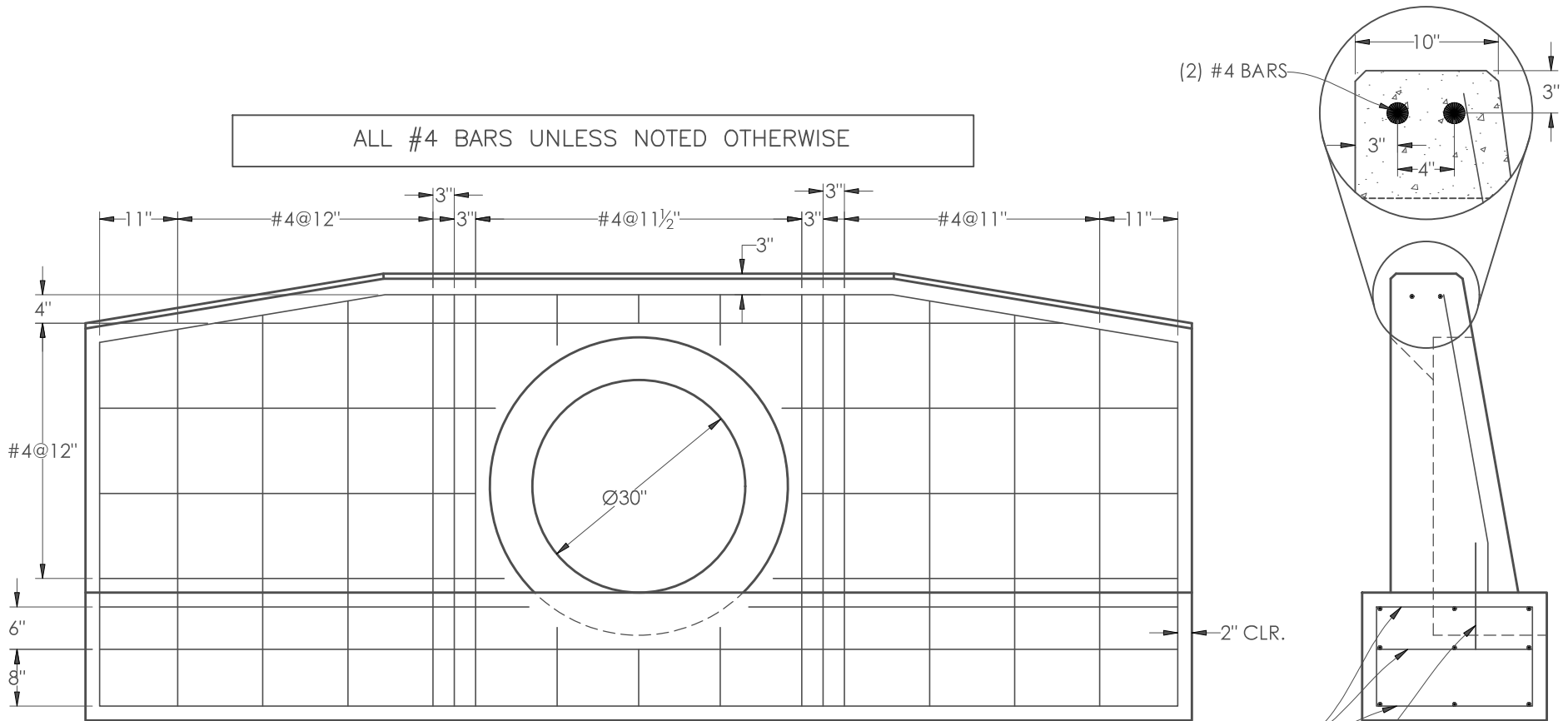
DATE
2/20/2025

SCALE NTS PROJECT #

CUSTOMER

DRAWN BY DS

ALL #4 BARS UNLESS NOTED OTHERWISE




#4 BAR @ 12" O.C.E.W.

KEYWAY DOWELS REQUIRED
FOR CONSTRUCTION JOINTS:
#4 BARS, 18" W/9" EMBEDMENT @ 12" O.C.

NOTES:

1. CONCRETE: 4,000 PSI, TYPE I/II CEMENT
2. GRADE 60 REINFORCEMENT ASTM A615
3. DUE TO THE FRAGILE NATURE OF THE HEADWALLS, THE CUSTOMER IS RESPONSIBLE FOR PRODUCT IF IT BREAKS DURING HANDLING, TRANSPORTATION OR SETTING.
4. SEE FDOT INDEX #430-030 FOR MORE INFORMATION

APPROXIMATED WEIGHT:
30" EW: 12,933 lb

	DWG. NO. SINGLE 30" RCP STRAIGHT ENDWALL - FDOT #430-030	PROJECT 30" RCP SINGLE ENDWALL - REINFORCEMENT	DATE 2/20/2025
	SCALE NTS	PROJECT #	CUSTOMER
			DRAWN BY DS