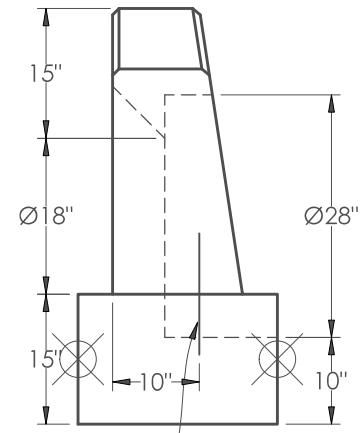
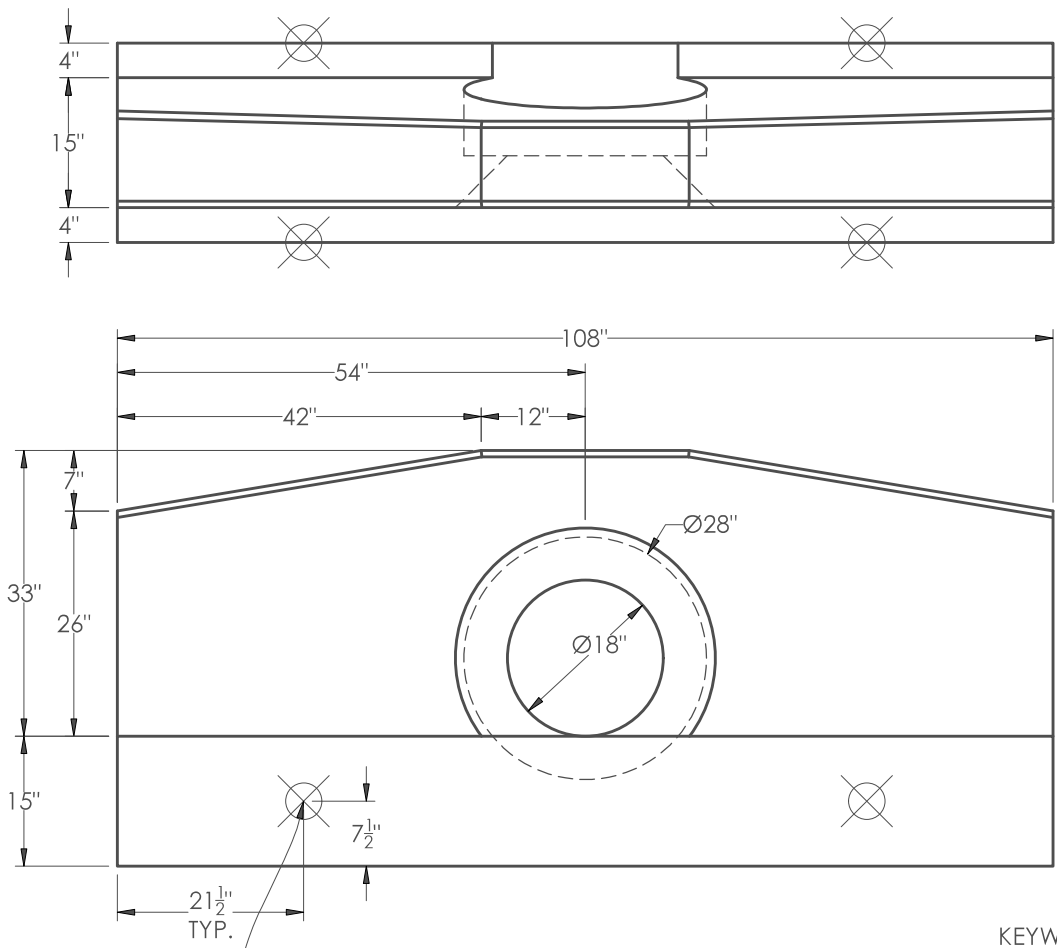


ALL EXPOSED EDGES OF ENDWALL TO HAVE 3/4" CHAMFER



(4) WIRE ROPE LIFTERS, 1.04 TON CAP. EACH
(TWO ON EACH FACE OF THE FOOTING)

KEYWAY DOWELS REQUIRED FOR CONSTRUCTION JOINTS:
#4 BARS, 18" W/9" EMBEDMENT @ 12" O.C.

NOTES:

1. CONCRETE: 4,000 PSI, TYPE I/II CEMENT
2. GRADE 60 REINFORCEMENT ASTM A615
3. REFER TO REINFORCEMENT DETAIL SHEET FOR REBAR LOCATION.
4. DUE TO THE FRAGILE NATURE OF THE HEADWALLS, THE CUSTOMER IS RESPONSIBLE FOR PRODUCT IF IT BREAKS DURING HANDLING, TRANSPORTATION OR SETTING.
5. SEE FDOT INDEX #430-030 FOR MORE INFORMATION

APPROXIMATED WEIGHT:
18' EW: 6,188 lb

	DWG. NO. SINGLE 18" RCP STRAIGHT ENDWALL - FDOT #430-030	PROJECT 18" RCP SINGLE ENDWALL	DATE 2/19/2025
	SCALE NTS	PROJECT # _____	CUSTOMER _____
		DRAWN BY DS	