

FOR ALL YOUR STORM & SANITARY NEEDS



PH: (239) 482-7468
FX: (239) 482-7469

P.O. BOX 370
ESTERO, FL. 33928

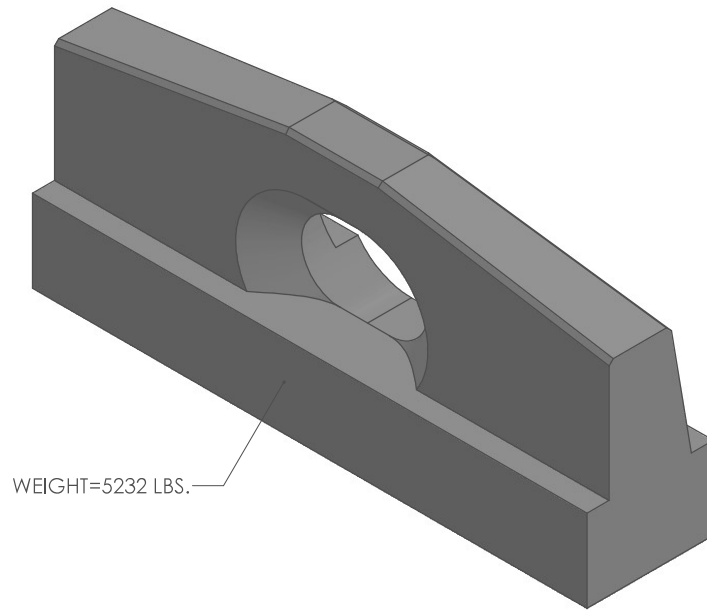
NOTES

CONCRETE SPECS

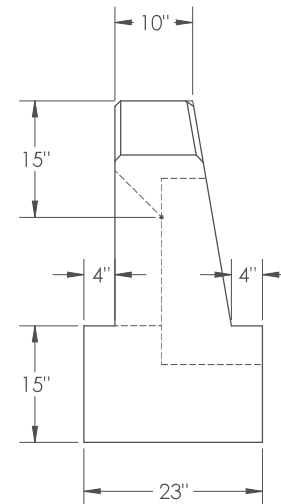
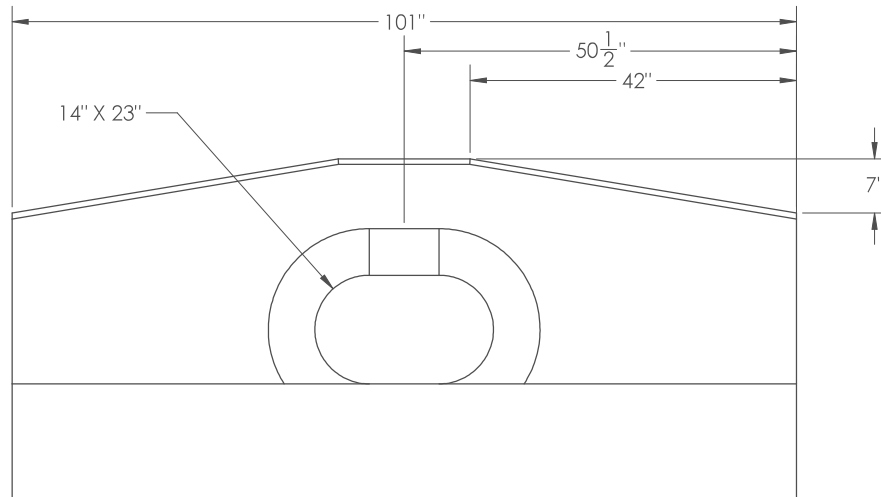
4,000 PSI @ 28 DAYS

TYPE II CEMENT

REINF. REF. FDOT INDEX 250



WEIGHT=5232 LBS.



CONT.:

JOB:

**14" X 23" PIPE
DOT HEADWALLS**

BOX TYPE