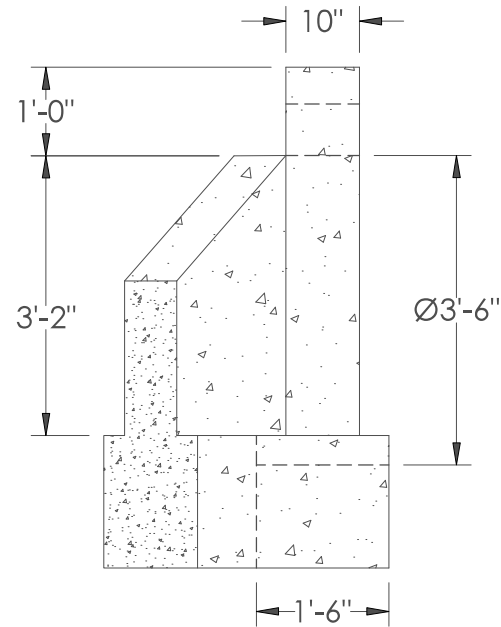
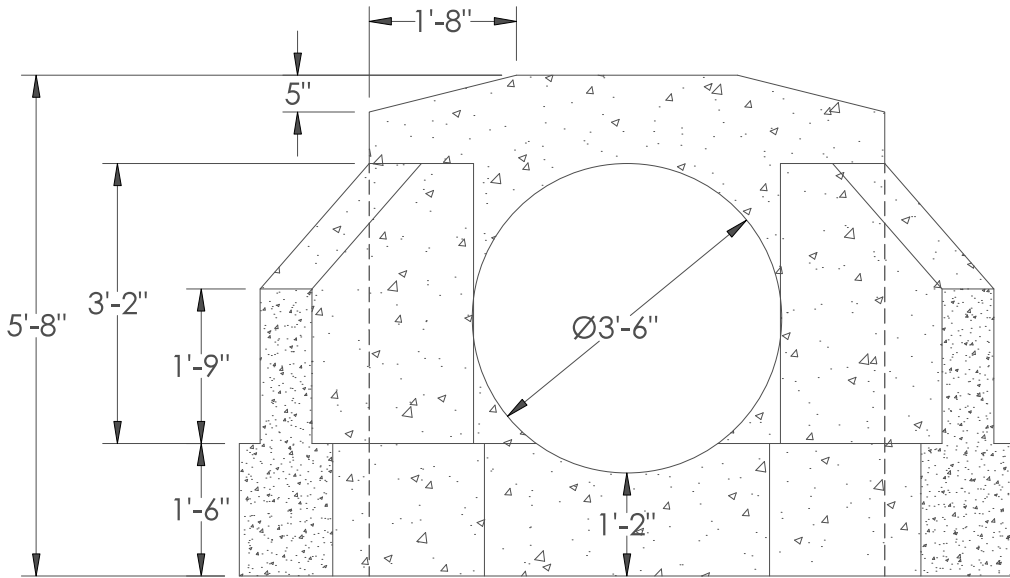


*DIMENSIONS VARY SLIGHTLY FROM FDOT INDEX 430-040 TO ACCOMMODATE STANDARD PRECAST BLOCKOUTS

NOTE: ALL EXPOSED EDGES OF WINGWALL TO HAVE $\frac{3}{4}$ " CHAMFER



NOTES:

1. CONCRETE: 4,000 PSI, TYPE I/II CEMENT
2. GRADE 60 REINFORCEMENT ASTM A615
3. REINFORCEMENT TO BE #4 BARS @ 12" O.C. UNLESS OTHERWISE NOTED.
4. SEE FDOT INDEX #430-040 FOR MORE INFORMATION

APPROXIMATED WEIGHT:
30" EW45: 5,500 lb



DWG. NO. SINGLE RCP ENDWALL 45 DEG.-FDOT #430-040		PROJECT 30" RCP SINGLE ENDWALL 45 DEG- FDOT #430-040
SCALE NTS	PROJECT #	CUSTOMER

DATE 2/9/2024
DRAWN BY DS