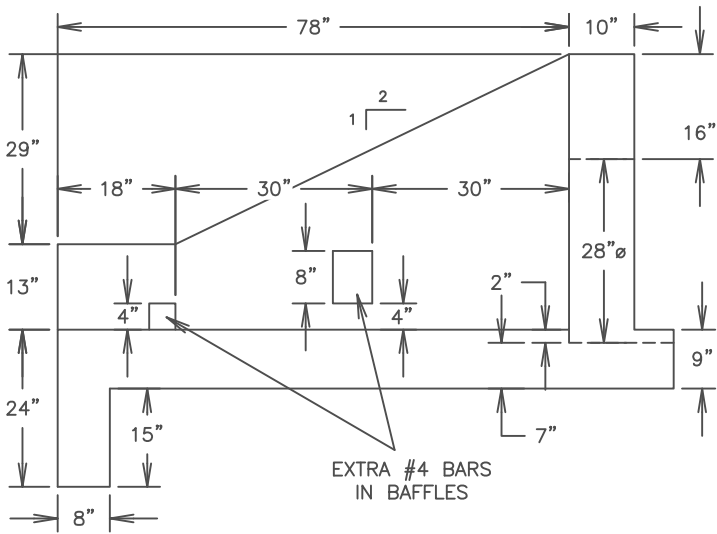
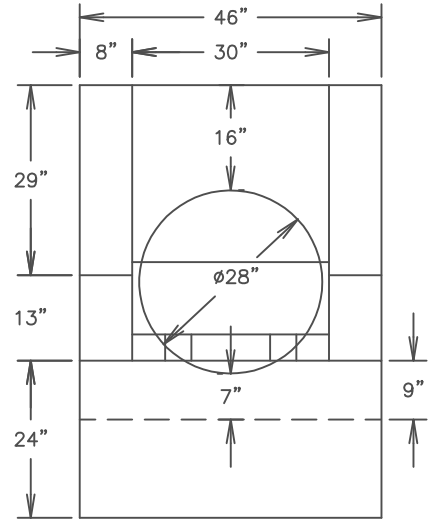


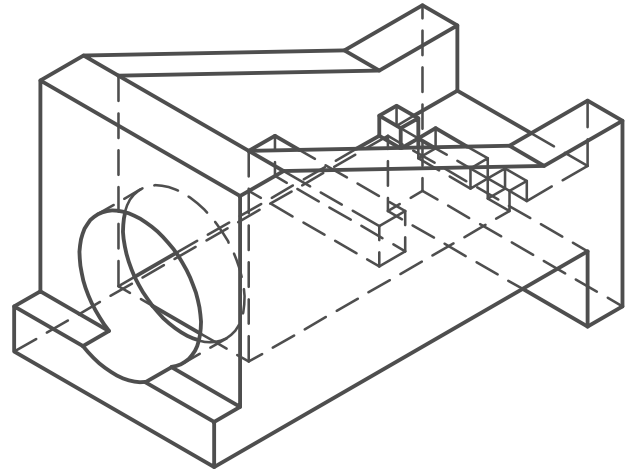
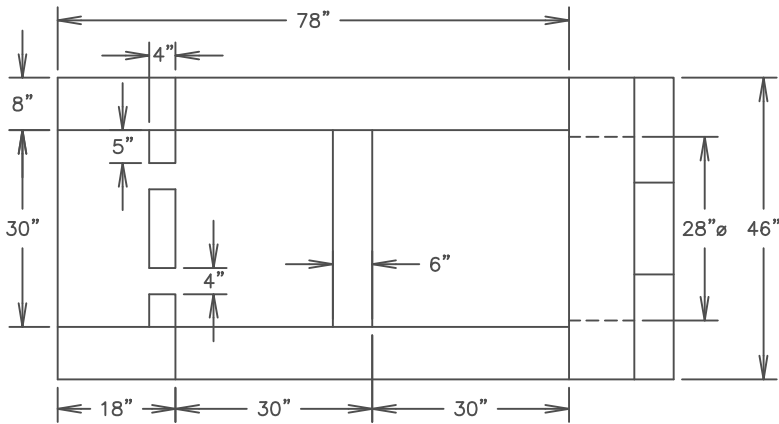
SIDE SECTION VIEW



FRONT VIEW



SIDE SECTION VIEW



REINFORCEMENT

HORIZONTAL: #4 BARS @ 12" O.C.  
 VERTICAL: #4 BARS @ 12" O.C.

STRUCTURE QUANTITIES

APPROX. CONCRETE: 1.92 cy±  
 APPROX. WEIGHT: 7,762 lbs±

ENDWALL MODIFIED SLIGHTLY FROM FDOT SPECIFICATION TO FIT  
 REQUIRED PIPE BLOCKOUT AS WELL AS RETAIN 2:1 SLOPE  
 SEE FDOT INDEX #430-011 FOR MORE INFO.

NOT TO SCALE  
 DIMENSIONS SUBJECT TO  
 SITE SPECIFIC CHANGES.



DWG. NO.	18 HDPE U-TYPE ENDWALL
SCALE	NTS
PROJECT #	23-14419

PROJECT	CEDAR HILLS LANDFILL
CUSTOMER	T&K CONSTRUCTION

DATE	7/3/2023
DRAWN BY	JJC