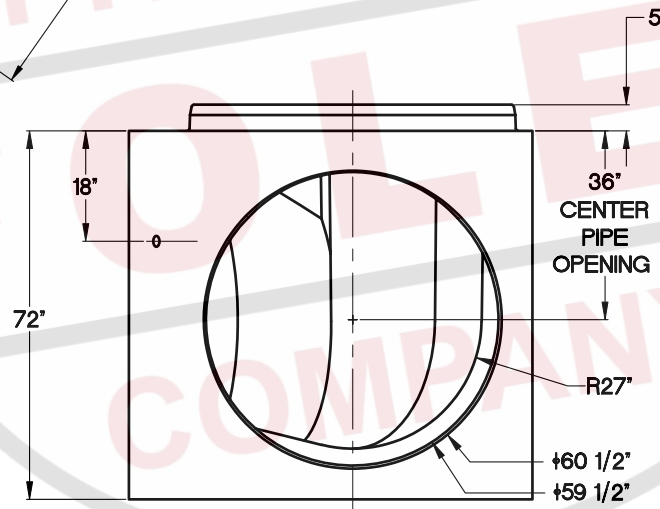


ISOMETRIC VIEW

Structures manufactured to ASTM C 478 and/or C 913.

Reinforcing conforms to either ASTM A 185 for wire mesh or A 615 (Gr 60) for reinforcing bars.

4000 PSI minimum concrete.



VIEW A-A

Equipped with two S206-62 boots for use with 54\" ductile iron pipe.

Transition top to 60\" diameter for flat top or stack out.

Approximate weight: 7.2 tons.



208 JEFFERSON STREET
NEWNAN, GEORGIA 30263
(770) 251-0296

54"-70" Ductile Iron Transition Base

SECTION	D. I. TRANSITION	DATE	02-21-02	REVISION	
SCALE	NTS	DRAWN BY	EFD	PAGE #	11-15