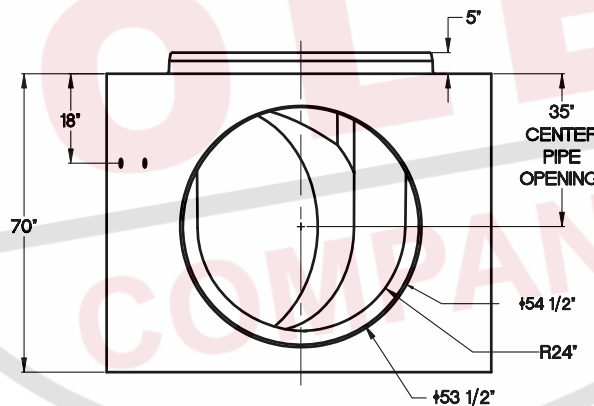


Structure manufactured to C 478 and/or C 913.

Reinforcing conforms to either ASTM A 185 for wire mesh or ASTM A 615 (Gr 60) for reinforcing bars.

4000 PSI minimum concrete.



Equipped with two S206-54L boot for use with 48" ductile iron pipe.

Transition top to 60" diameter for flat top or stack out.

Approximate weight: 10 tons



208 JEFFERSON STREET  
NEWMAN, GEORGIA 30263  
(770) 251-0296

## 48"-35° Ductile Iron Transition Base

SECTION	D. I. TRANSITION	DATE	02-24-02	REVISION	
SCALE	NTS	DRAWN BY	EFD	PAGE #	11-11