

Structure manufactured to ASTM C 478 and/or C 913.

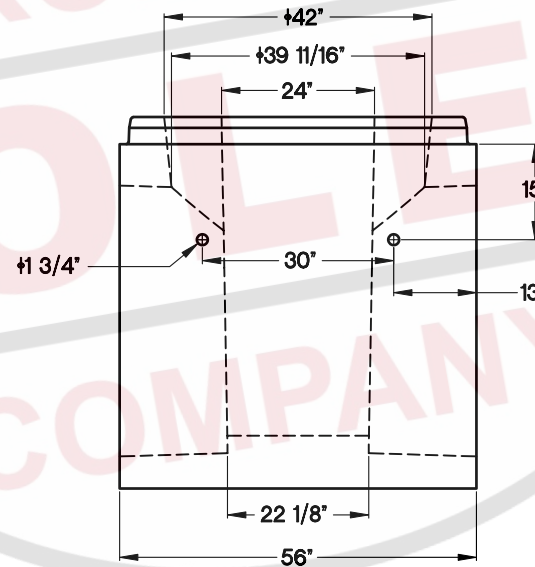
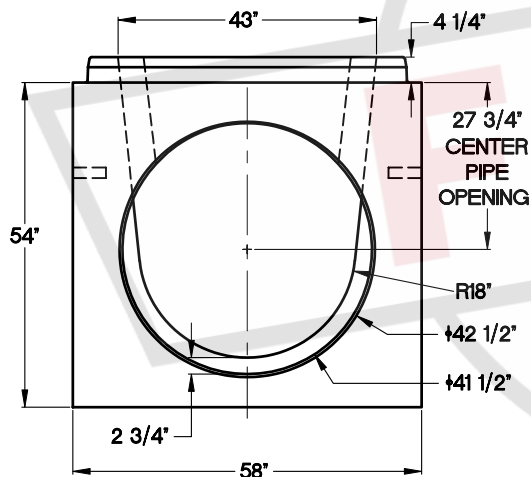
Reinforcing conforms to either ASTM A 185 for wire mesh or A 615 (Gr 60) for reinforcing bars.

4000 PSI concrete minimum.

Equipped with two S206-42 boots for use with 36" ductile iron pipe.

Transition top to 48" diameter for flat top or stack out.

Approximate weight: 4 tons



208 JEFFERSON STREET
NEWMAN, GEORGIA 30263
(770) 251-0296

36"-0° Ductile Iron Transition Base

SECTION	D. I. TRANSITION	DATE	11-01-01	REVISION	
SCALE	NTS	DRAWN BY	DRM	PAGE #	11-4