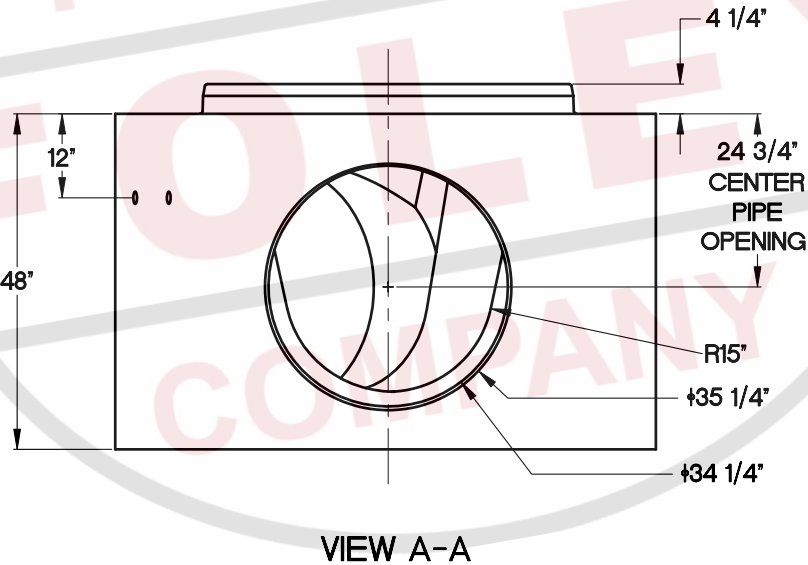


ISOMETRIC VIEW

Structure manufactured to ASTM C 478 and/or C 913.

Reinforcing conforms to either ASTM A 185 for wire mesh or A 615 (Gr 60) for reinforcing bars.

4000 PSI concrete minimum.



Equipped with two 38 W boots for use with 36" ductile iron pipe.

Transition top to 48" diameter for flat top or stack out.

Approximate weight: 5 tons.



208 JEFFERSON STREET
NEWNAN, GEORGIA 30263
(770) 251-0296

30"-35° Ductile Iron Transition Base

SECTION	D. I. TRANSITION	DATE	11-01-01	REVISION	
SCALE	NTS	DRAWN BY	DRM	PAGE #	11-2