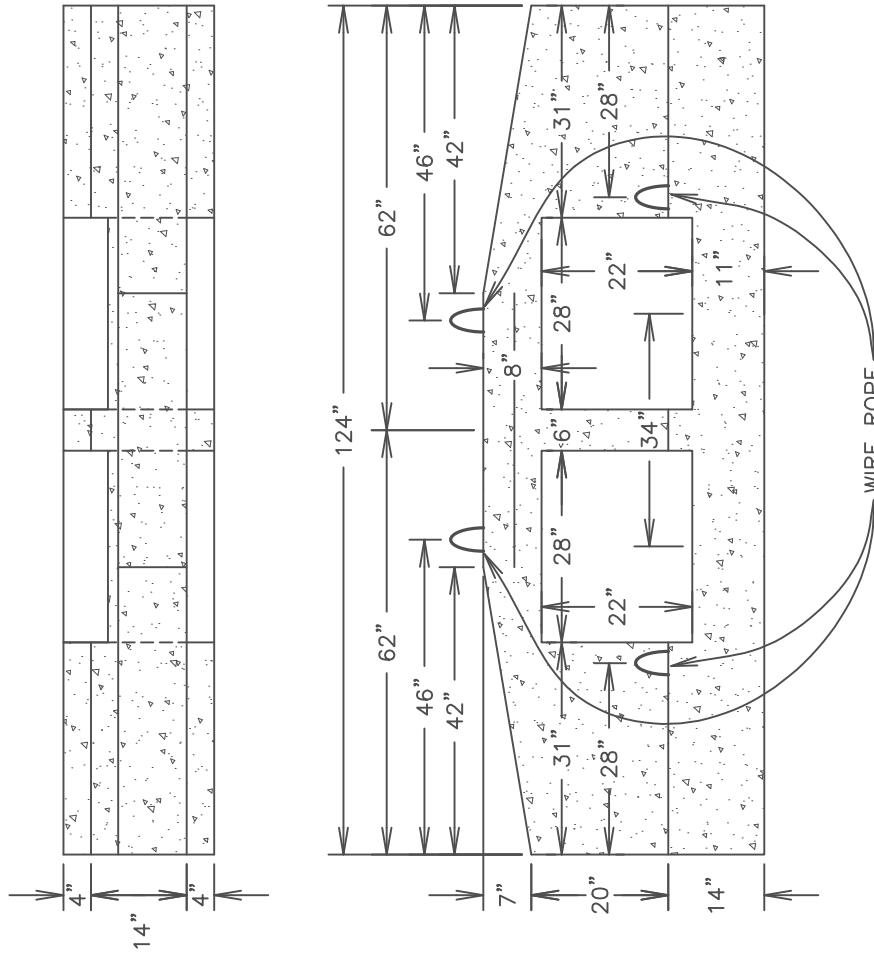


NOTE: DUE TO SIZE OF PRECAST HEADWALL, CONTRACTOR IS RESPONSIBLE FOR BEVELING FRONT OF HEADWALL ONSITE AFTER PIPE INSTALLATION TO MEET 6" TAPER REQUIRED BY FDOT INDEX# 430-030.

ALL EXPOSED EDGES OF ENDWALL TO HAVE 3/4" CHAMFER



GENERAL NOTES:

APPROXIMATE CONCRETE: 1.45 cy± APPROXIMATE WEIGHT: 5,873 lbs±

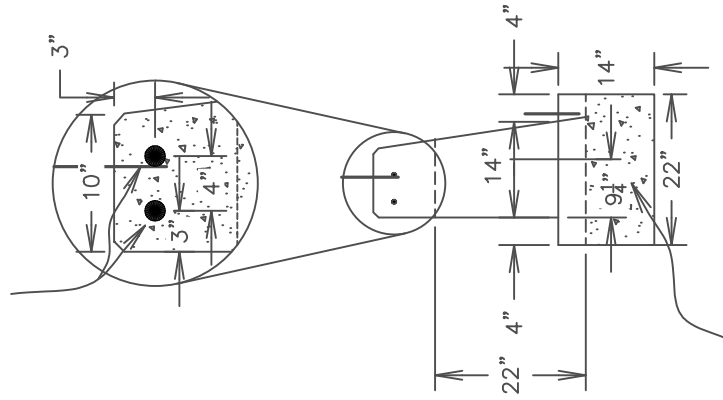
SEE FDOT INDEX #430-030 FOR MORE INFORMATION

DESIGN MODIFIED SLIGHTLY FROM FDOT INDEX #430-030 FOR PRECAST.

REINFORCEMENT TO BE #4 BARS @ 12" O.C. UNLESS OTHERWISE NOTED

USE (2) LIFTING ANCHORS + (2) WIRE ROPE: 3 TON (ea.) MINIMUM CAPACITY, TIED TO REBAR.

(2) #4 BARS



KEYWAY DOWELS REQUIRED FOR CONSTRUCTION JOINTS:

#4 BARS, 18" W/9" EMBEDMENT @ 12" O.C.

NOT TO SCALE
DIMENSIONS SUBJECT TO
SITE SPECIFIC CHANGES.

PRODUCT

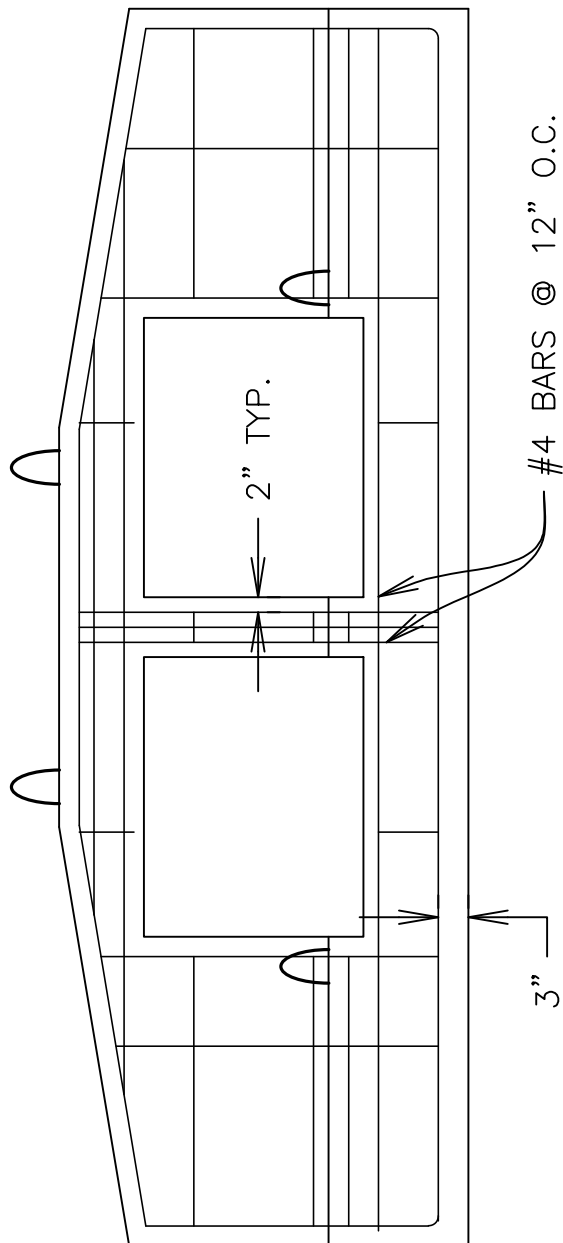
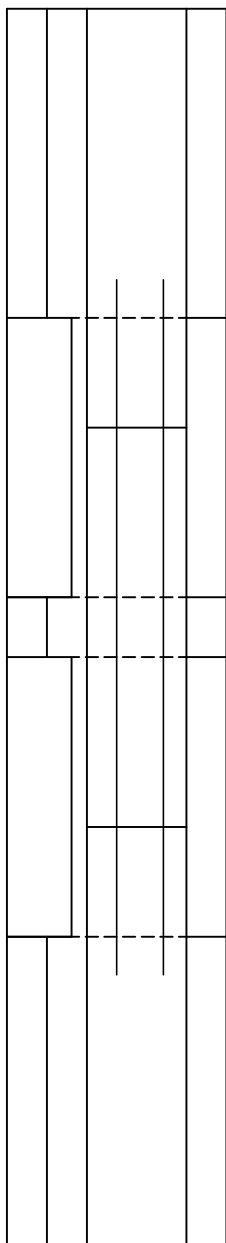
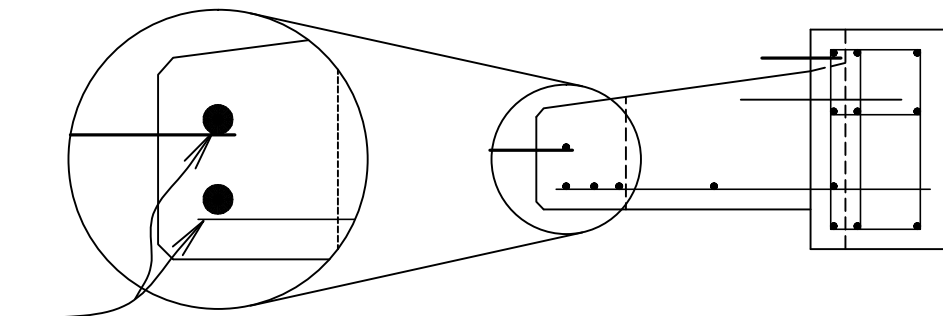
DOUBLE 18"x12" ERCP ENDWALL



DATE

10/17/23

(2) #4 BARS



NOT TO SCALE
DIMENSIONS SUBJECT TO
SITE SPECIFIC CHANGES.

PRODUCT

DOUBLE 18"x12" ERCP ENDWALL



DATE

10/17/23