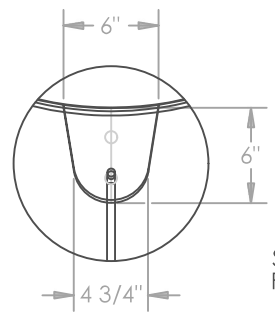
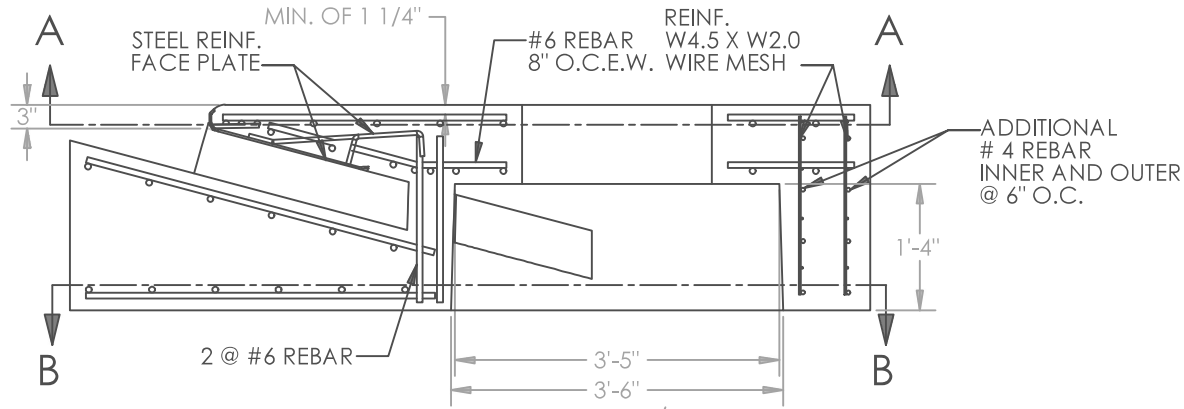
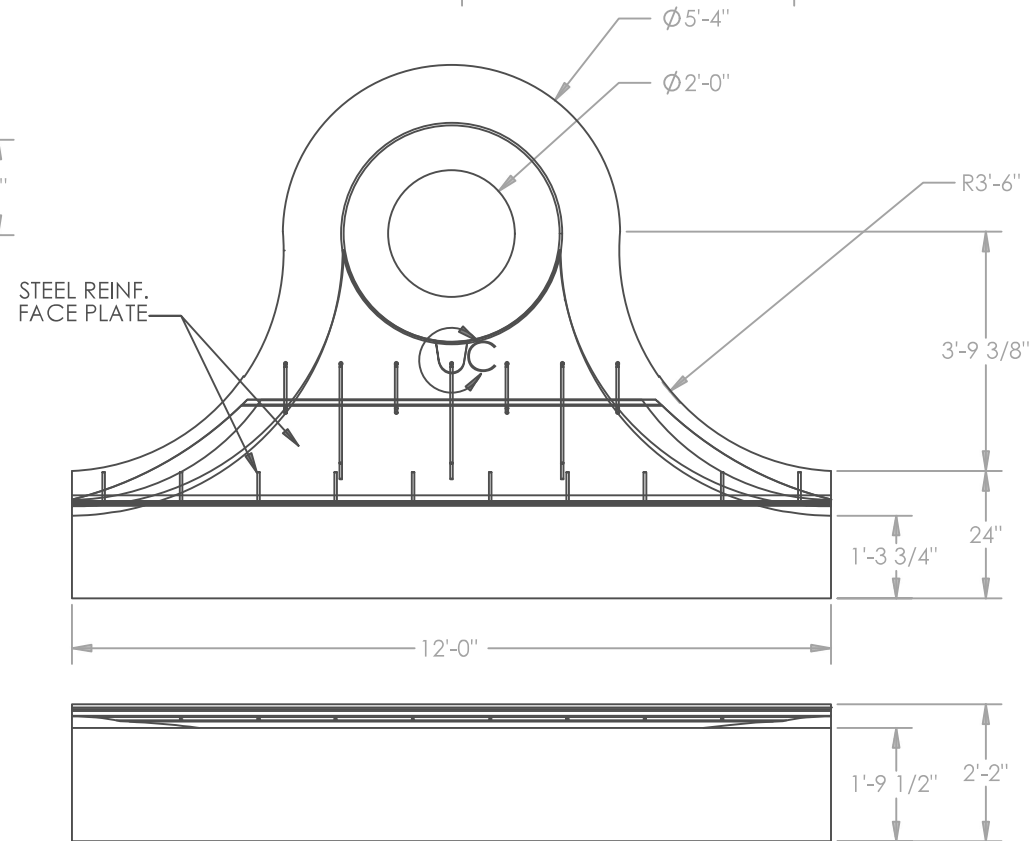


APPROXIMATE WEIGHT:
13,949 LBS.



DETAIL C
SCALE 1 : 8



NOTES:

1. REFER TO FDOT DRAWING FY 2023-24 STANDARD PLANS, INDEX 425-020, REV. 11/01/2020 FOR ADDITIONAL INFORMATION.
2. CONCRETE: 4,000 PSI @ 28 DAYS, TYPE II CEMENT.
3. REINF. W4.5 X W2.0 WIRE MESH & #6 @ 8" O.C.



FDOT - CURB INLET - TOP

TYPE - 4 CI - TOP W/ FACE PLATE

4.0