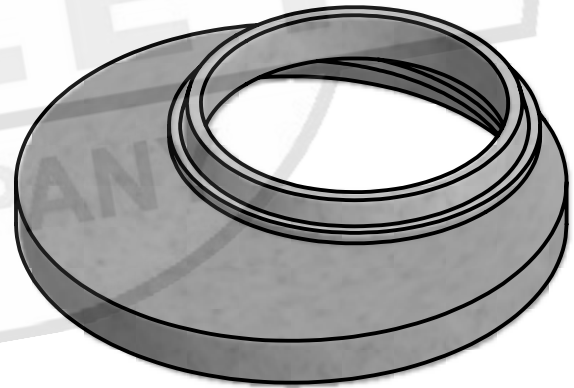
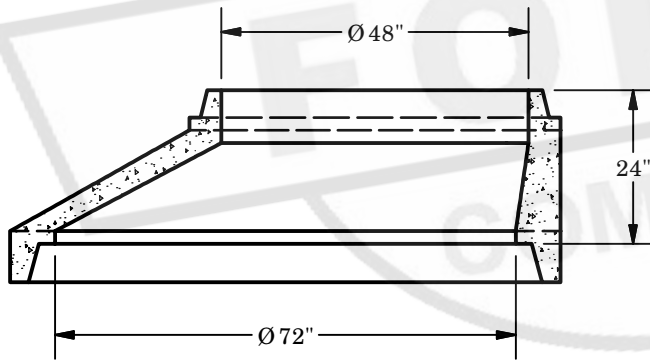


$\text{Ø}5'$ TO $\text{Ø}4'$ CONICAL REDUCER
1.15 TONS



$\text{Ø}6'$ TO $\text{Ø}4'$ CONICAL REDUCER
1.50 TONS



ROUND PRECAST

CONICAL REDUCERS

1.15