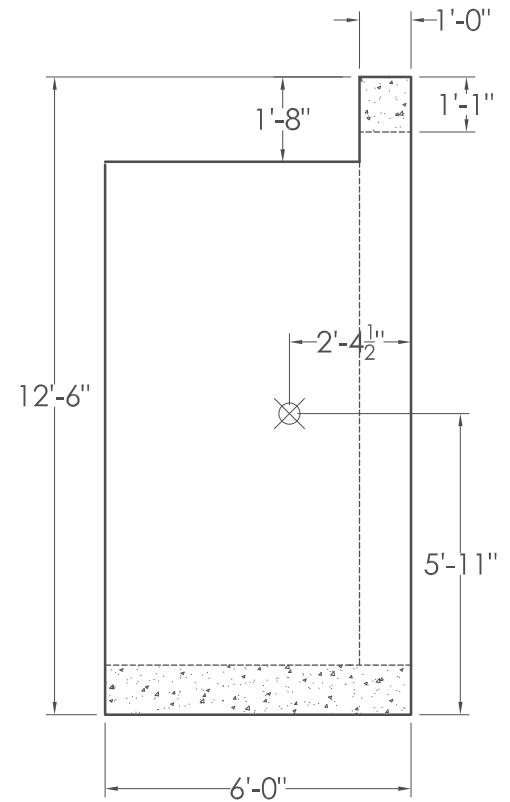


HW WITH 125" Ø HOLE  
(SPECIAL IN SYMONS PANELS)



NOTES:

1. CONCRETE: 4,000 PSI, TYPE II CEMENT, ASTM C595
2. GRADE 60 REINFORCEMENT ASTM A615
3. USE DOUBLE MAT # 5 BAR @ 12" O.C.E.W.(or equiv. mat) for WALL, WINGS, FLOOR 2" CLR. TO EA. FACE

APPROXIMATED WEIGHT:  
18.13 TON  
USE LIFTERS AS SHOWN  
6TON CAP. EA. MIN.



DWG. NO.	BIG HW IN SYMONS_125 in HW.DWG
SCALE	NTS

TITLE	FPC SUBMITTAL DRAWING SPECIAL HW WITH 125" Ø HOLE (96"RCP)
DATE	02-21-2024

DRAWN BY	GET
----------	-----