

Standard Base Section Or Riser

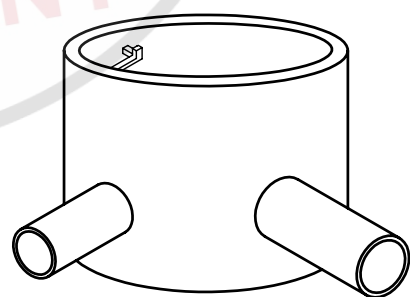
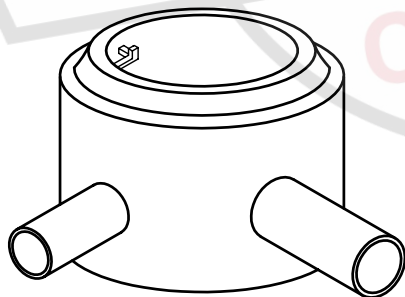
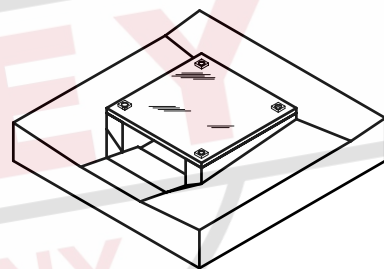
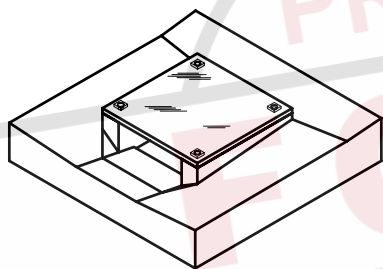
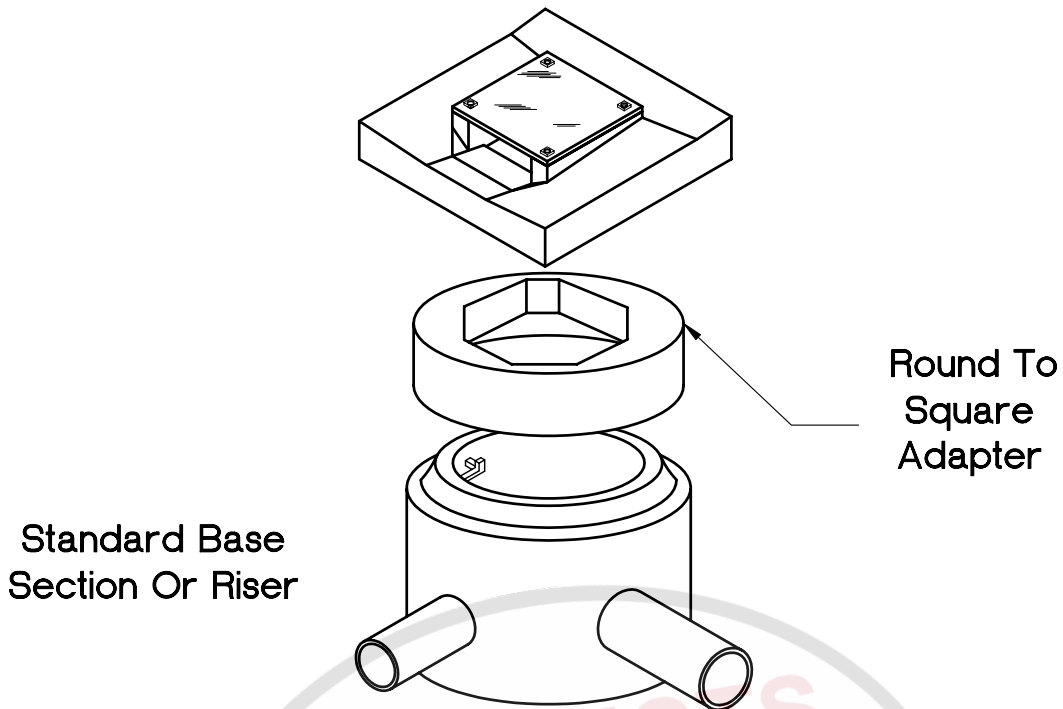
Base Section Or Riser With No Top Lip



208 JEFFERSON STREET
 NEWNAN, GEORGIA 30263
 (770) 251-0296

Georgia DOT 9031-S Installaion

SECTION	GEORGIA D.O.T.	DATE	09-21-01	REVISION
SCALE	NTS	DRAWN BY	DRM	PAGE # 4-13



Standard Base Section Or Riser

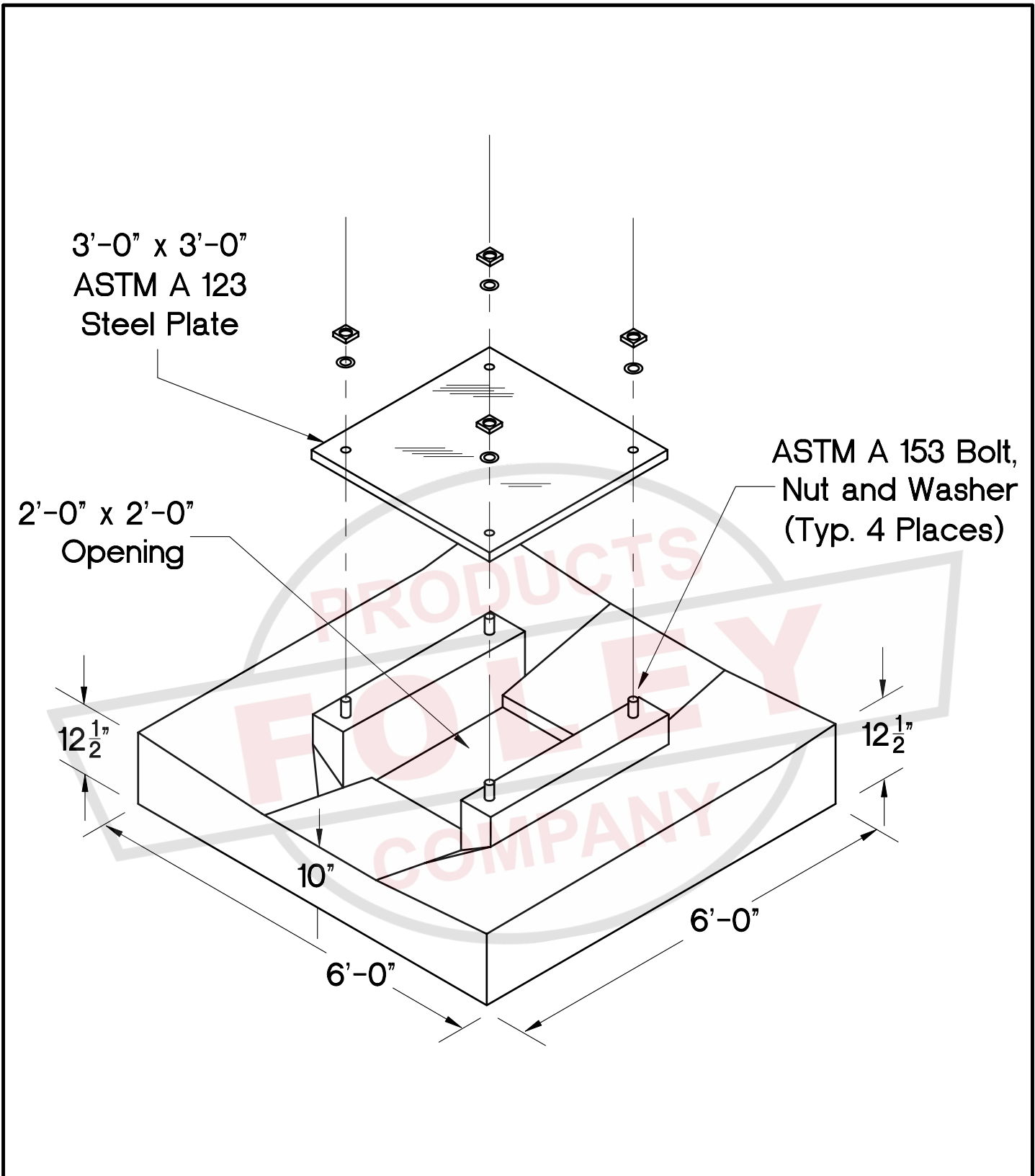
Base Section Or Riser With No Top Lip



208 JEFFERSON STREET
 NEWNAN, GEORGIA 30263
 (770) 251-0296

Georgia DOT 9031-S Installaion

SECTION	GEORGIA D.O.T.	DATE	09-21-01	REVISION
SCALE	NTS	DRAWN BY	DRM	PAGE # 4-13



208 JEFFERSON STREET
 NEWNAN, GEORGIA 30263
 (770) 251-0296

Georgia DOT 9031-S Standard Precast Median Drop Inlet (Double)

SECTION	GEORGIA D.O.T.	DATE	09-21-01	REVISION
SCALE	NTS	DRAWN BY	DRM	PAGE #
				4-15