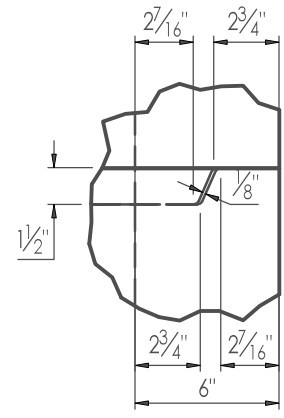


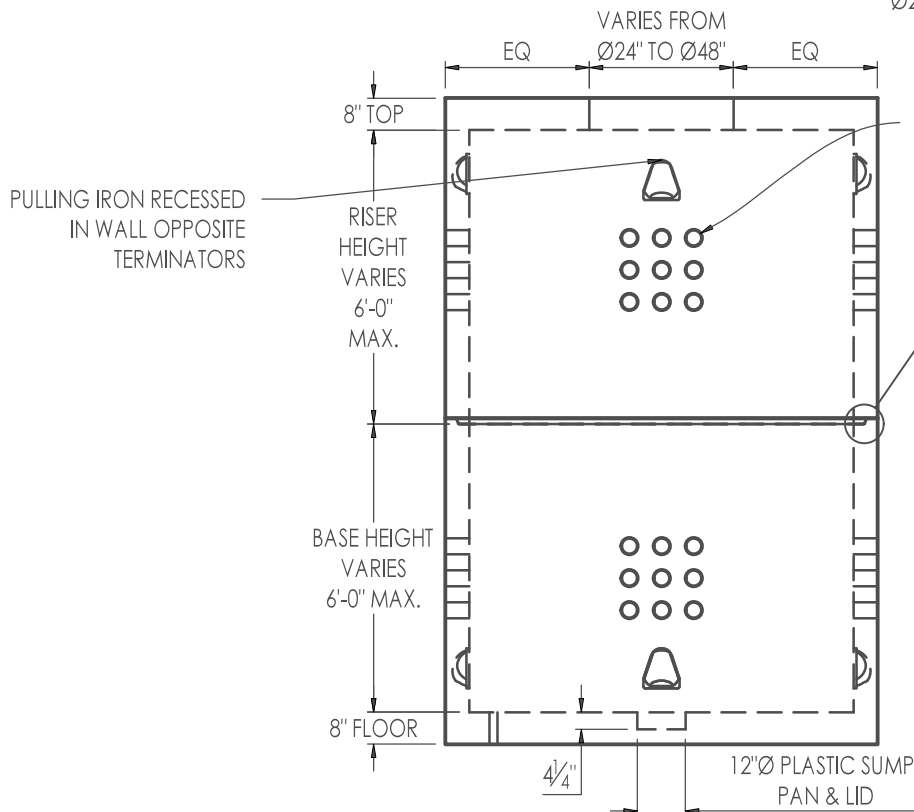
2"Ø HOLE IN FLOOR FOR GROUNDING ROD
6" OFFSET FROM INSIDE WALLS

PLAN



JOINT DETAIL

ROUND CASTINGS AVAILABLE IN VARIABLE SIZES
Ø24", Ø30", Ø36", and Ø48"



PULLING IRON RECESSED IN WALL OPPOSITE TERMINATORS

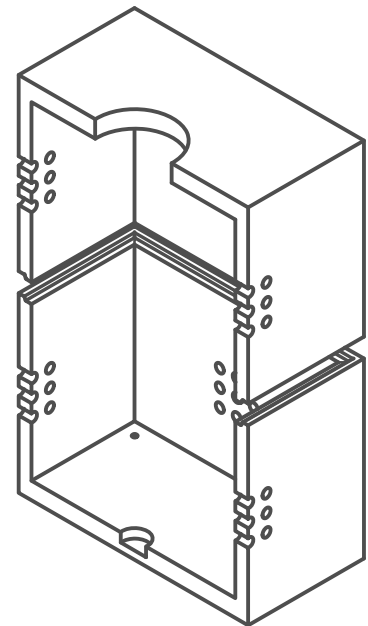
RISER HEIGHT VARIES 6'-0" MAX.

BASE HEIGHT VARIES 6'-0" MAX.

TERMINATOR HOLES LOCATION AND SIZE TO BE CONFIRMED BY THE CUSTOMER

JOINT DETAIL

ELEVATION



NOTES:

1. CONCRETE: 5,000 PSI, TYPE 1L CEMENT
2. DESIGNED FOR TRAFFIC HS-20
3. DESIGNED FOR 4 ft. EARTH FILL ABOVE BOX
4. ASSUMED WATER TABLE DEPTH: 4 ft.
5. SEPARATE TOP AVAILABLE IF BASE ONLY NEEDED
6. RACKING & ARMS INSTALLED BY CONTRACTOR

APPROXIMATE WEIGHTS:
(PARTS SHOWN: 6FT TALL)
HR TOP 6FT: 11.31 TONS
BASE 6FT: 11.65 TONS



ELECTRICAL VAULT

8'x8' BOX

2.30