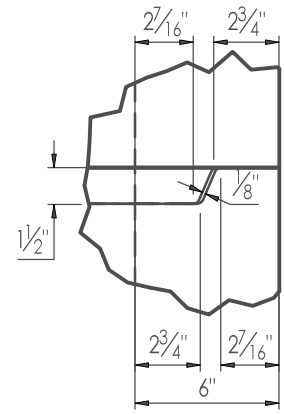


2"Ø HOLE IN FLOOR FOR GROUNDING ROD
6" OFFSET FROM INSIDE WALLS

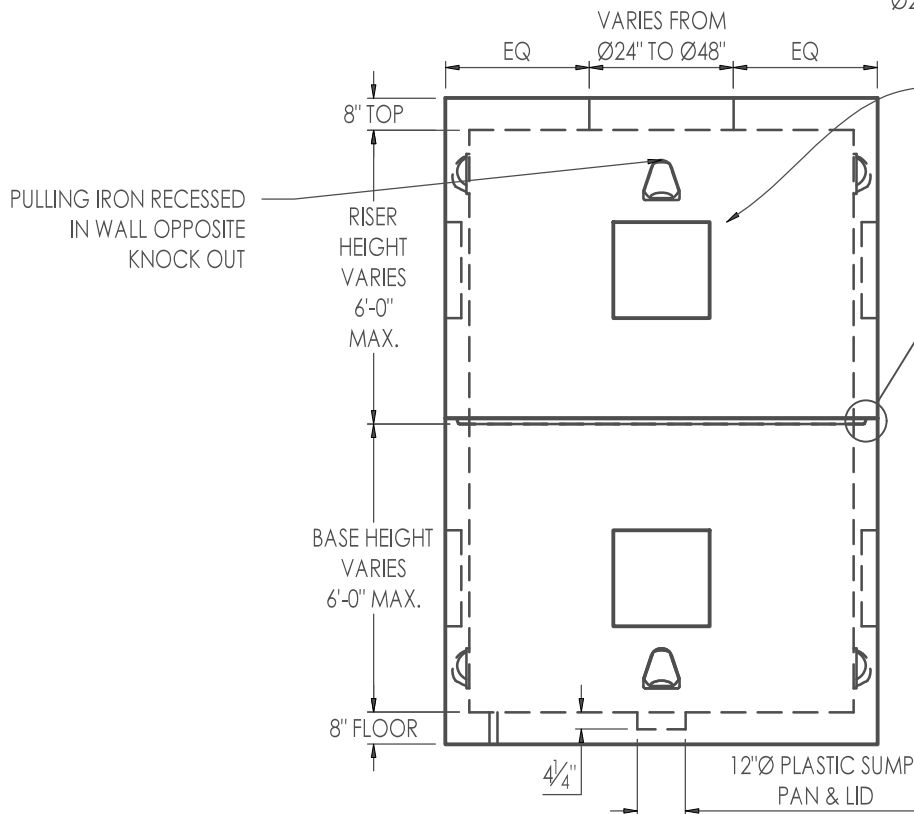
9'-0" 8'-0"

PLAN



JOINT DETAIL

ROUND CASTINGS AVAILABLE IN VARIABLE SIZES
Ø24", Ø30", Ø36", and Ø48"



PULLING IRON RECESSED IN WALL OPPOSITE KNOCK OUT

RISER HEIGHT VARIES 6'-0" MAX.

BASE HEIGHT VARIES 6'-0" MAX.

8" FLOOR

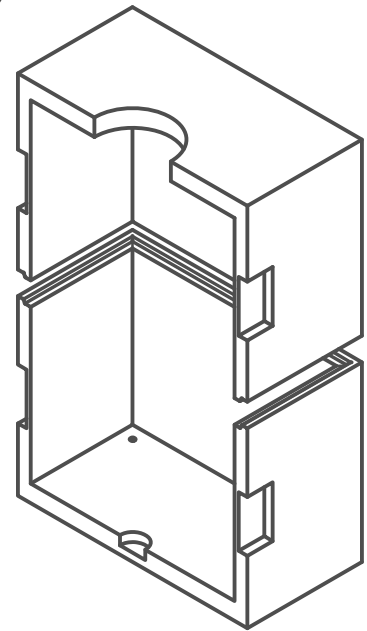
4 1/4"

12"Ø PLASTIC SUMP PAN & LID

ELEVATION

KNOCK OUT WITH THIN WALLS LOCATION AND SIZE TO BE CONFIRMED BY THE CUSTOMER

JOINT DETAIL



NOTES:

1. CONCRETE: 5,000 PSI, TYPE 1L CEMENT
2. DESIGNED FOR TRAFFIC HS-20
3. DESIGNED FOR 4 ft. EARTH FILL ABOVE BOX
4. ASSUMED WATER TABLE DEPTH: 4 ft.
5. SEPARATE TOP AVAILABLE IF BASE ONLY NEEDED
6. RACKING & ARMS INSTALLED BY CONTRACTOR

APPROXIMATE WEIGHTS:
(PARTS SHOWN: 6FT TALL)
HR TOP 6FT: 11.05 TONS
BASE 6FT: 11.38 TONS



ELECTRICAL VAULT

8'x8' BOX

2.30 R1