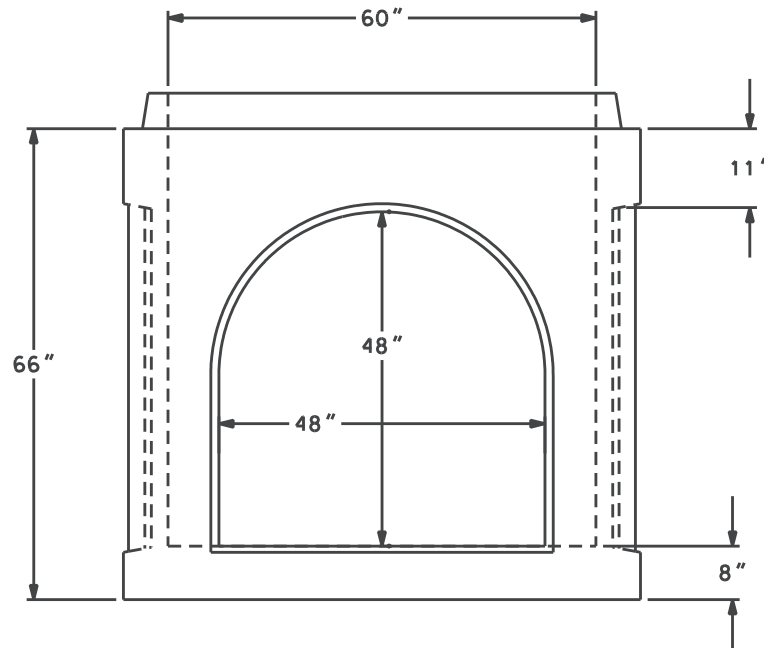


3 (X) EQUALLY SPACED
48" W X 48" H



GENERAL NOTES:

1. NO INVERT - LIFTERS IN FLOOR
2. MAX. FILL OVER TOP OF CONCRETE CAP = 2'-0"
3. KNOCK-OUT PANEL SHALL BE COMPLETELY FILLED WITH NON-SHRINK GROUT. GROUT STRENGTH TO BE 4000p.s.i.
4. MAX. PIPE SIZE FOR K-OUT = 36" RCP (C-WALL)



HERMITAGE, TN LENOIR CITY, TN
FRANKLIN, TN CHATANOOGA, TN

PH# 1-800-737-0707

DWG# PB-324

DATE: 01/23/11

SHEET# 1 OF 1

60"Ø X 66" MONO BASE W/ KNOCK-OUTS

SCALE: NTS