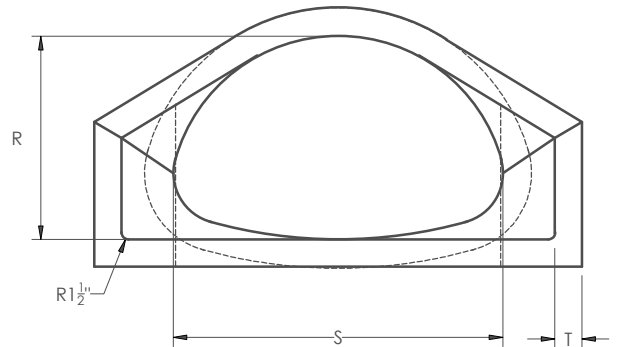
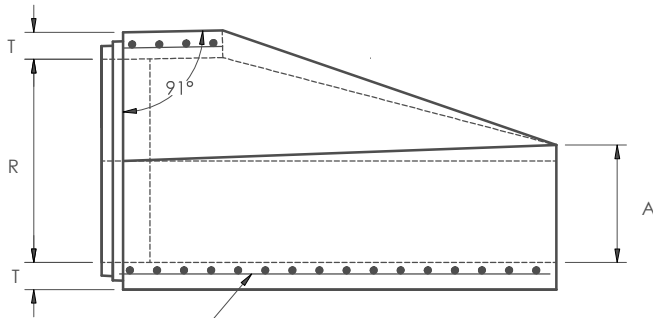
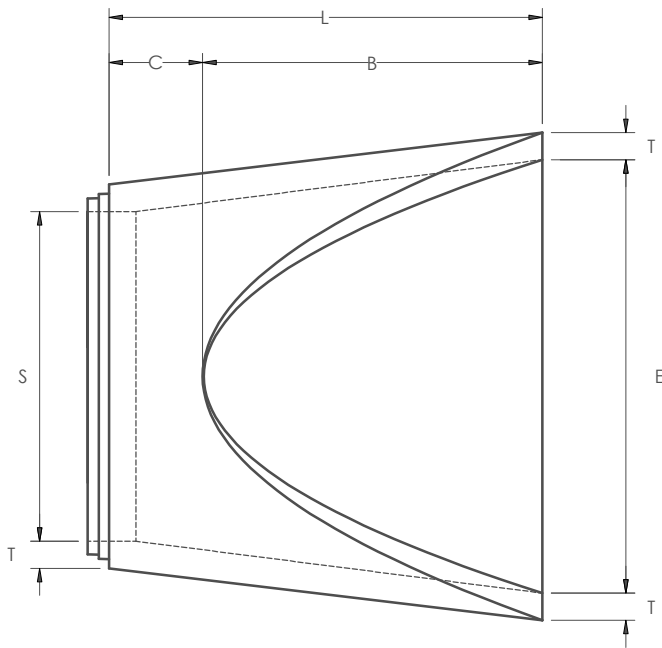


**TABLE OF DIMENSIONS**

EQUIVØ	RISE	SPAN	T	A	B	C	L	E	SLOPE	TONS
54"	40"	65"	5.5"	25.5"	60"	36"	96"	90"	3:1	3.93
60"	45"	73"	6"	26"	75"	21"	96"	96"	3:1	4.76
72"	54"	88"	7"	35"	78"	22"	100"	120"	3:1	6.78



STEEL FABRIC REINFORCEMENT  
(#5 BAR FOR EQUIV. 72"Ø AFES ONLY)



**MATERIALS:**

CONCRETE: 4,000 PSI, TYPE I/II CEMENT  
REINFORCEMENT PER AASTHO M 206

**PARTS SHOWN:**

Ø60" ARCH FLARED END SECTION (SPIGOT)



EQUIV. 54", 60" & 72" AFES  
ARCH FLARED END SECTIONS

**3.10a**