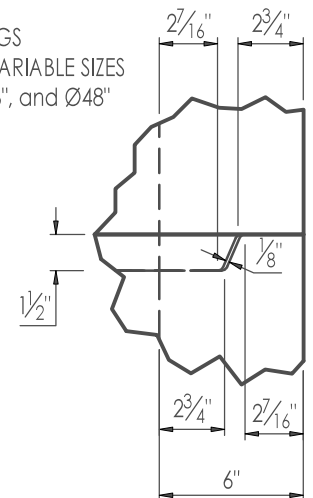
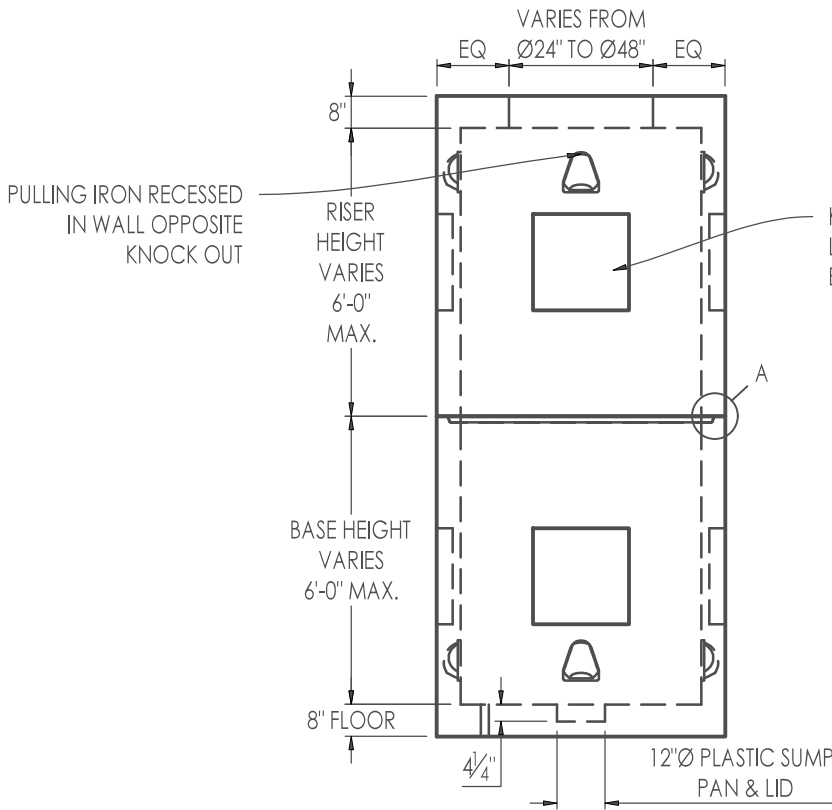


PLAN

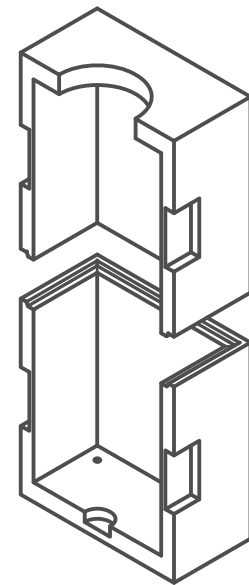
ROUND CASTINGS AVAILABLE IN VARIABLE SIZES Ø24", Ø30", Ø36", and Ø48"



JOINT DETAIL



ELEVATION



NOTES:

1. CONCRETE: 5,000 PSI, TYPE 1L CEMENT
2. DESIGNED FOR TRAFFIC HS-20
3. DESIGNED FOR 4 ft. EARTH FILL ABOVE BOX
4. ASSUMED WATER TABLE DEPTH: 4 ft.
5. SEPARATE TOP AVAILABLE IF BASE ONLY NEEDED
6. RACKING & ARMS INSTALLED BY CONTRACTOR

APPROXIMATE WEIGHTS:
(PARTS SHOWN: 6FT TALL)
HR TOP 6FT: 6.10 TONS
BASE 6FT: 6.25 TONS



ELECTRICAL VAULT

5'x5' BOX

2.24 R1