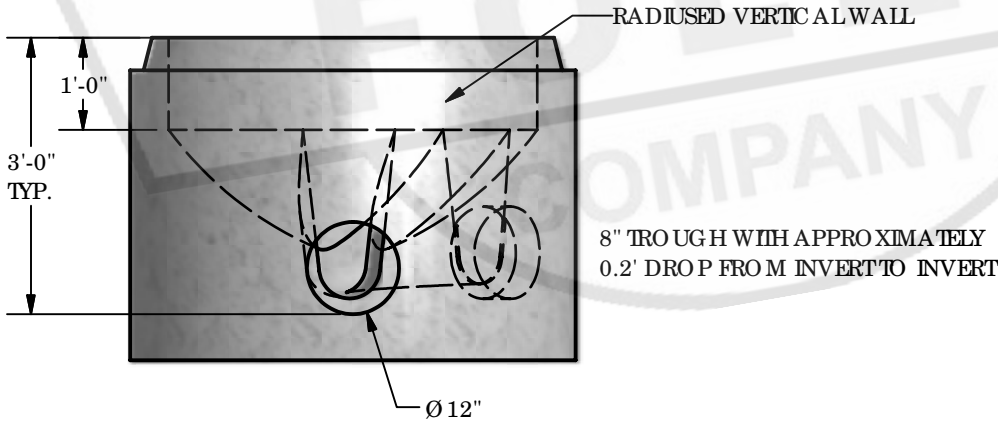


Ø 48" STOCK INVERTS:

- 0°
- 0° & 90°
- 0° & 105°
- 0° & 120°
- 0° & 135°
- 0° & 150°
- 0° & 165°
- 0° & 180°
- 0° & 195°
- 0° & 210°
- 0° & 225°
- 0° & 240°
- 0° & 255°
- 0° & 270°



MATERIALS:

CONCRETE: 4,000 PSI, TYPE I CEMENT
REINFORCEMENT PER ASIM C-478

NOTES:

FLEXIBLE CONNECTORS ARE AVAILABLE
Ø 8" SHOWN: Ø 12" HOLE ONLY
2.96 TONS

PARTS SHOWN:

Ø 48" (5") 3'-0" BASE WITH MONOLITHIC INVERT
Ø 12" BOOT AT 0° FOR 8" PVC
Ø 12" BOOT AT 225° FOR 8" PVC UP 2"



ROUND PRECAST

MONOLITHIC INVERT

1.13