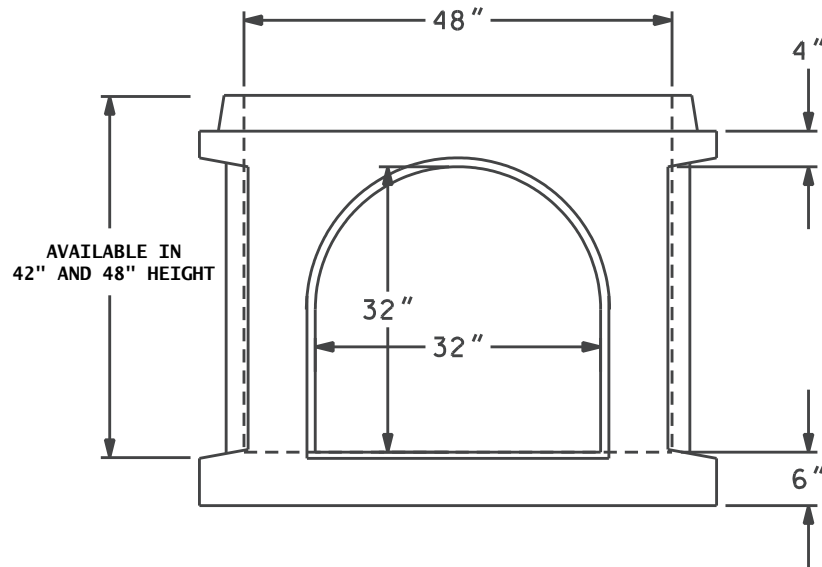


Ø 48"

4(X) EQUALLY SPACED  
32"W X 32"H



AVAILABLE IN  
42" AND 48" HEIGHT

GENERAL NOTES:

1. NO INVERT - LIFTERS IN FLOOR
2. MAX. FILL OVER TOP OF CONCRETE CAP = 2'-0"
3. KNOCK-OUT PANEL SHALL BE COMPLETELY FILLED WITH NON-SHRINK GROUT. GROUT STRENGTH TO BE 4000p.s.i.
4. MAX. PIPE SIZE FOR K-OUT = 24"RCP (B-WALL)



HERMITAGE, TN LENOIR CITY, TN  
FRANKLIN, TN CHATANOOGA, TN

48"Ø MONO BASE W/ KNOCK-OUTS

SCALE: NTS

PH# 1-800-737-0707

DATE: 01/23/12

SHEET# 1 OF 1