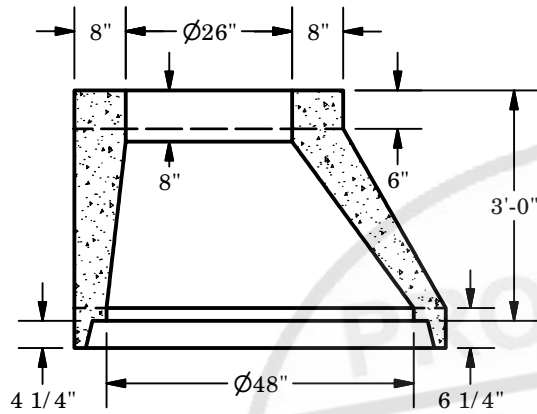
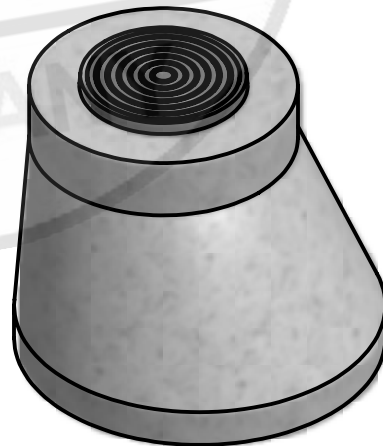
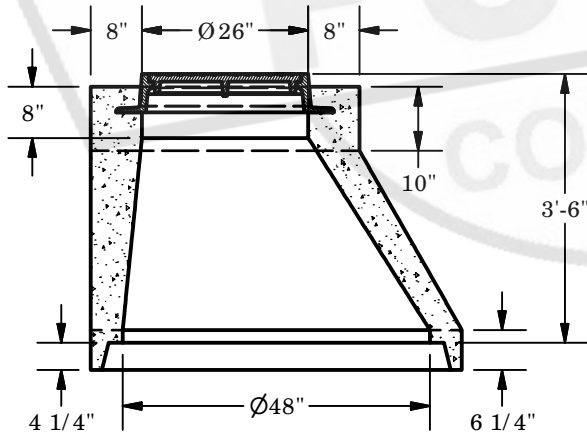


Ø48" (5") 2'-0" ECCENTRIC CONE  
1.03 TONS



Ø48" (5") 3'-0" ECCENTRIC CONE  
1.48 TONS



Ø48" (5") 3'-6" ECCENTRIC CONE  
1.51 TONS

**MATERIALS:**

CONCRETE: 4,000 PSI, TYPE I CEMENT

REINFORCEMENT PER ASIM C-478

**NOTES:**

Ø27" OPENING IF REQUIRED (SPECIAL ORDER)

FLEXIBLE CONNECTIONS ARE AVAILABLE



**ROUND PRECAST**

Ø48" (5") ECCENTRIC CONES

**1.4**