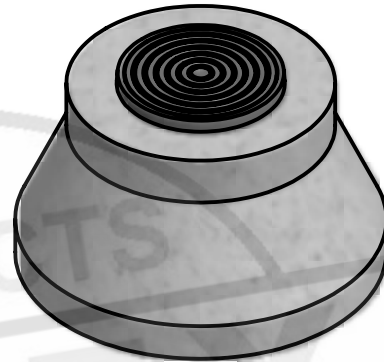
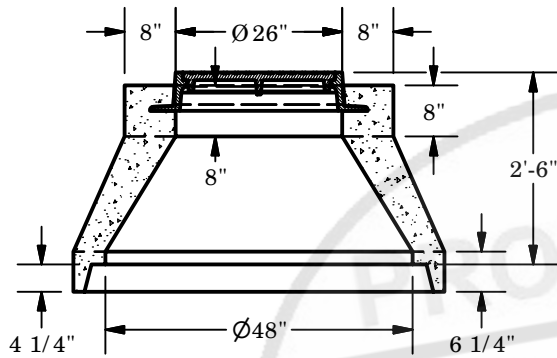
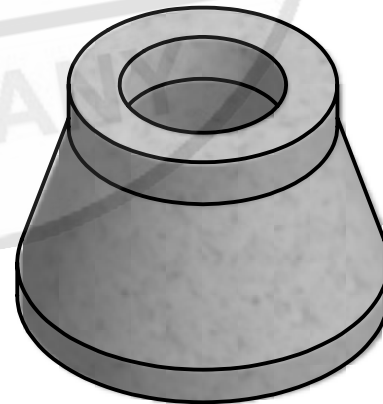
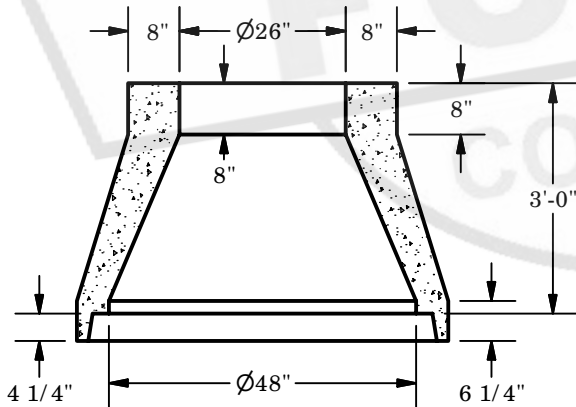


Ø48" (5") 2'-0" CONCENTRIC CONE
1.06 TONS



Ø48" (5") 2'-6" CONCENTRIC CONE
1.11 TONS (CONE ONLY)



Ø48" (5") 3'-0" CONCENTRIC CONE
1.42 TONS

MATERIALS:

CONCRETE: 4,000 PSI, TYPE I/II CEMENT
REINFORCEMENT PER ASIM C-478

NOTES:

Ø27" OPENING IF REQUIRED (SPECIAL ORDER)
FLEXIBLE CONNECTIONS ARE AVAILABLE



ROUND PRECAST

Ø48" (5") CONCENTRIC CONES

1.3