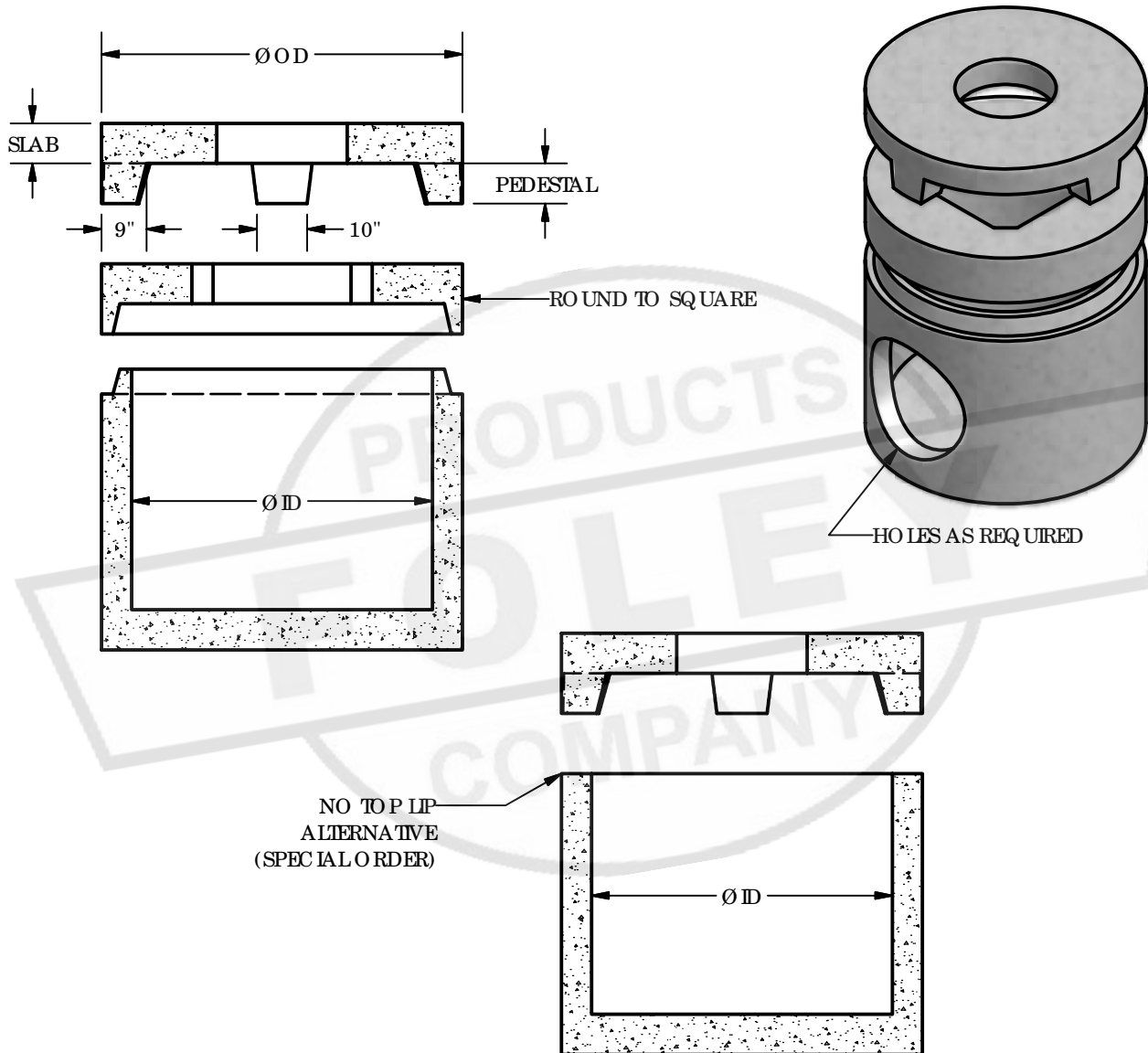


ID	OD	PEDESTAL	SLAB	TONS
48"	58"	6.0"	6"	0.69
60"	72"	8.0"	8"	1.41
72"	86"	8.0"	8"	2.02
84"	98"	7.0"	8"	2.62
96"	114"	7.5"	8"	3.54



**MATERIALS:**

CONCRETE: 4,000 PSI, TYPE I II CEMENT  
 REINFORCEMENT PER ASIM C-478

**NOTES:**

FLEXIBLE CONNECTIONS ARE AVAILABLE

**PARTS SHOWN:**

- Ø 60" PEDESTAL TOP
- Ø 60" ROUND TO SQUARE
- Ø 60" 4'-0" BASE W/ Ø 34" HOLE



**ROUND PRECAST**

PEDESTAL TO PS

**1.7**