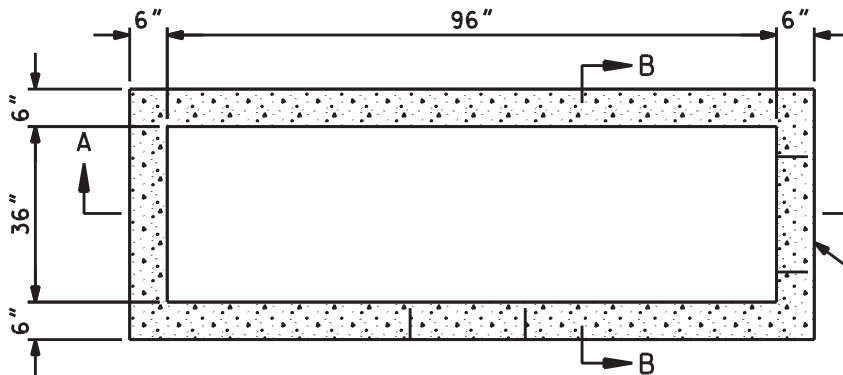
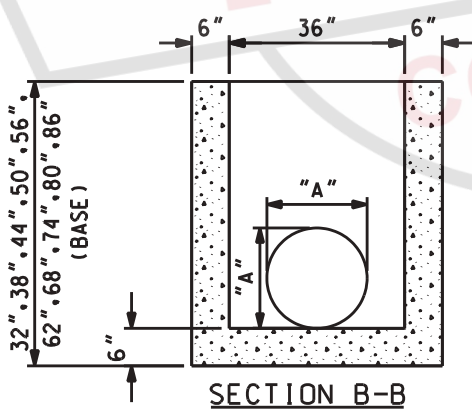
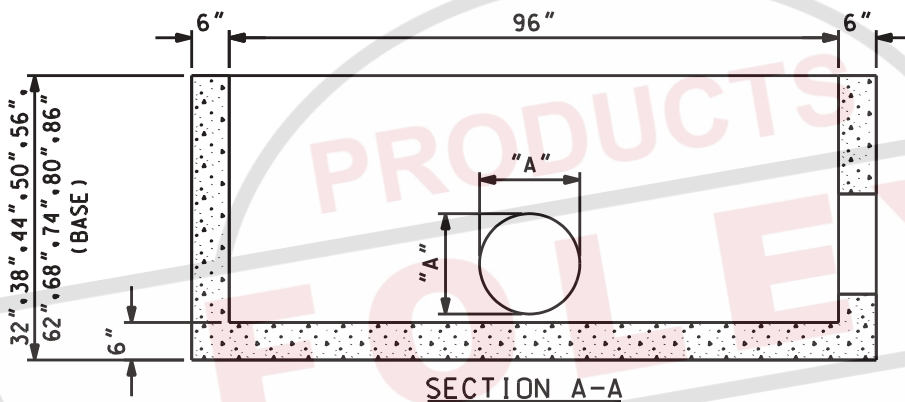


FLAT TOP
(WEIGHT: 2,600 lbs.)



MAXIMUM PIPE DIA.:
24" CONCRETE
30" CMP



WEIGHTS - MAX.

24" RISER:	3,600 lbs.
36" RISER:	5,400 lbs.
48" RISER:	7,200 lbs.
60" RISER:	9,000 lbs.
32" BASE:	6,600 lbs.
38" BASE:	7,500 lbs.
44" BASE:	8,400 lbs.
50" BASE:	9,300 lbs.
56" BASE:	10,200 lbs.
62" BASE:	11,100 lbs.
68" BASE:	12,000 lbs.
74" BASE:	12,900 lbs.
80" BASE:	13,800 lbs.
86" BASE:	14,700 lbs.

GENERAL NOTES:

1. ALL MATERIAL, DESIGN, MANUFACTURE, PHYSICAL TEST REQUIREMENTS, FINISH MARKING, INSPECTION, REJECTION AND REPAIRS TO MEET "SPECIFICATIONS FOR PRECAST-REINFORCED CONCRETE MANHOLE SECTIONS", PER ASTM C-913 (LATEST REVISION).

* CAN BE UTILIZED AS TDOT STANDARD: D-CB-14P, 14S, 26S 26P, 28P, 29S, 29P



HERMITAGE, TN LENOIR CITY, TN
FRANKLIN, TN CHATANOOGA, TN

36"x 96" CATCH BASIN

SCALE: NTS

PH# 1-800-737-0707

DWG# SRS-515

DATE: 09/12/08

SHEET# 1 OF 1