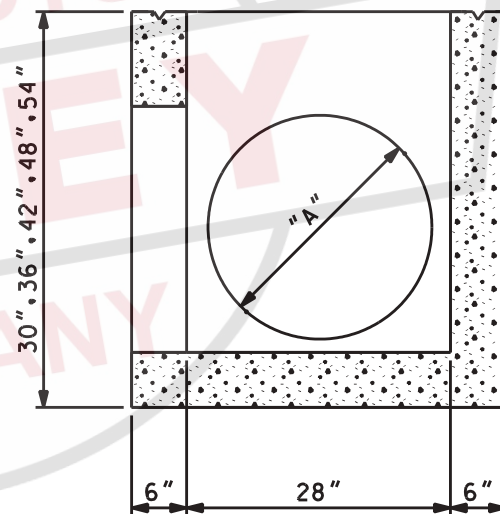


**SECTION A-A**



**SECTION B-B**

DIMENSION "A"  
AS REQUIRED

**WEIGHTS - MAX.**

- 30" BASE: 2.905 lbs.
- 36" BASE: 3.368 lbs.
- 42" BASE: 3.830 lbs.
- 48" BASE: 4.293 lbs.
- 54" BASE: 4.755 lbs.

**GENERAL NOTES:**

1. ALL MATERIAL, DESIGN, MANUFACTURE, PHYSICAL TEST REQUIREMENTS, FINISH MARKING, INSPECTION, REJECTION AND REPAIRS TO MEET "STANDARD SPECIFICATIONS FOR PRECAST CONCRETE WATER AND WASTEWATER STRUCTURES", PER ASTM C-913 (LATEST REVISION).



HERMITAGE, TN LENOIR CITY, TN  
FRANKLIN, TN CHATANOOGA, TN

28" x 34" CATCH BASIN

SCALE: NTS

PH# 1-800-737-0707

DWG# SRS-507

DATE: 09/12/08

SHEET# 1 OF 1