

OPTIONAL FLAT TOP (752 lbs)

WEIGHTS - MAX.

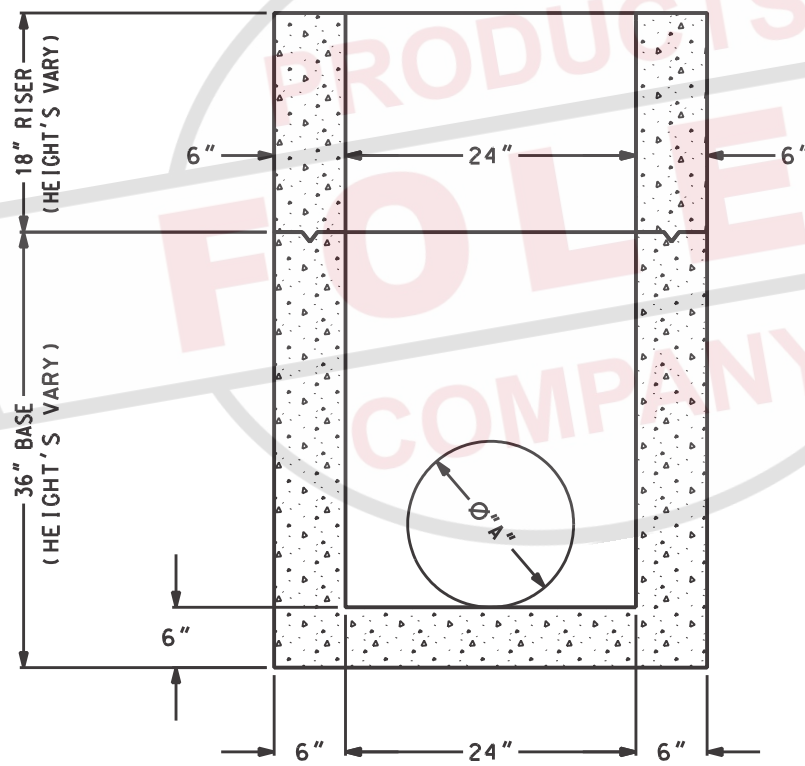
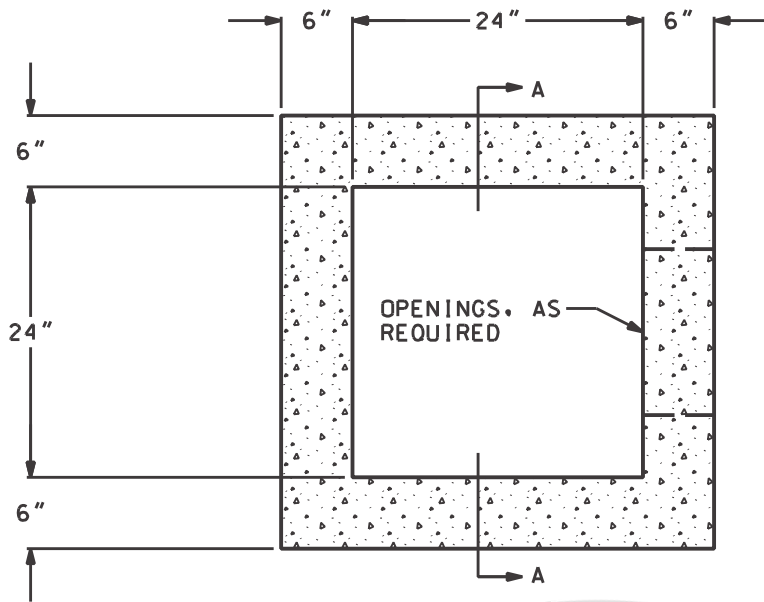
12" RISER:	800 lbs.
18" RISER:	1,200 lbs.
24" RISER:	1,600 lbs.
30" RISER:	2,000 lbs.
36" RISER:	2,400 lbs.
42" RISER:	2,800 lbs.
48" RISER:	3,200 lbs.
54" RISER:	3,600 lbs.
60" RISER:	4,000 lbs.
24" BASE:	1,854 lbs.
30" BASE:	2,254 lbs.
36" BASE:	2,654 lbs.
42" BASE:	3,054 lbs.
48" BASE:	3,454 lbs.
54" BASE:	3,854 lbs.
60" BASE:	4,254 lbs.
66" BASE:	4,654 lbs.
72" BASE:	5,054 lbs.

SECTION A-A

DIMENSION "A"
AS REQUIRED



HERMITAGE, TN LENOIR CITY, TN
FRANKLIN, TN CHATANOOGA, TN



SECTION A-A

WEIGHTS - MAX.

12" RISER = 700 LBS.
18" RISER = 1,050 LBS.
24" RISER = 1,400 LBS.
30" RISER = 1,750 LBS.
36" RISER = 2,100 LBS.
42" RISER = 2,450 LBS.
48" RISER = 2,800 LBS.
54" RISER = 3,150 LBS.
60" RISER = 3,500 LBS.
24" BASE = 1,737 LBS.
30" BASE = 2,087 LBS.
36" BASE = 2,450 LBS.
42" BASE = 2,787 LBS.
48" BASE = 3,137 LBS.
54" BASE = 3,487 LBS.
60" BASE = 3,837 LBS.
66" BASE = 4,187 LBS.
72" BASE = 4,537 LBS.

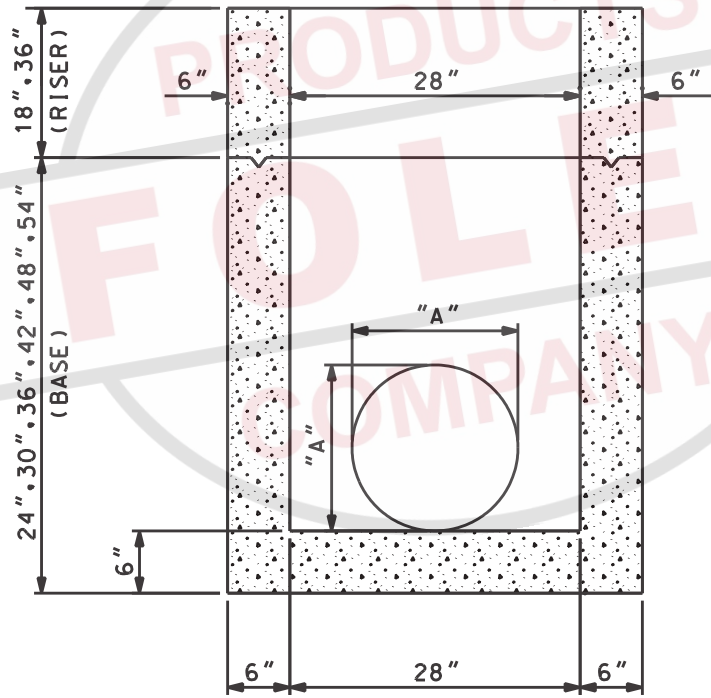
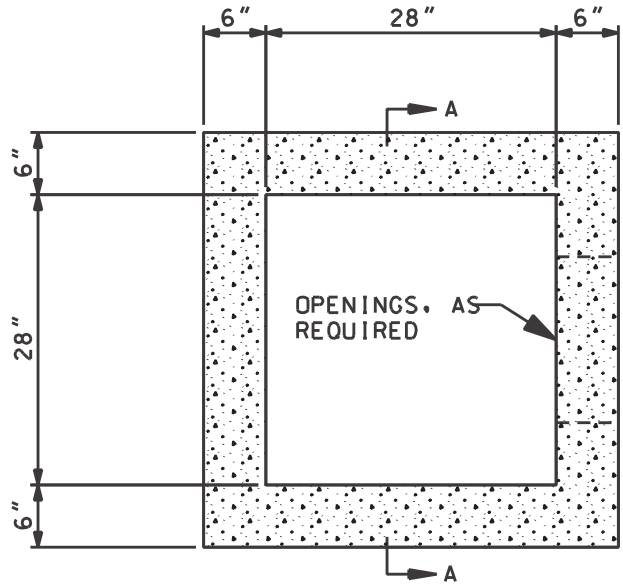
GENERAL NOTES:

1. ALL MATERIAL, DESIGN, MANUFACTURE, PHYSICAL TEST REQUIREMENTS, FINISH MARKING, INSPECTION, REJECTION AND REPAIRS TO MEET "STANDRD SPECIFICATIONS FOR PRECAST CONCRETE WATER AND WASTEWATER STRUCTURES", PER ASTM C-913 (LATEST REVISION).

DIMENSION "A"
AS REQUIRED



HERMITAGE, TN LENOIR CITY, TN
FRANKLIN, TN CHATANOOGA, TN



SECTION A-A

DIMENSION "A"
AS REQUIRED

WEIGHTS - MAX.

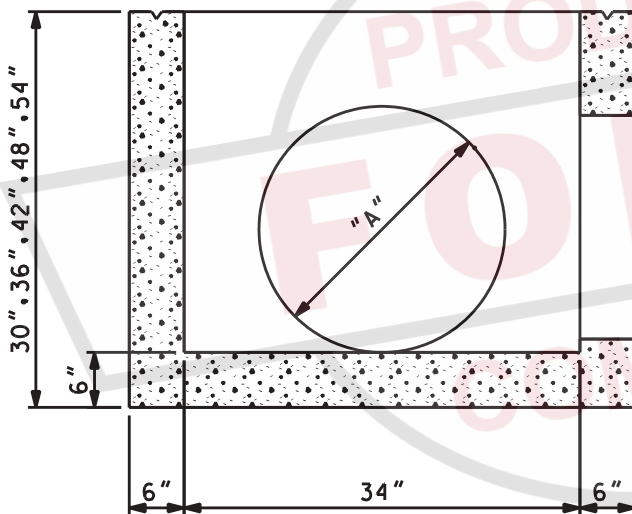
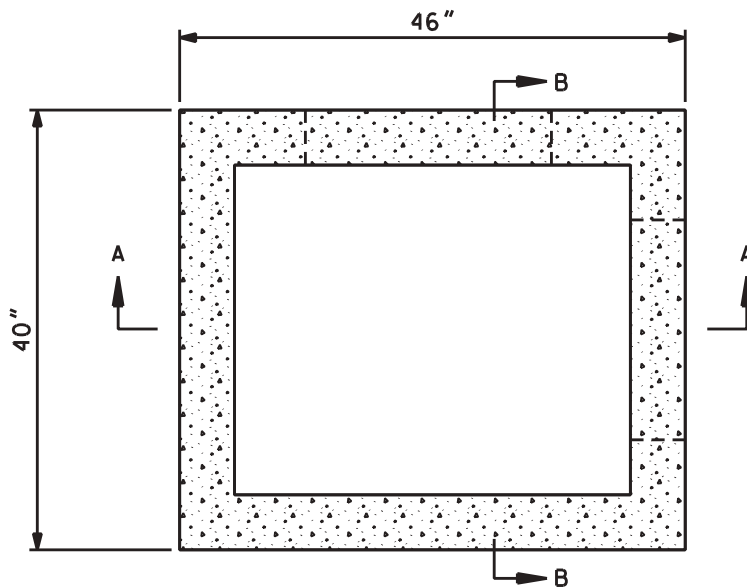
18" RISER:	1,278 lbs.
36" RISER:	2,556 lbs.
24" BASE:	2,114 lbs.
30" BASE:	2,534 lbs.
36" BASE:	2,954 lbs.
42" BASE:	3,379 lbs.
48" BASE:	3,876 lbs.
54" BASE:	4,364 lbs.

GENERAL NOTES:

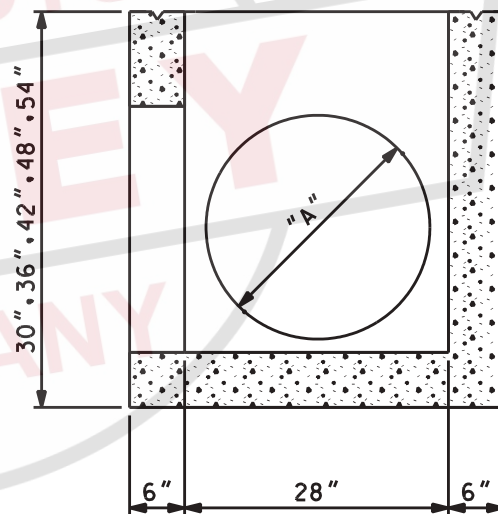
1. ALL MATERIAL, DESIGN, MANUFACTURE, PHYSICAL TEST REQUIREMENTS, FINISH MARKING, INSPECTION, REJECTION, AND REPAIRS TO MEET "STANDARD SPECIFICATIONS FOR PRECAST CONCRETE WATER AND WASTEWATER STRUCTURES", PER ASTM C-913 (LATEST REVISION).



HERMITAGE, TN LENOIR CITY, TN
FRANKLIN, TN CHATANOOGA, TN



SECTION A-A



SECTION B-B

DIMENSION "A"
AS REQUIRED

WEIGHTS - MAX.

- 30" BASE: 2.905 lbs.
- 36" BASE: 3.368 lbs.
- 42" BASE: 3.830 lbs.
- 48" BASE: 4.293 lbs.
- 54" BASE: 4.755 lbs.

GENERAL NOTES:

1. ALL MATERIAL, DESIGN, MANUFACTURE, PHYSICAL TEST REQUIREMENTS, FINISH MARKING, INSPECTION, REJECTION AND REPAIRS TO MEET "STANDARD SPECIFICATIONS FOR PRECAST CONCRETE WATER AND WASTEWATER STRUCTURES", PER ASTM C-913 (LATEST REVISION).



HERMITAGE, TN LENOIR CITY, TN
FRANKLIN, TN CHATANOOGA, TN

28" x 34" CATCH BASIN

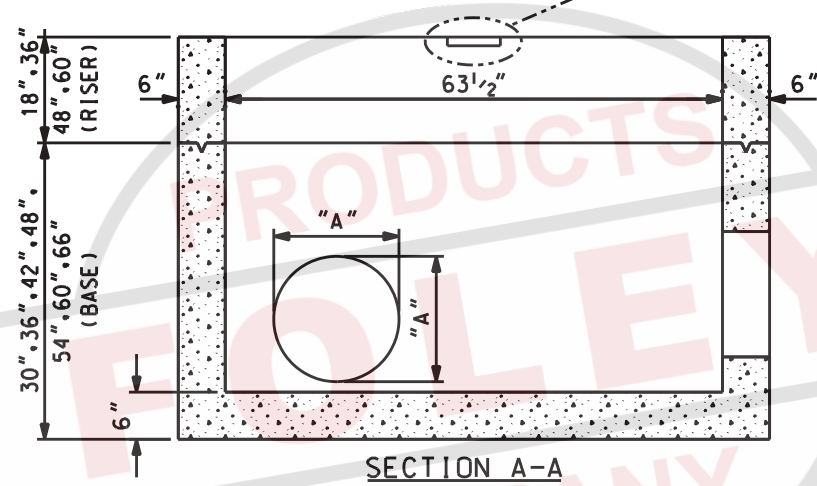
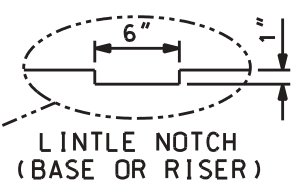
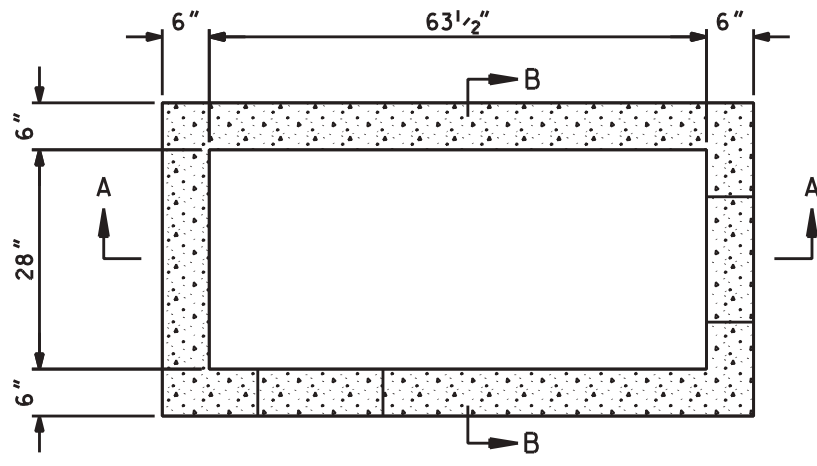
SCALE: NTS

PH# 1-800-737-0707

DWG# SRS-507

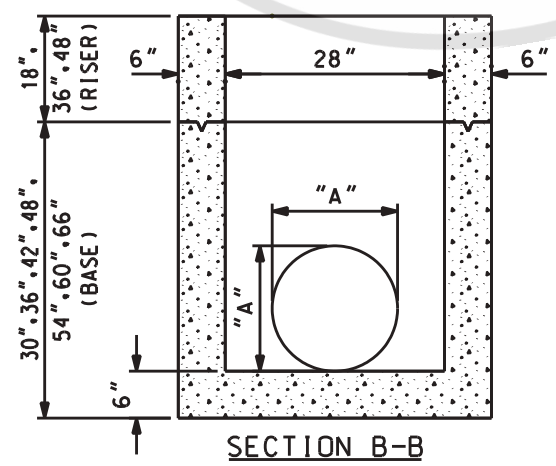
DATE: 09/12/08

SHEET# 1 OF 1



WEIGHTS - MAX.

- 18" RISER: 1.940 lbs.
- 36" RISER: 3.880 lbs.
- 48" RISER: 5.173 lbs.
- 60" RISER: 6.465 lbs.



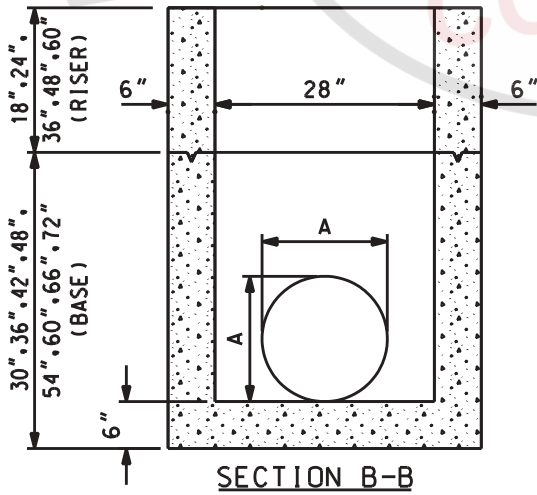
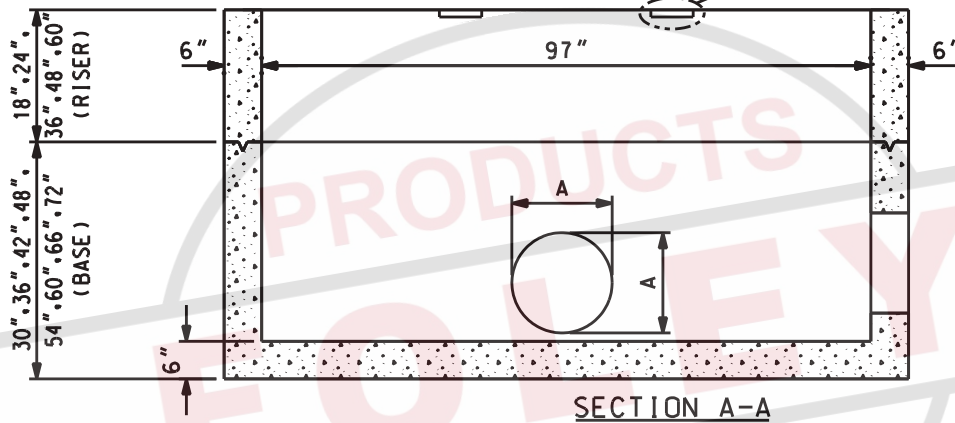
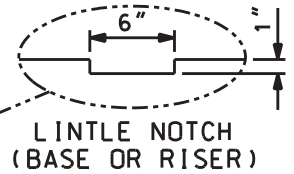
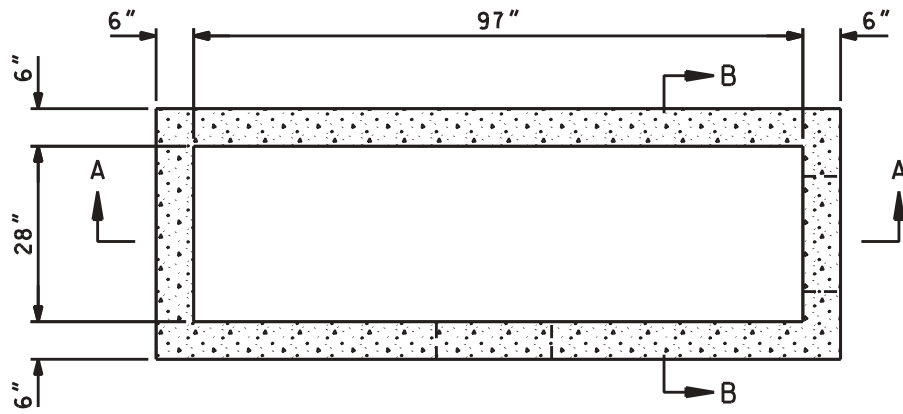
WEIGHTS - MAX.

- 30" BASE: 4.157 lbs.
- 36" BASE: 4.804 lbs.
- 42" BASE: 5.549 lbs.
- 48" BASE: 6.096 lbs.
- 54" BASE: 6.696 lbs.
- 60" BASE: 7.190 lbs.
- 66" BASE: 7.737 lbs.

DIMENSION "A"
AS REQUIRED



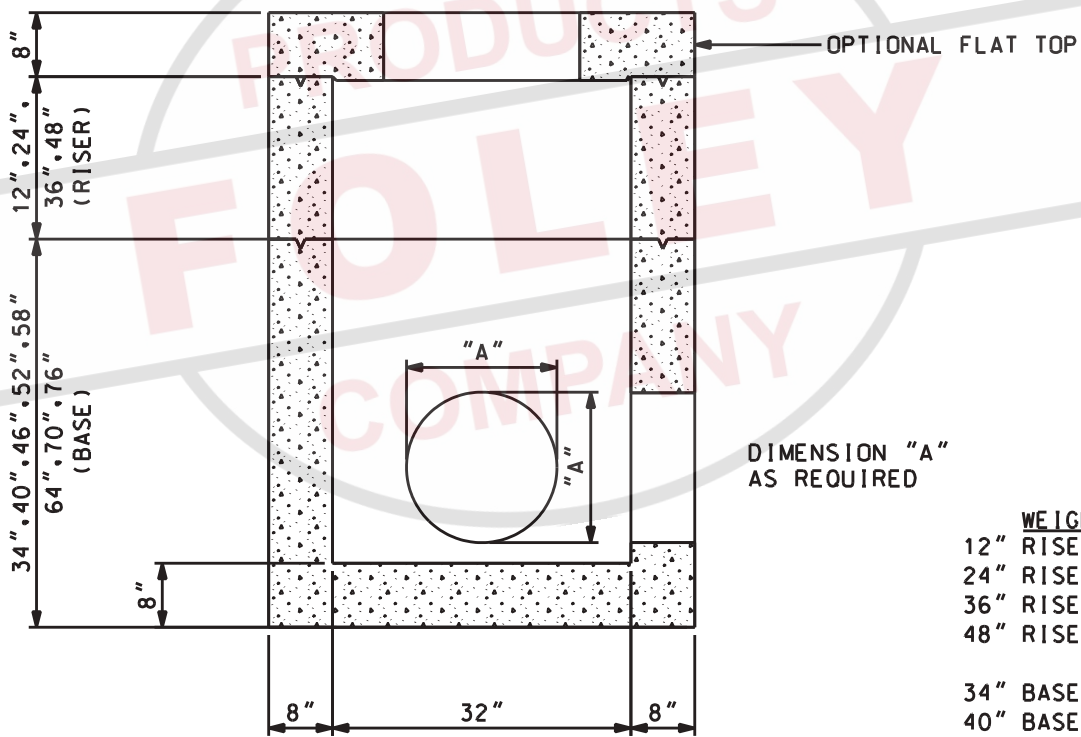
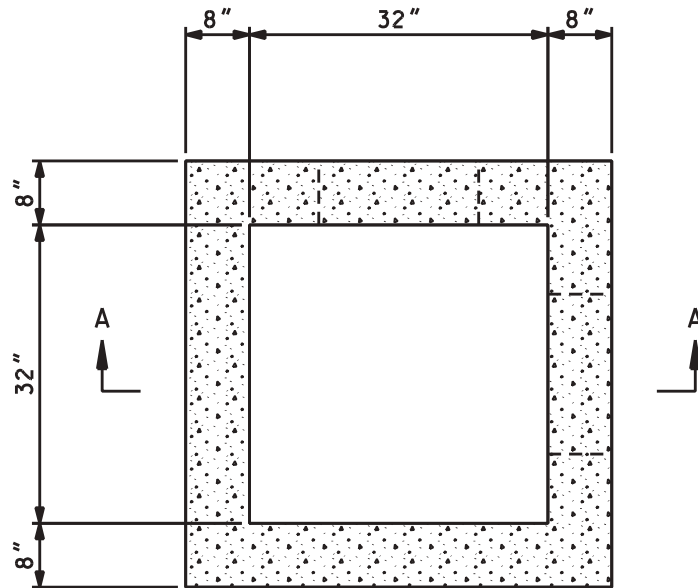
HERMITAGE, TN LENOIR CITY, TN
FRANKLIN, TN CHATANOOGA, TN



WEIGHTS - MAX.

18" RISER:	2.567 lbs.
24" RISER:	3.423 lbs.
36" RISER:	5.135 lbs.
48" RISER:	6.846 lbs.
60" RISER:	8.558 lbs.
30" BASE:	5.691 lbs.
36" BASE:	6.547 lbs.
42" BASE:	7.403 lbs.
48" BASE:	8.259 lbs.
54" BASE:	9.115 lbs.
60" BASE:	9.971 lbs.
66" BASE:	10.827 lbs.
72" BASE:	11.683 lbs.





DIMENSION "A"
AS REQUIRED

WEIGHTS - MAX.

12" RISER:	1,335 lbs.
24" RISER:	2,670 lbs.
36" RISER:	4,005 lbs.
48" RISER:	5,340 lbs.

34" BASE:	4,494 lbs.
40" BASE:	5,160 lbs.
46" BASE:	5,827 lbs.
52" BASE:	6,500 lbs.
58" BASE:	7,159 lbs.
64" BASE:	7,825 lbs.
70" BASE:	8,490 lbs.
76" BASE:	9,190 lbs.

SECTION A-A

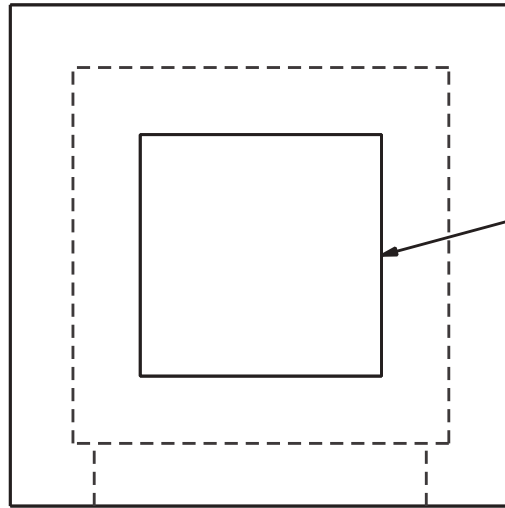
GENERAL NOTES:

1. ALL MATERIAL, DESIGN, MANUFACTURE, PHYSICAL TEST REQUIREMENTS, FINISH MARKING, INSPECTION, REJECTION AND REPAIRS TO MEET "STANDARD SPECIFICATIONS FOR PRECAST CONCRETE WATER AND WASTEWATER STRUCTURES", PER ASTM C-913 (LATEST REVISION).

* CAN BE UTILIZED AS TDOT STANDARD:
D-CB-12LP, 25LP, 28LP, 38S, 41LP, 42S, D-JBS-1, D-SDS-1

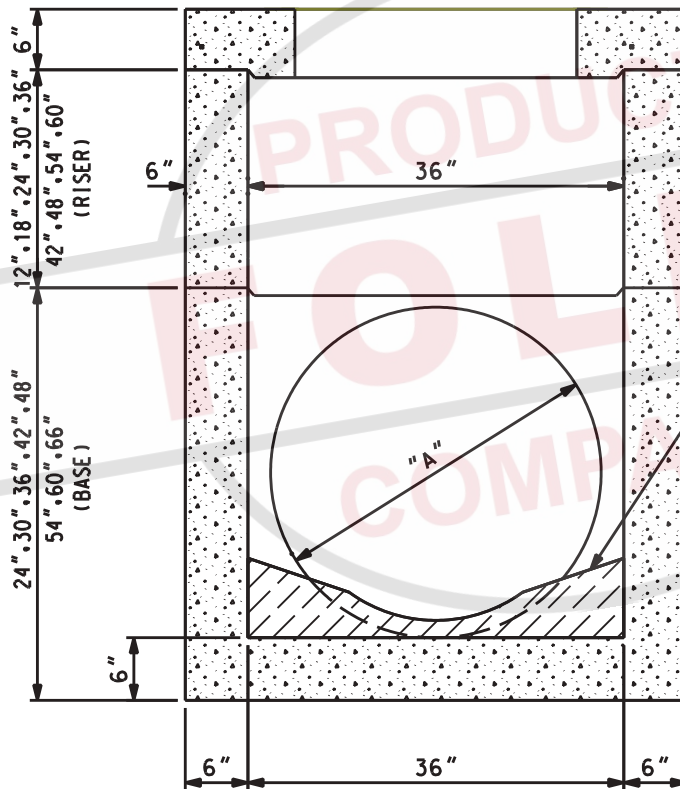


HERMITAGE, TN LENOIR CITY, TN
FRANKLIN, TN CHATANOOGA, TN



OPENING (AS
REQUIRED)
IN TOP SLAB

FLAT TOP
(WEIGHT: 1,600 lbs.)



PREFORMED
INVERT (AS
NEEDED)

WEIGHTS - MAX

12" RISER:	1,050 lbs
18" RISER:	1,575 lbs
24" RISER:	2,100 lbs
30" RISER:	2,625 lbs
36" RISER:	3,150 lbs
42" RISER:	3,675 lbs
48" RISER:	4,200 lbs
54" RISER:	4,725 lbs
60" RISER:	5,250 lbs
24" BASE:	2,767 lbs
30" BASE:	3,292 lbs
36" BASE:	3,817 lbs
42" BASE:	4,342 lbs
48" BASE:	4,867 lbs
54" BASE:	5,392 lbs
60" BASE:	5,917 lbs
66" BASE:	6,442 lbs

GENERAL NOTES:

1. ALL MATERIAL, DESIGN, MANUFACTURE, PHYSICAL TEST REQUIREMENTS, FINISH MARKING, INSPECTION, REJECTION AND REPAIRS TO MEET "STANDARD SPECIFICATIONS FOR PRECAST CONCRETE WATER AND WASTEWATER STRUCTURES", PER ASTM C-913 (LATEST REVISION).

DIMENSION "A"
AS REQUIRED



HERMITAGE, TN LENOIR CITY, TN
FRANKLIN, TN CHATANOOGA, TN

36" x 36" CATCH BASIN (6" WALL)

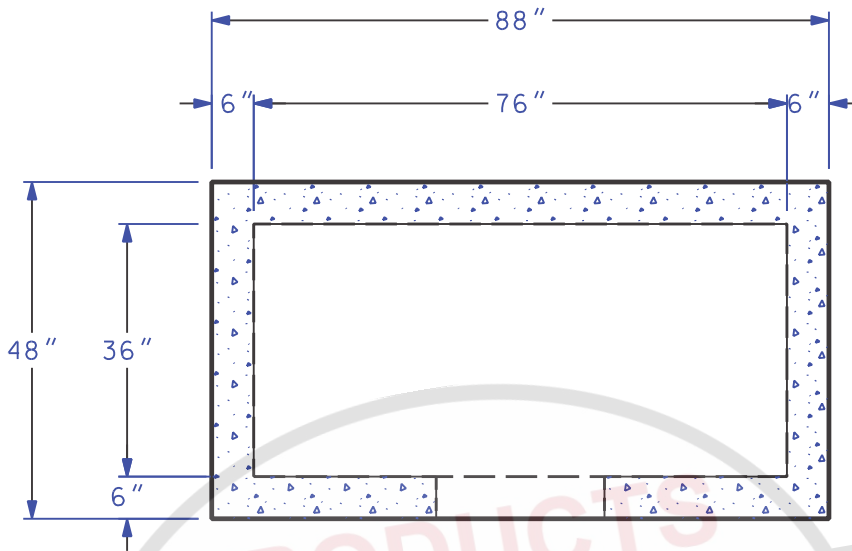
SCALE: NTS

PH# 1-800-737-0707

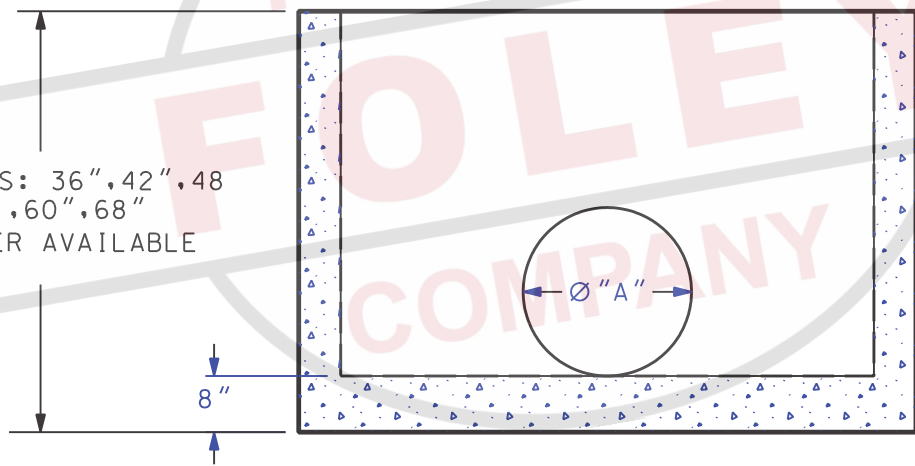
DWG# SRS-513

DATE: 09/12/08

SHEET# 1 OF 1



BASE HT'S: 36", 42", 48",
 54", 60", 68"
 NO RISER AVAILABLE



WEIGHTS - MAX

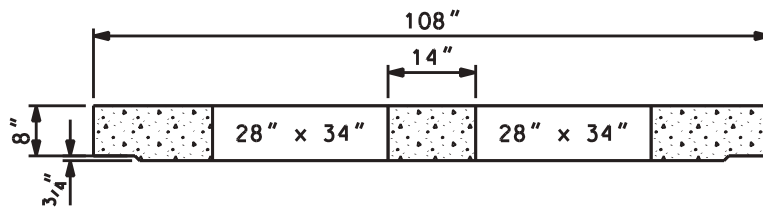
- 36" BASE = 6.559 LBS
- 42" BASE = 7.334 LBS
- 48" BASE = 8.110 LBS
- 54" BASE = 8.884 LBS
- 60" BASE = 9.660 LBS
- 68" BASE = 10.692 LBS

GENERAL NOTES:

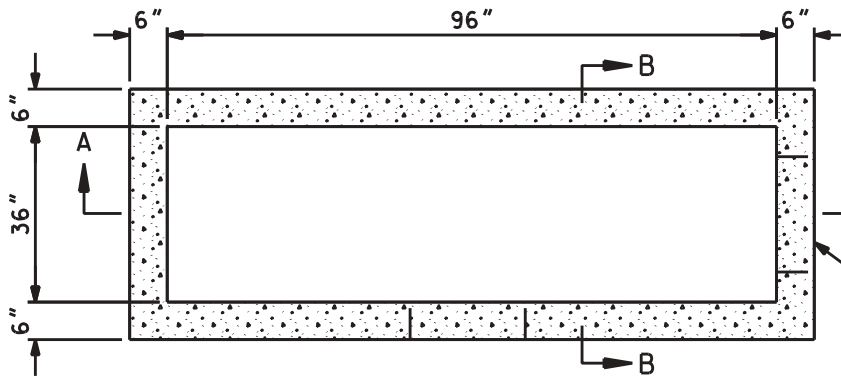
1. ALL MATERIAL, DESIGN, MANUFACTURE, PHYSICAL TEST REQUIREMENTS, FINISH MARKING, INSPECTION, REJECTION AND REPAIRS TO MEET "STANDARD SPECIFICATIONS FOR PRECAST CONCRETE WATER AND WASTEWATER STRUCTURES", PER ASTM C-913 (LATEST REVISION).



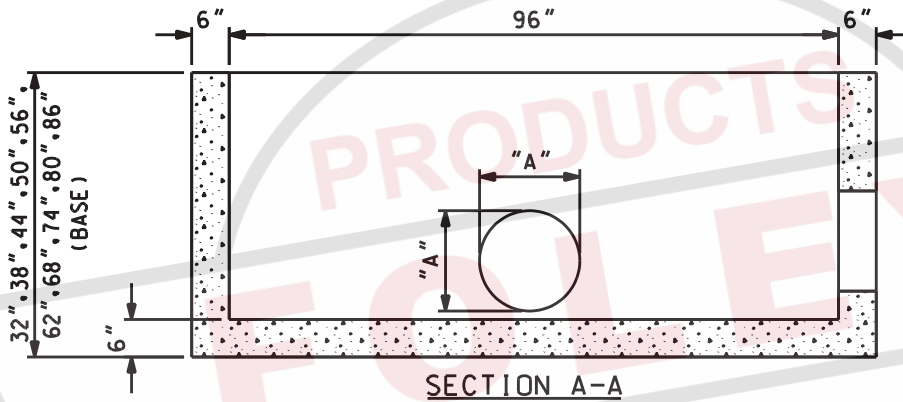
HERMITAGE, TN LENOIR CITY, TN
 FRANKLIN, TN CHATANOOGA, TN



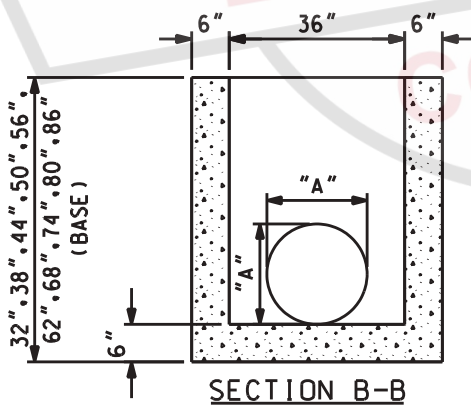
FLAT TOP
(WEIGHT: 2,600 lbs.)



MAXIMUM PIPE DIA.:
24" CONCRETE
30" CMP



SECTION A-A



SECTION B-B

WEIGHTS - MAX.

24" RISER:	3,600 lbs.
36" RISER:	5,400 lbs.
48" RISER:	7,200 lbs.
60" RISER:	9,000 lbs.
32" BASE:	6,600 lbs.
38" BASE:	7,500 lbs.
44" BASE:	8,400 lbs.
50" BASE:	9,300 lbs.
56" BASE:	10,200 lbs.
62" BASE:	11,100 lbs.
68" BASE:	12,000 lbs.
74" BASE:	12,900 lbs.
80" BASE:	13,800 lbs.
86" BASE:	14,700 lbs.

GENERAL NOTES:

1. ALL MATERIAL, DESIGN, MANUFACTURE, PHYSICAL TEST REQUIREMENTS, FINISH MARKING, INSPECTION, REJECTION AND REPAIRS TO MEET "SPECIFICATIONS FOR PRECAST-REINFORCED CONCRETE MANHOLE SECTIONS", PER ASTM C-913 (LATEST REVISION).

* CAN BE UTILIZED AS TDOT STANDARD: D-CB-14P, 14S, 26S 26P, 28P, 29S, 29P



HERMITAGE, TN LENOIR CITY, TN
FRANKLIN, TN CHATANOOGA, TN

36"x 96" CATCH BASIN

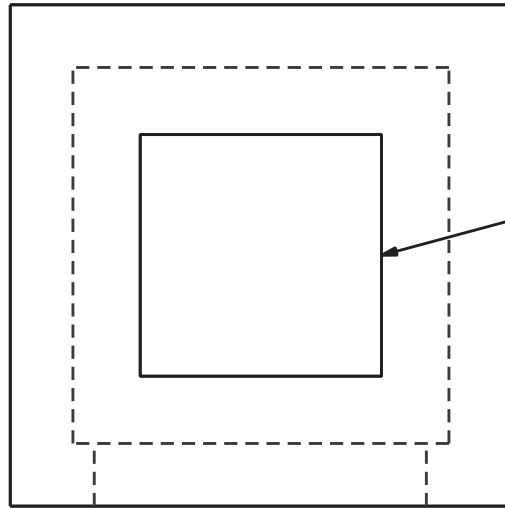
SCALE: NTS

PH# 1-800-737-0707

DWG# SRS-515

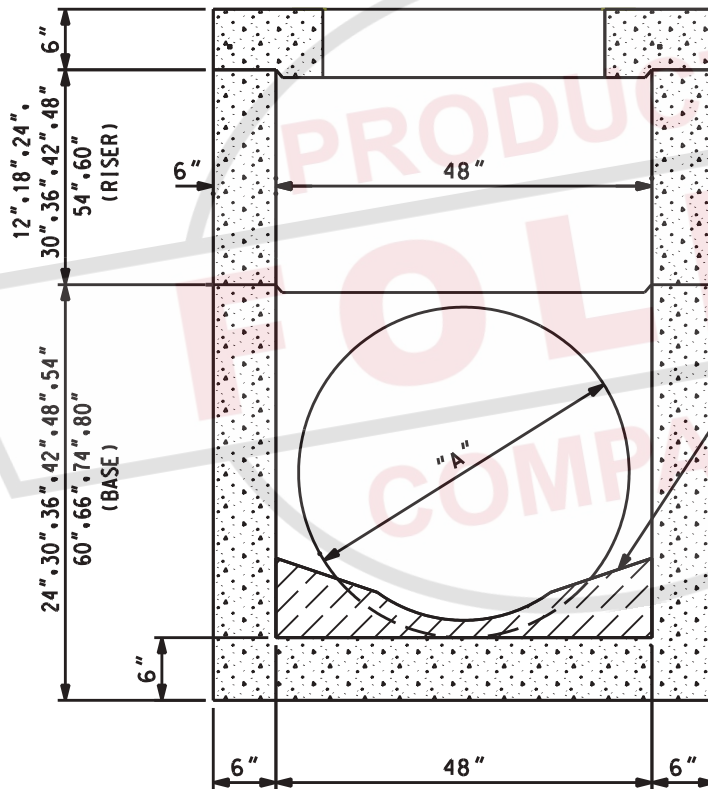
DATE: 09/12/08

SHEET# 1 OF 1



OPENING (AS
REQUIRED)
IN TOP SLAB

FLAT TOP
(WEIGHT: 1.875 lbs.)



WEIGHTS - MAX.

12" RISER:	1.350 lbs.
18" RISER:	2.025 lbs.
24" RISER:	2.700 lbs.
30" RISER:	3.375 lbs.
36" RISER:	4.050 lbs.
42" RISER:	4.725 lbs.
48" RISER:	5.400 lbs.
54" RISER:	6.075 lbs.
60" RISER:	6.750 lbs.

24" BASE:	3.900 lbs.
30" BASE:	4.575 lbs.
36" BASE:	5.250 lbs.
42" BASE:	5.925 lbs.
48" BASE:	6.600 lbs.
54" BASE:	7.275 lbs.
60" BASE:	7.950 lbs.
66" BASE:	8.625 lbs.

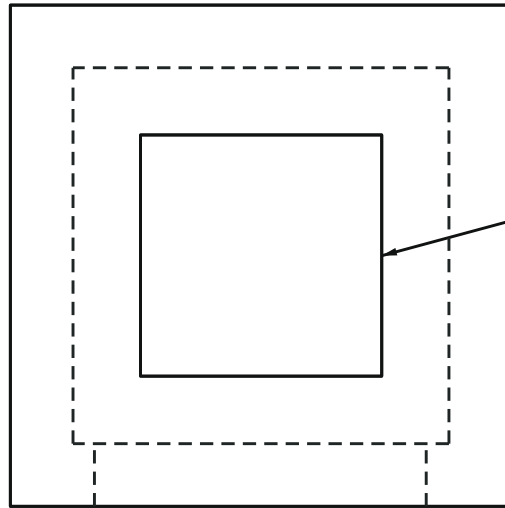
GENERAL NOTES:

1. ALL MATERIAL, DESIGN, MANUFACTURE, PHYSICAL TEST REQUIREMENTS, FINISH MARKING, INSPECTION, REJECTION AND REPAIRS TO MEET "STANDARD SPECIFICATIONS FOR PRECAST CONCRETE WATER AND WASTEWATER STRUCTURES", PER ASTM C-913 (LATEST REVISION).

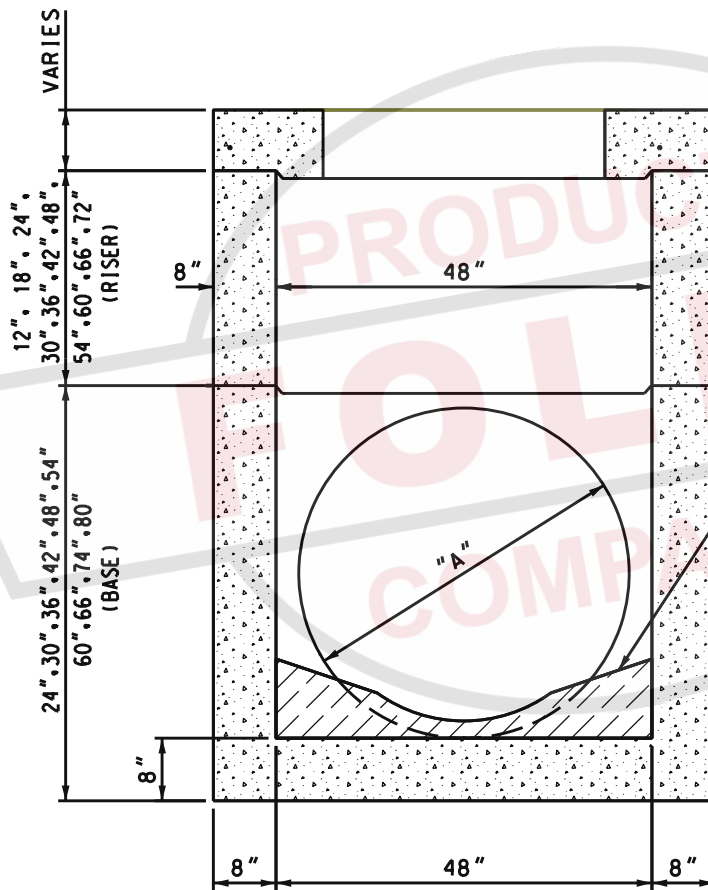
DIMENSION "A"
AS REQUIRED



HERMITAGE, TN LENOIR CITY, TN
FRANKLIN, TN CHATANOOGA, TN



OPENING (AS
REQUIRED)
IN TOP SLAB



WEIGHTS - MAX.	
12" RISER:	1,861 lbs.
18" RISER:	2,792 lbs.
24" RISER:	3,722 lbs.
30" RISER:	4,653 lbs.
36" RISER:	5,583 lbs.
42" RISER:	6,514 lbs.
48" RISER:	7,444 lbs.
54" RISER:	8,375 lbs.
60" RISER:	9,305 lbs.
66" RISER:	10,236 lbs.
72" RISER:	11,166 lbs.
24" BASE:	5,330 lbs.
30" BASE:	6,260 lbs.
36" BASE:	7,190 lbs.
42" BASE:	8,120 lbs.
48" BASE:	9,050 lbs.
54" BASE:	9,980 lbs.
60" BASE:	10,910 lbs.
66" BASE:	11,840 lbs.
74" BASE:	13,050 lbs.
80" BASE:	13,980 lbs.

GENERAL NOTES:

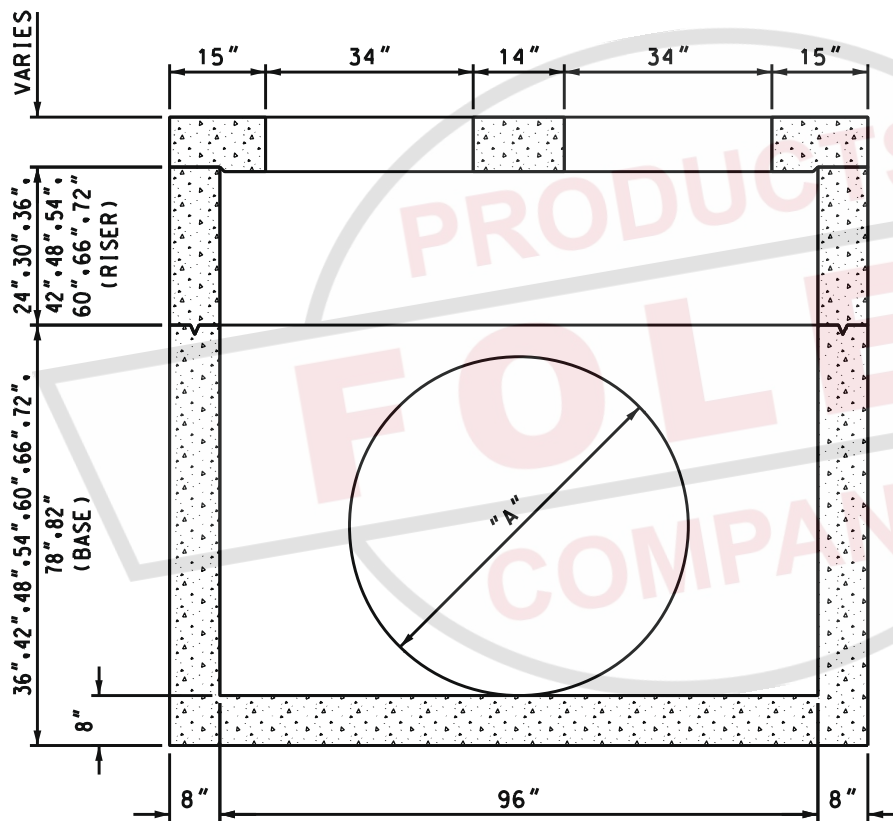
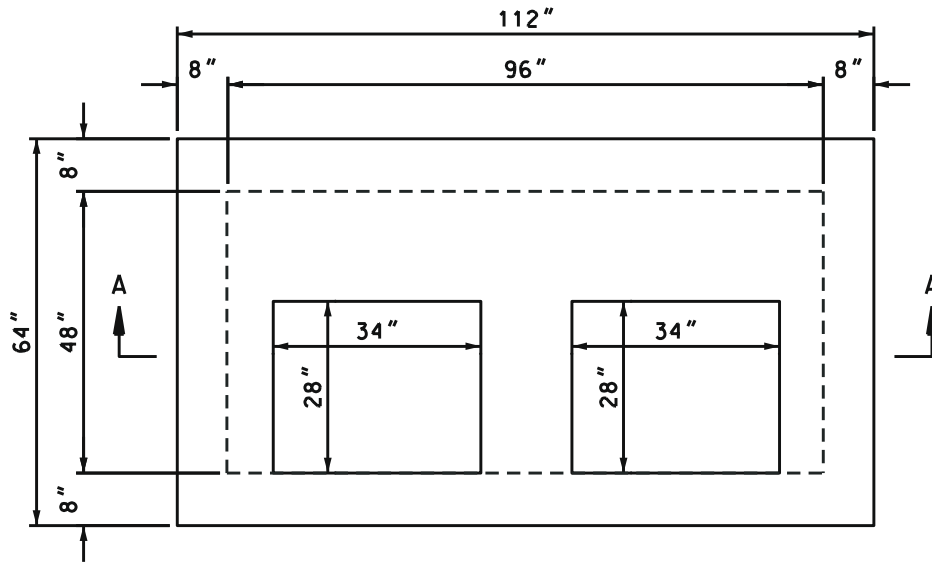
1. ALL MATERIAL, DESIGN, MANUFACTURE, PHYSICAL TEST REQUIREMENTS, FINISH MARKING, INSPECTION, REJECTION AND REPAIRS TO MEET "STANDARD SPECIFICATIONS FOR PRECAST CONCRETE WATER AND WASTEWATER STRUCTURES", PER ASTM C-913 (LATEST REVISION).

DIMENSION "A"
AS REQUIRED

* CAN BE UTILIZED AS TDDT STANDARD: 10SB, 12SB, 25SB, 38SB, 39S, 41SB, 42SB, D-JBS-2, D-SDS-2A, 2B



HERMITAGE, TN LENOIR CITY, TN
FRANKLIN, TN CHATANOOGA, TN



SECTION A-A

WEIGHTS - MAX.

24" RISER:	5.318 lbs.
30" RISER:	6.648 lbs.
36" RISER:	7.977 lbs.
42" RISER:	9.307 lbs.
48" RISER:	10.636 lbs.
54" RISER:	11.966 lbs.
60" RISER:	13.295 lbs.
66" RISER:	14.630 lbs.
72" RISER:	15.960 lbs.
36" BASE:	11.200 lbs.
42" BASE:	12.532 lbs.
48" BASE:	13.861 lbs.
54" BASE:	15.191 lbs.
60" BASE:	16.520 lbs.
66" BASE:	17.850 lbs.
72" BASE:	19.179 lbs.
78" BASE:	20.509 lbs.
82" BASE:	21.395 lbs.

GENERAL NOTES:

1. ALL MATERIAL, DESIGN, MANUFACTURE, PHYSICAL TEST REQUIREMENTS, FINISH MARKING, INSPECTION, REJECTION AND REPAIRS TO MEET "STANDARD SPECIFICATIONS FOR PRECAST CONCRETE WATER AND WASTEWATER STRUCTURES", PER ASTM C-913 (LATEST REVISION).

* CAN BE UTILIZED AS TDOT STANDARD: D-CB-16S, 27S, 40S, 43SB, 45S

DIMENSION "A"
AS REQUIRED



HERMITAGE, TN LENOIR CITY, TN
FRANKLIN, TN CHATANOOGA, TN

48"x 96" CATCH BASIN

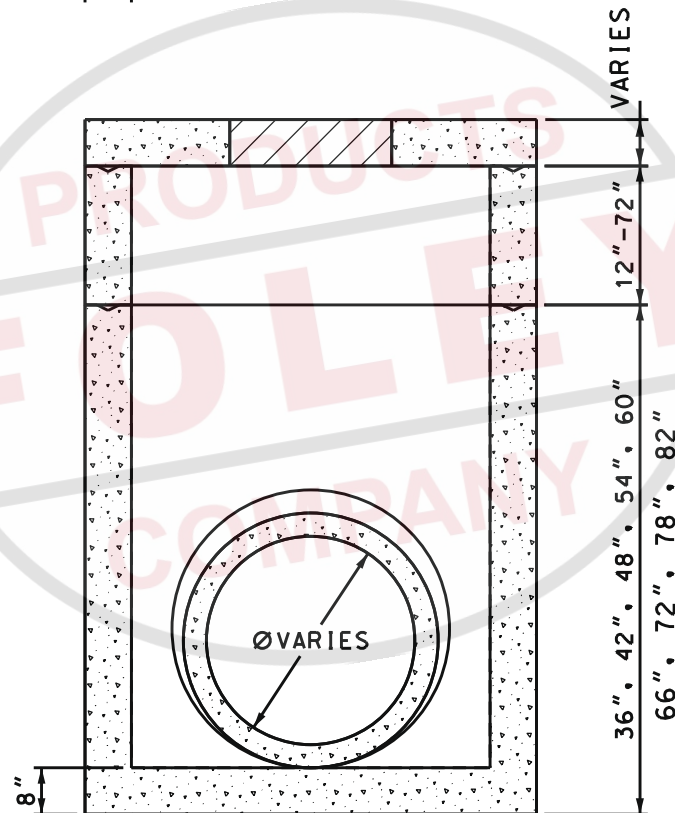
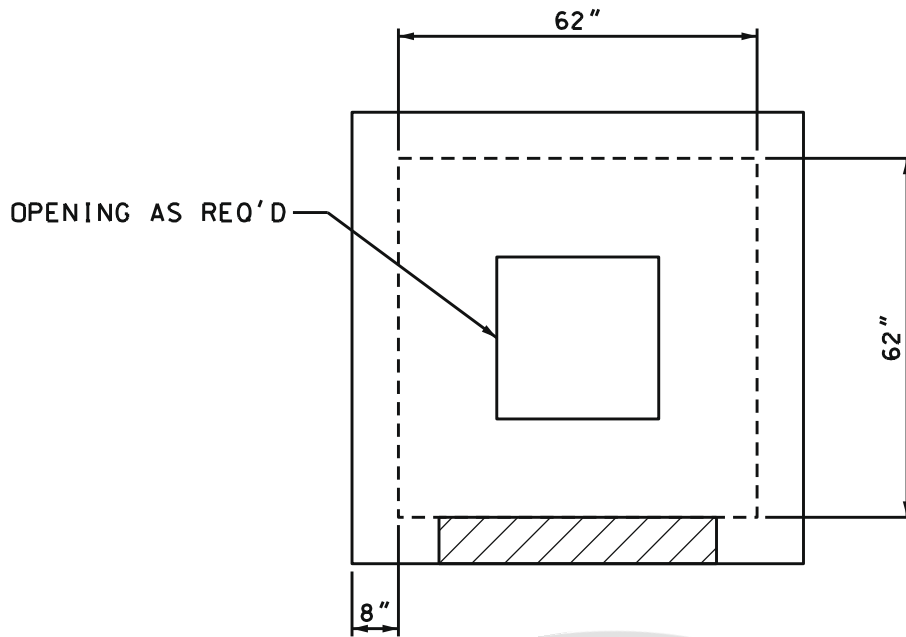
SCALE: NTS

PH• 1-800-737-0707

DWG# SRS-518

DATE: 09/12/08

SHEET# 1 OF 1



GENERAL NOTES:

1. ALL MATERIAL, DESIGN, MANUFACTURE, PHYSICAL TEST REQUIREMENTS, FINISH MARKING, INSPECTION, REJECTION AND REPAIRS TO MEET "SPECIFICATIONS FOR PRECAST-REINFORCED CONCRETE MANHOLE SECTIONS", PER ASTM C-478 (LATEST REVISION).

BASE WEIGHTS

36"	-	9.692 lbs.
42"	-	10.859 lbs.
48"	-	12.026 lbs.
54"	-	13.193 lbs.
60"	-	14.360 lbs.
66"	-	15.527 lbs.
72"	-	16.694 lbs.
78"	-	17.861 lbs.
82"	-	18.639 lbs.

* CAN BE UTILIZED AS TDOT STANDARD: D-CB-12SC, 25SC, 38SC, 39SC, 41SC, 42SC, 51SC, D-JBS-3, D-MH-5, D-SDS-3A



HERMITAGE, TN LENOIR CITY, TN
FRANKLIN, TN CHATANOOGA, TN

62" X 62" CATCH BASIN

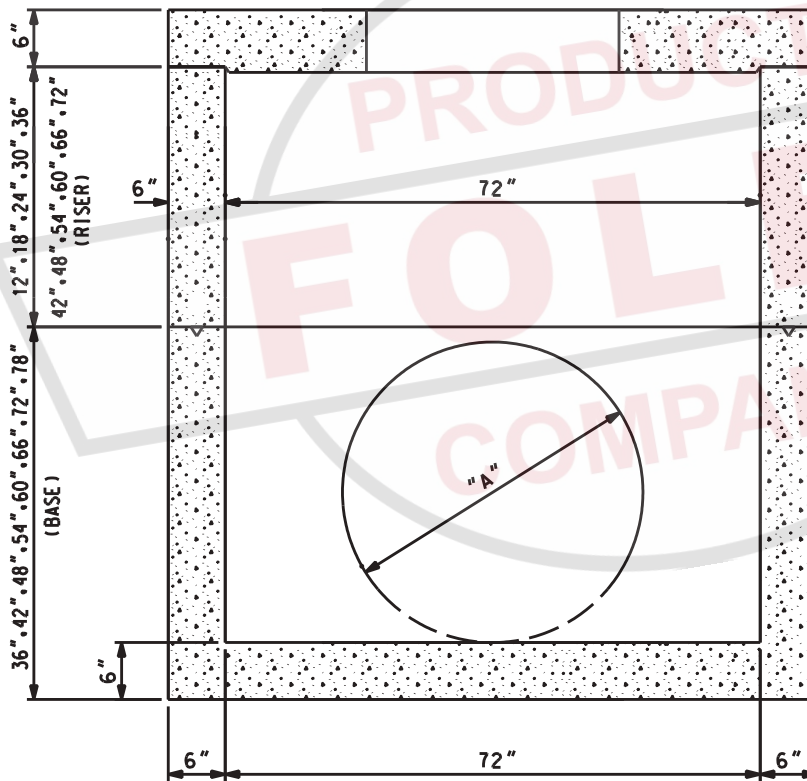
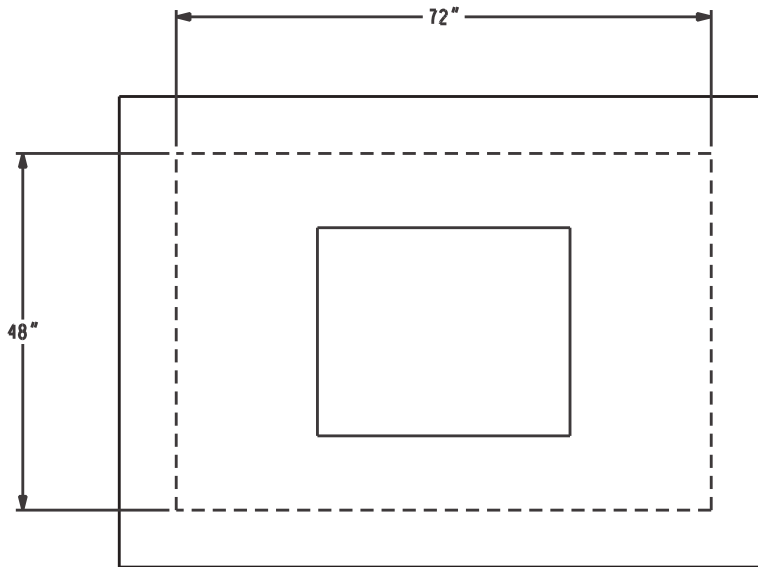
SCALE: NTS

PH# 1-800-737-0707

DWG# SRS-520

DATE: 01/22/12

SHEET# 1 OF 1



WEIGHTS - MAX.

12" RISER:	1.650 lbs.
18" RISER:	2.475 lbs.
24" RISER:	3.300 lbs.
30" RISER:	4.125 lbs.
36" RISER:	4.950 lbs.
42" RISER:	5.775 lbs.
48" RISER:	6.600 lbs.
54" RISER:	7.425 lbs.
60" RISER:	8.250 lbs.
66" RISER:	9.075 lbs.
72" RISER:	9.900 lbs.

36" BASE:	6.750 lbs.
42" BASE:	7.575 lbs.
48" BASE:	8.400 lbs.
54" BASE:	9.225 lbs.
60" BASE:	10.050 lbs.
66" BASE:	10.875 lbs.
72" BASE:	11.700 lbs.
78" BASE:	12.525 lbs.

DIMENSION "A"
AS REQUIRED

GENERAL NOTES:

1. ALL MATERIAL, DESIGN, MANUFACTURE, PHYSICAL TEST REQUIREMENTS, FINISH MARKING, INSPECTION, REJECTION AND REPAIRS TO MEET "STANDARD SPECIFICATIONS FOR PRECAST CONCRETE WATER AND WASTEWATER STRUCTURES", PER ASTM C-913 (LATEST REVISION).



HERMITAGE, TN LENOIR CITY, TN
FRANKLIN, TN CHATANOOGA, TN

48" X 72" CATCH BASIN

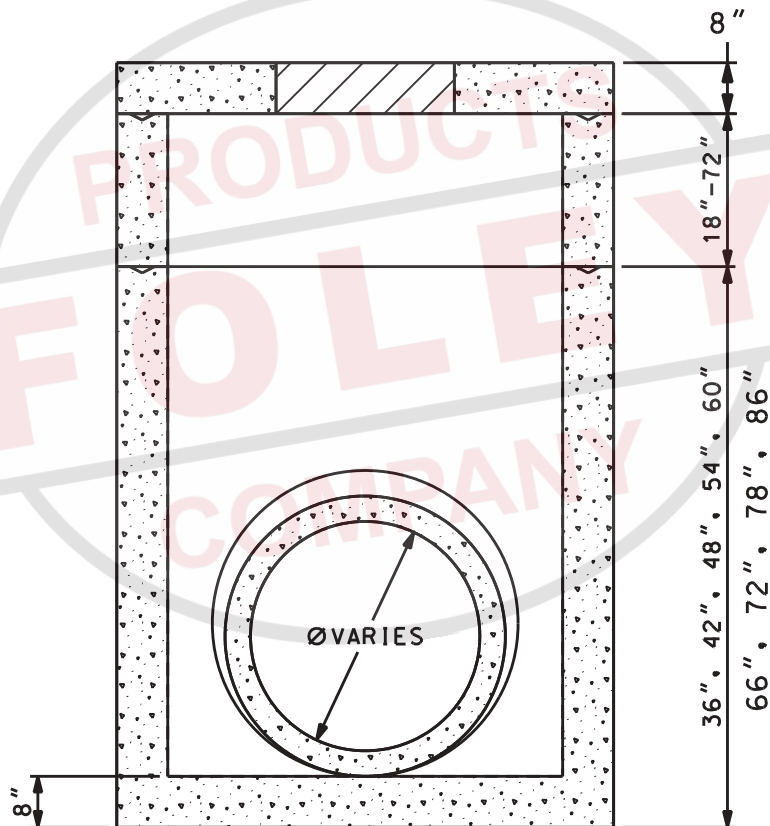
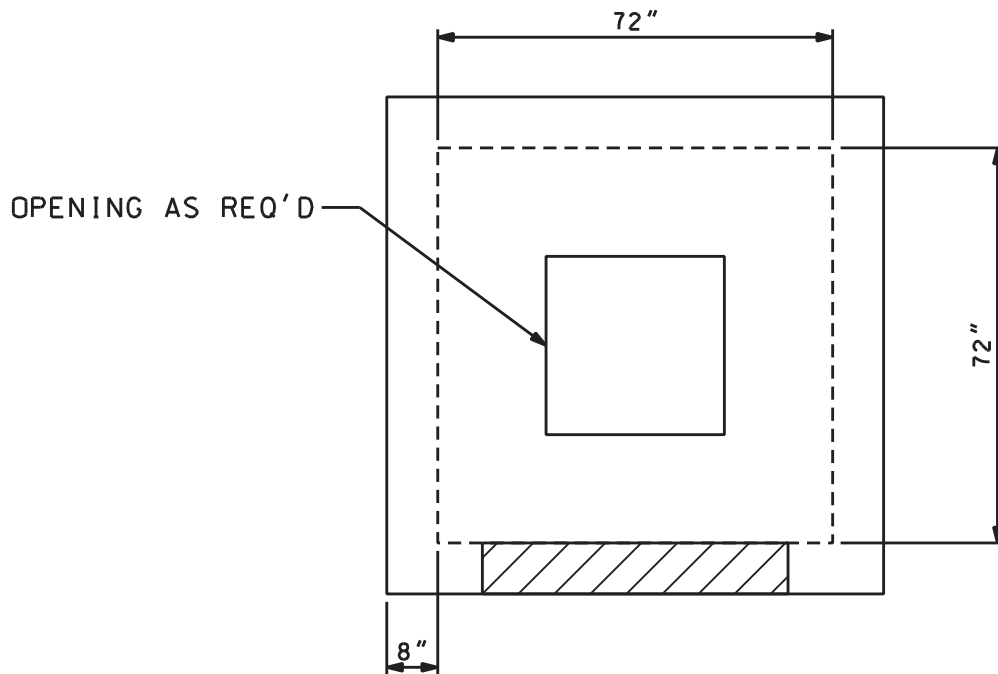
SCALE: NTS

PH# 1-800-737-0707

DWG# SRS-521

DATE: 01/22/12

SHEET# 1 OF 1



BASE WEIGHTS

36"	-	14,290 lbs.
42"	-	15,623 lbs.
48"	-	16,956 lbs.
54"	-	18,289 lbs.
60"	-	19,622 lbs.
66"	-	20,955 lbs.
72"	-	22,288 lbs.
78"	-	23,621 lbs.
86"	-	24,954 lbs.

GENERAL NOTES:

1. ALL MATERIAL, DESIGN, MANUFACTURE, PHYSICAL TEST REQUIREMENTS, FINISH MARKING, INSPECTION, REJECTION AND REPAIRS TO MEET "SPECIFICATIONS FOR PRECAST-REINFORCED CONCRETE MANHOLE SECTIONS", PER ASTM C-913 (LATEST REVISION).



HERMITAGE, TN LENOIR CITY, TN
FRANKLIN, TN CHATANOOGA, TN

72" X 72" CATCH BASIN

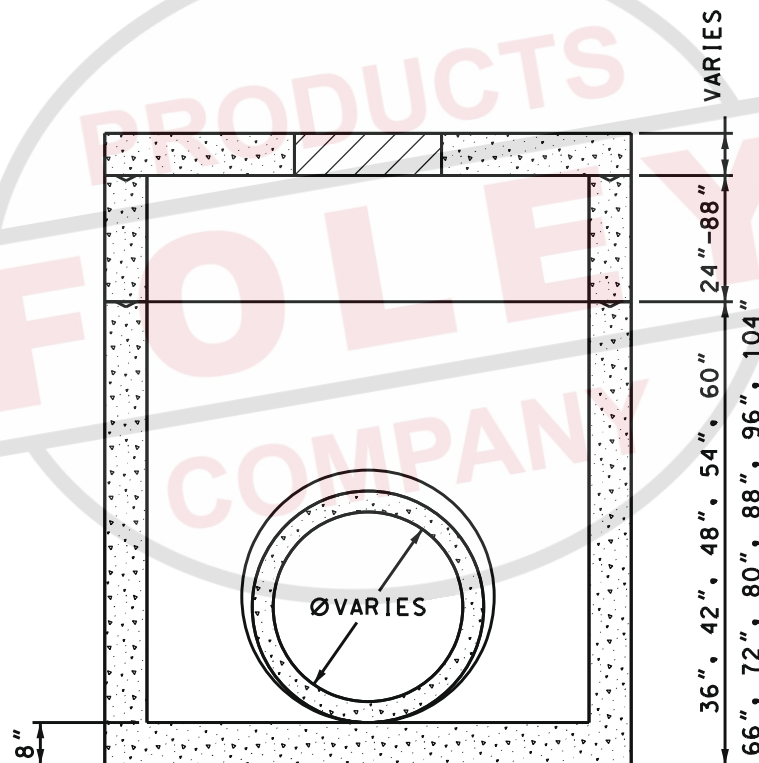
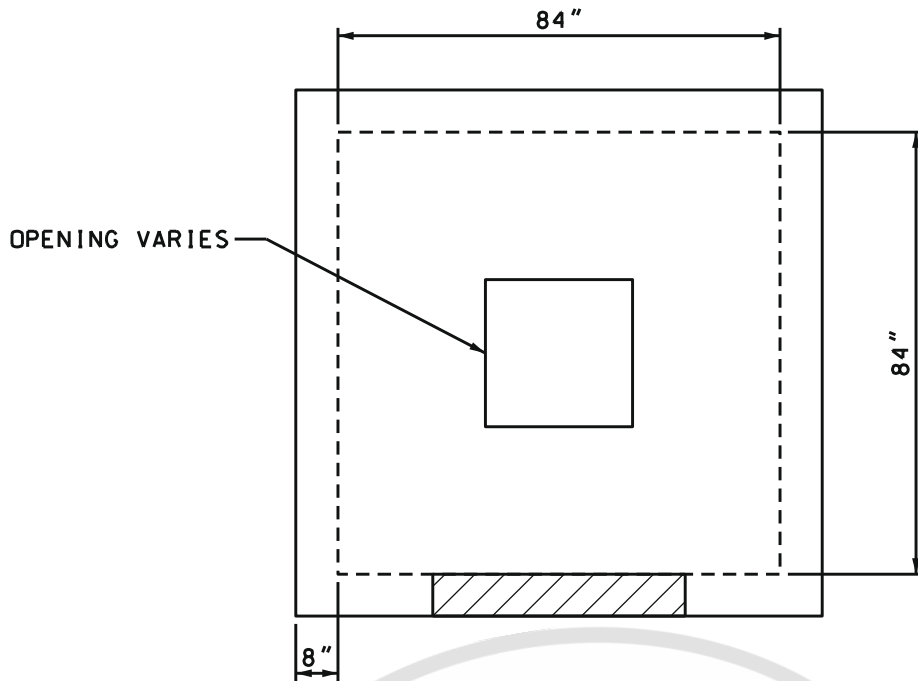
SCALE: NTS

PH# 1-800-737-0707

DWG# SRS-522

DATE: 01/22/12

SHEET# 1 OF 1



BASE WEIGHTS

36"	-	14,114 lbs.
42"	-	15,643 lbs.
48"	-	17,172 lbs.
54"	-	18,701 lbs.
60"	-	20,230 lbs.
66"	-	21,759 lbs.
72"	-	23,288 lbs.
80"	-	24,817 lbs.
88"	-	26,346 lbs.
96"	-	27,875 lbs.
104"	-	29,914 lbs.

GENERAL NOTES:

1. ALL MATERIAL, DESIGN, MANUFACTURE, PHYSICAL TEST REQUIREMENTS, FINISH MARKING, INSPECTION, REJECTION AND REPAIRS TO MEET "SPECIFICATIONS FOR PRECAST-REINFORCED CONCRETE MANHOLE SECTIONS", PER ASTM C-913 (LATEST REVISION).

* CAN BE UTILIZED AS TDOT STANDARD: D-CB-12SD, 25SD, 31SD 31P, 39SD, 41SD, 42SD, 51SD, D-MH-6, D-SDS-4



HERMITAGE, TN LENOIR CITY, TN
FRANKLIN, TN CHATANOOGA, TN

84" X 84" CATCH BASIN

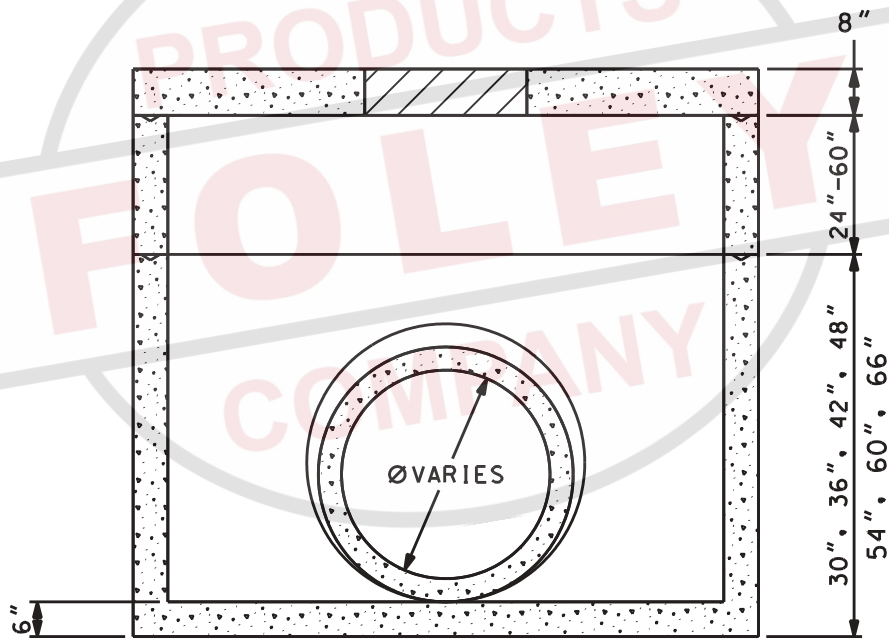
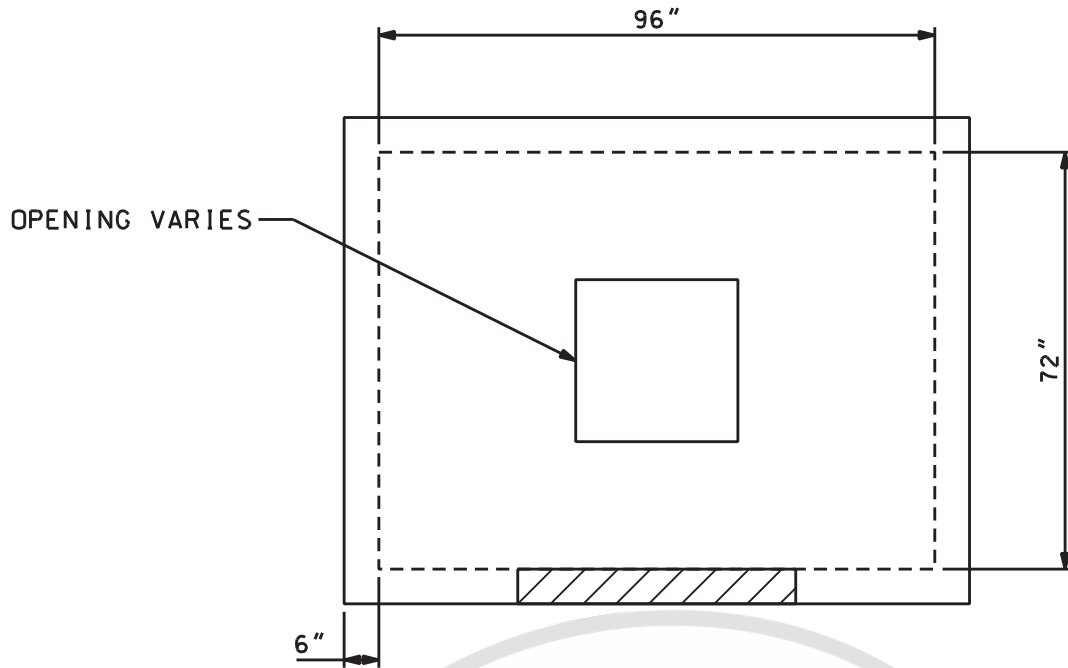
SCALE: NTS

PH• 1-800-737-0707

DWG# SRS-524

DATE: 09/12/08

SHEET# 1 OF 1



BASE WEIGHTS

30"	-	9,225 lbs.
36"	-	10,350 lbs.
42"	-	11,475 lbs.
48"	-	12,600 lbs.
54"	-	13,725 lbs.
60"	-	14,850 lbs.
66"	-	15,975 lbs.

GENERAL NOTES:

1. ALL MATERIAL, DESIGN, MANUFACTURE, PHYSICAL TEST REQUIREMENTS, FINISH MARKING, INSPECTION, REJECTION AND REPAIRS TO MEET "SPECIFICATIONS FOR PRECAST-REINFORCED CONCRETE MANHOLE SECTIONS", PER ASTM C-913 (LATEST REVISION).



HERMITAGE, TN LENOIR CITY, TN
FRANKLIN, TN CHATANOOGA, TN

72" X 96" CATCH BASIN

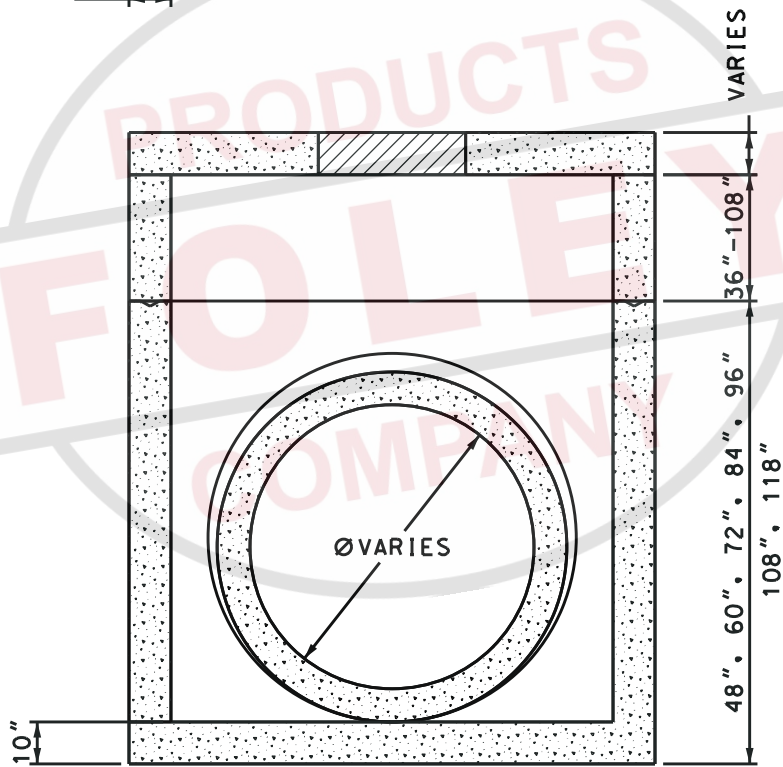
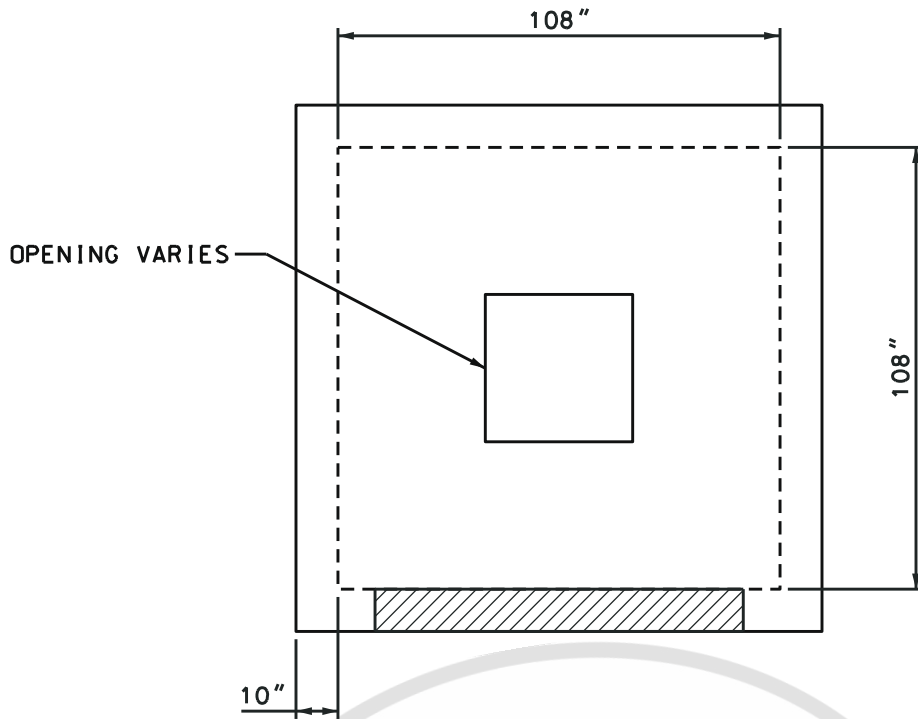
SCALE: NTS

PH# 1-800-737-0707

DWG# SRS-525

DATE: 01/22/12

SHEET# 1 OF 1



RISER WEIGHTS

36"	-	14,748	lbs.
48"	-	19,676	lbs.
60"	-	24,604	lbs.
72"	-	29,532	lbs.
84"	-	34,460	lbs.
96"	-	39,388	lbs.
108"	-	44,316	lbs.

BASE WEIGHTS

48"	-	29,789	lbs.
60"	-	34,705	lbs.
72"	-	39,621	lbs.
84"	-	44,537	lbs.
96"	-	49,453	lbs.
108"	-	54,369	lbs.
118"	-	58,466	lbs.

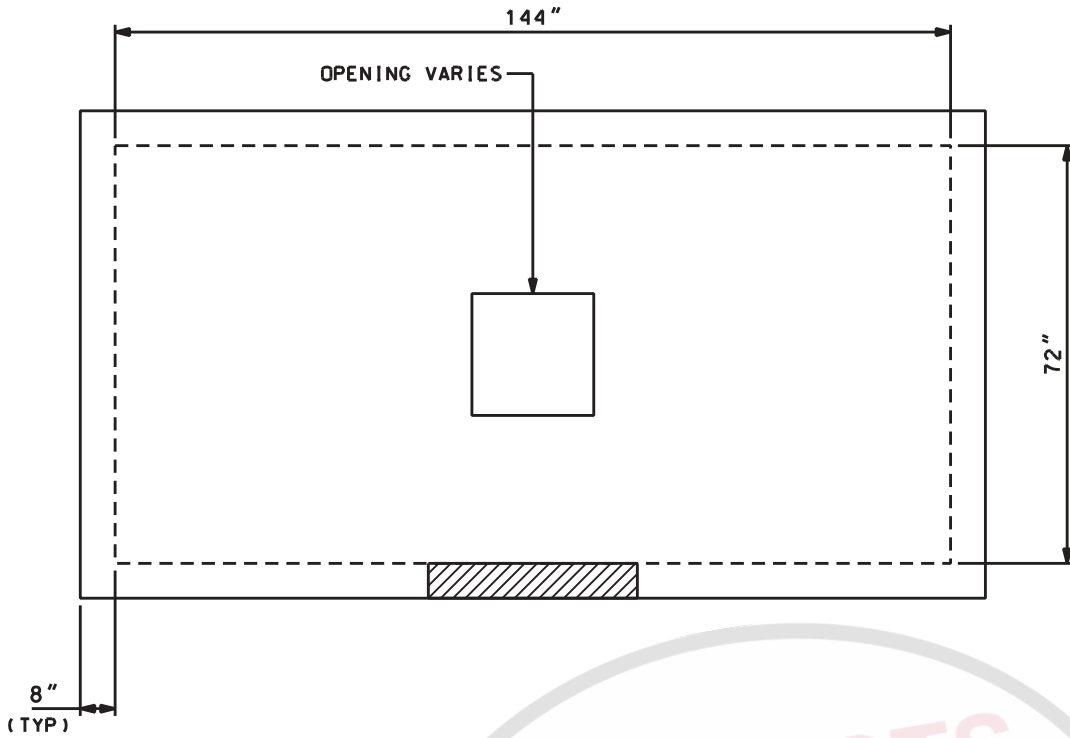
GENERAL NOTES:

1. ALL MATERIAL, DESIGN, MANUFACTURE, PHYSICAL TEST REQUIREMENTS, FINISH MARKING, INSPECTION, REJECTION AND REPAIRS TO MEET "SPECIFICATIONS FOR PRECAST-REINFORCED CONCRETE MANHOLE SECTIONS", PER ASTM C-913 (LATEST REVISION).

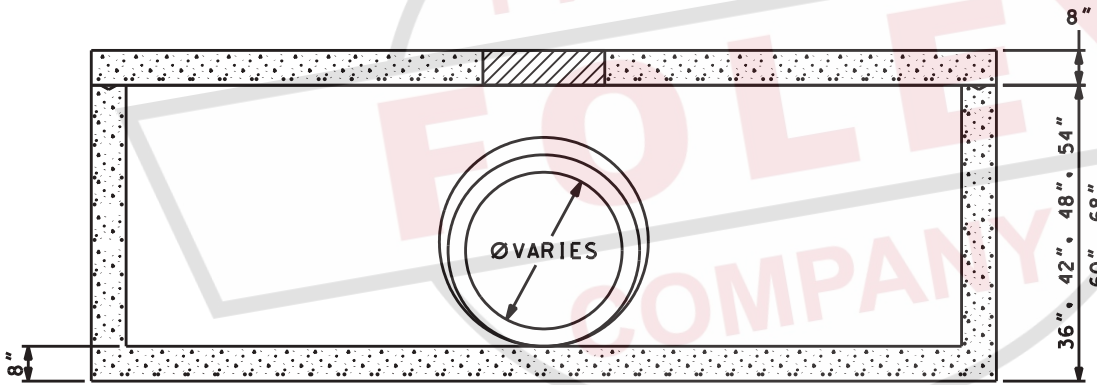
* CAN BE UTILIZED AS TDOT STANDARD: D-CB-12SE, 14SE, 25SE, 31SE, 39SE, 41SE, 44SE, 46SE, D-JBS-5, D-MH-7



HERMITAGE, TN LENOIR CITY, TN
FRANKLIN, TN CHATANOOGA, TN



FLAT TOP
(WEIGHT: 9,840 lbs.)



WEIGHTS - MAX	
36" TOP RISER:	18,880 lbs.
42" TOP RISER:	20,820 lbs.
48" TOP RISER:	22,760 lbs.
54" TOP RISER:	24,713 lbs.
60" TOP RISER:	26,653 lbs.
68" TOP RISER:	29,240 lbs.
36" RISER:	11,460 lbs.
42" RISER:	13,580 lbs.
48" RISER:	15,520 lbs.
54" RISER:	17,460 lbs.
60" RISER:	19,400 lbs.
36" BASE:	18,880 lbs
42" BASE:	20,820 lbs.
48" BASE:	22,760 lbs.
54" BASE:	24,713 lbs.
60" BASE:	26,653 lbs.
68" BASE:	29,240 lbs.

GENERAL NOTES:

1. ALL MATERIAL, DESIGN, MANUFACTURE, PHYSICAL TEST REQUIREMENTS, FINISH MARKING, INSPECTION, REJECTION AND REPAIRS TO MEET "SPECIFICATIONS FOR PRECAST-REINFORCED CONCRETE MANHOLE SECTIONS", PER ASTM C-913 (LATEST REVISION).



HERMITAGE, TN LENOIR CITY, TN
FRANKLIN, TN CHATANOOGA, TN

72" X 144" CATCH BASIN

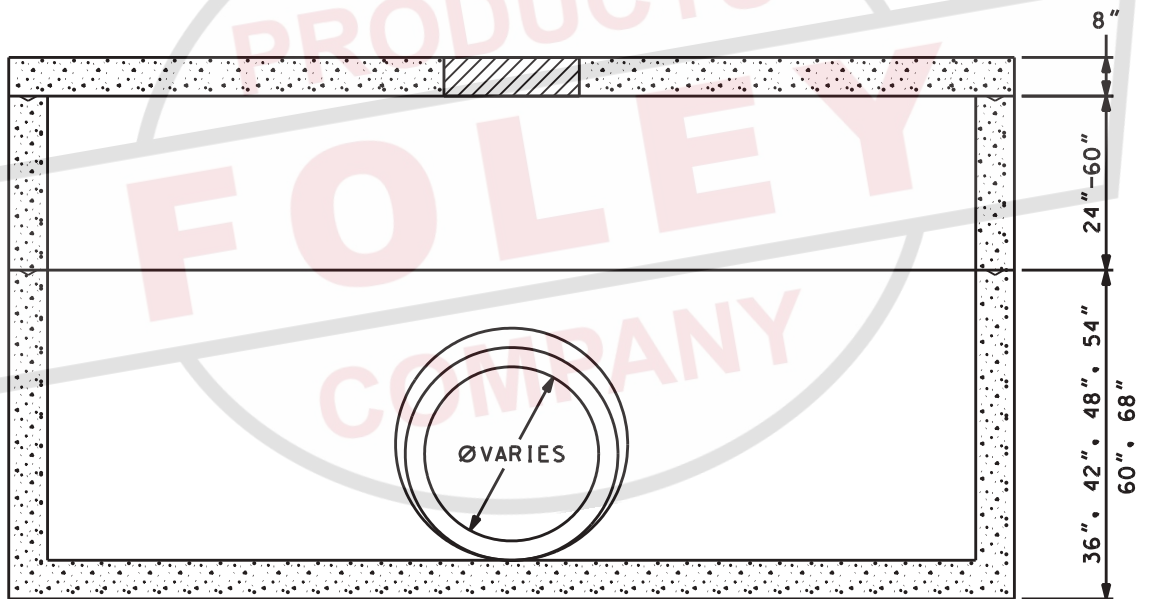
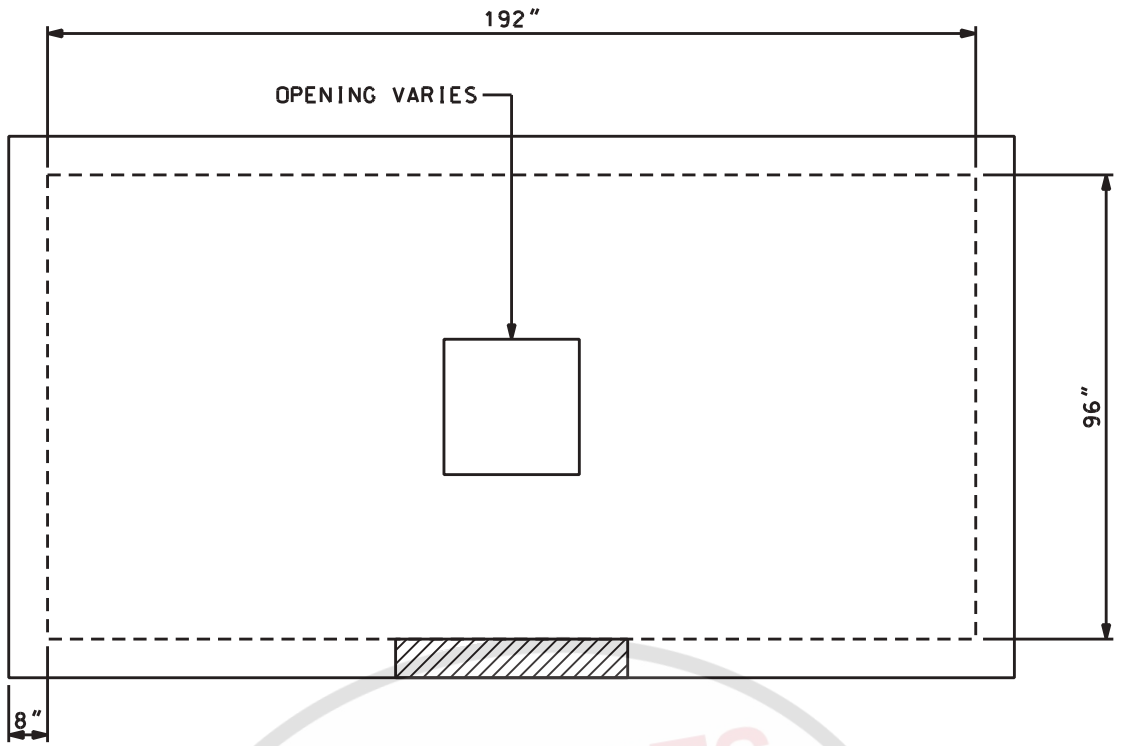
SCALE: NTS

PH# 1-800-737-0707

DWG# SRS-528

DATE: 08/29/08

SHEET# 1 OF 1



GENERAL NOTES:

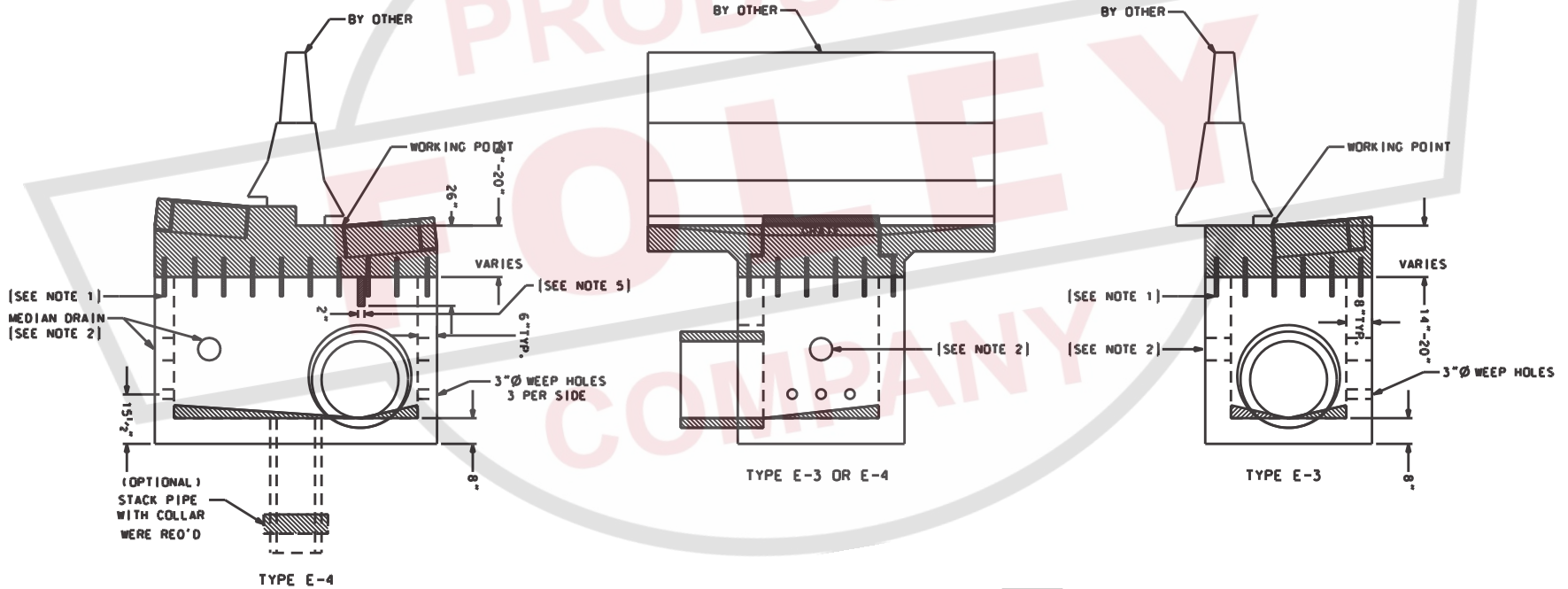
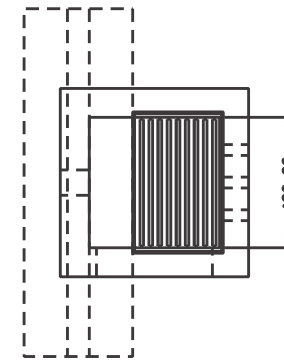
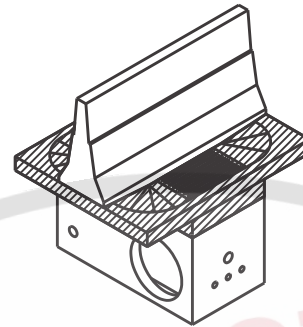
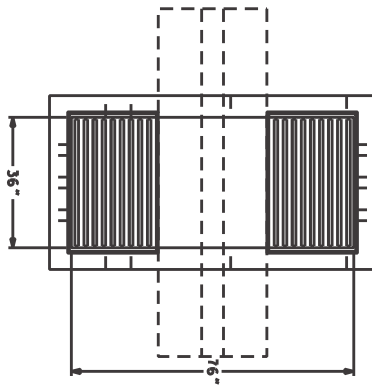
1. ALL MATERIAL, DESIGN, MANUFACTURE, PHYSICAL TEST REQUIREMENTS, FINISH MARKING, INSPECTION, REJECTION AND REPAIRS TO MEET "SPECIFICATIONS FOR PRECAST-REINFORCED CONCRETE MANHOLE SECTIONS", PER ASTM C-913 (LATEST REVISION).

BASE WEIGHTS


36"	28,310 lbs.
42"	30,845 lbs.
48"	33,378 lbs.
54"	35,910 lbs.
60"	38,445 lbs.
68"	41,825 lbs.



HERMITAGE, TN LENOIR CITY, TN
FRANKLIN, TN CHATANOOGA, TN



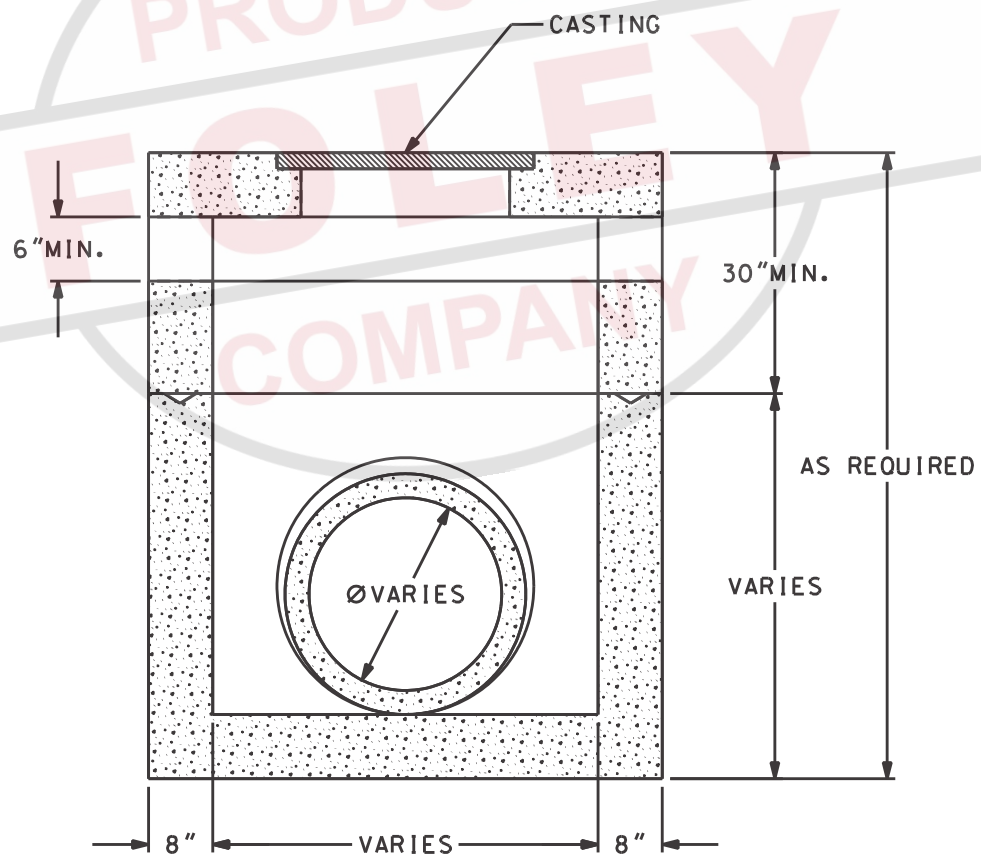
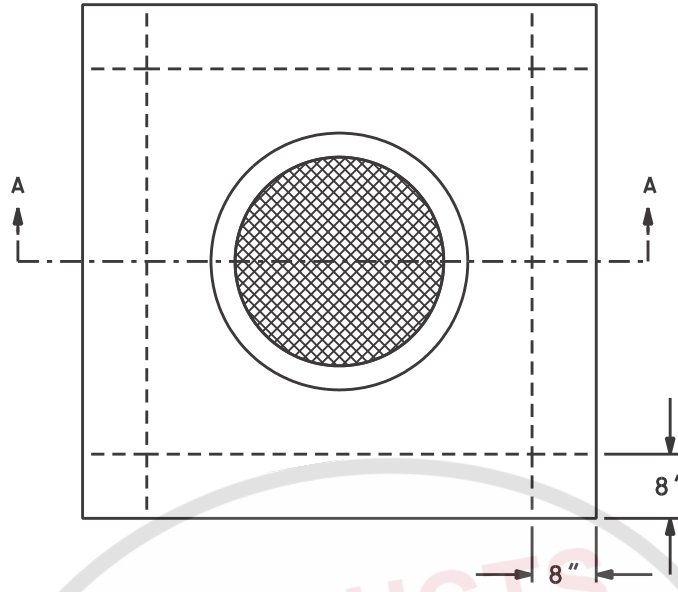
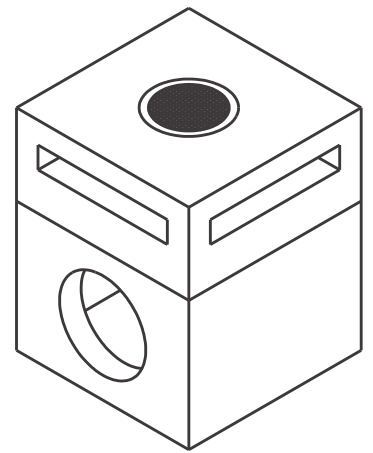
 POUR-IN-PLACE
 PRECAST UNIT

		HERMITAGE, TN LENOIR CITY, TN FRANKLIN, TN CHATANOOGA, TN	
PH# 1-800-737-0707		DWG# SRS-531	
DATE: 09/12/08		SHEET# 1 OF 1	

PRECAST INLET / TYPE E (E-3 & E-4)

SCALE: NTS

- GENERAL NOTES:**
1. DOWELS SHALL BE #4 BARS, 12" LONG AT 9" C-C SPACING & INSTALLED BY PRECASTER USING "CONCRESSIVE 1090" TYPE II CLASS C EPOXY.
 2. MEDIAN DRAIN & PAVEMENT EDGE DRAIN OPENINGS - WILL BE 7" DIAMETER OPENING FOR 6" PIPING.
 3. REINFORCEMENT STEEL = 60 K.S.I. - SIZE, SPACING, & LOCATION WILL MEET AL-DOT STANDARD DETAIL (1-621-E3) INDEX NO.637
 4. MIN. CONCRETE 28 DAY STRENGTH - 5,000 P.S.I.
 5. 2" VERTICAL SLOT IN UPHILL SIDE OF INLET BOX, FROM SUBGRADE TO BOTTOM OF GRATE SEAT, FOR CONTINUOUS DRAINAGE OF THE MEDIAN.



SECTION A-A



HERMITAGE, TN LENOIR CITY, TN
FRANKLIN, TN CHATANOOGA, TN

YARD INLET (SQUARE)

SCALE: NTS

PH• 1-800-737-0707

DWG# SRS-534

DATE: 01/22/12

SHEET# 1 OF 1