

26"Ø MANWAY ACCESS, TYP 2x

6" THICK BAFFLE w/ 8"Ø HOLE (SEE NOTES BELOW)

PL-122 EFFLUENT FILTER INSTALL BY OTHERS

INLET

OUTLET

2" AIR GAP

**GENERAL NOTES:**

- ACTUAL VOLUME: 539 GAL (w/ 8" PIPE)
- MANUFACTURED TO MEET ASTM C-913
- MIN CONCRETE STRENGTH 4,000 PSI @ 28 DAYS
- MANUFACTURED TO ACCOMMODATE HS-20 LIVE LOADS
- OPENINGS CAN VARY TO ACCOMMODATE DIFFERENT PIPE SIZES
- FLEXIBLE WATERTIGHT CONNECTIONS CAN BE PROVIDED FOR INLET & OUTLET UPON REQUEST
- ALL PIPING BY OTHERS
- ADDITIONAL BAFFLES CAN BE USED FOR COMBINATION GRIT AND OIL/WATER SEPARATOR
- BAFFLE GEOMETRY CAN BE REVISED AS NEEDED
- RISER OR GRADE RINGS CAN BE USED TO MEET FINISH GRADE
- POURED INVERTS NOT AVAILABLE
- NO MANHOLE STEPS
- JOINT SEALANT

DWG BY: JHA



500 GALLON GREASE TRAP

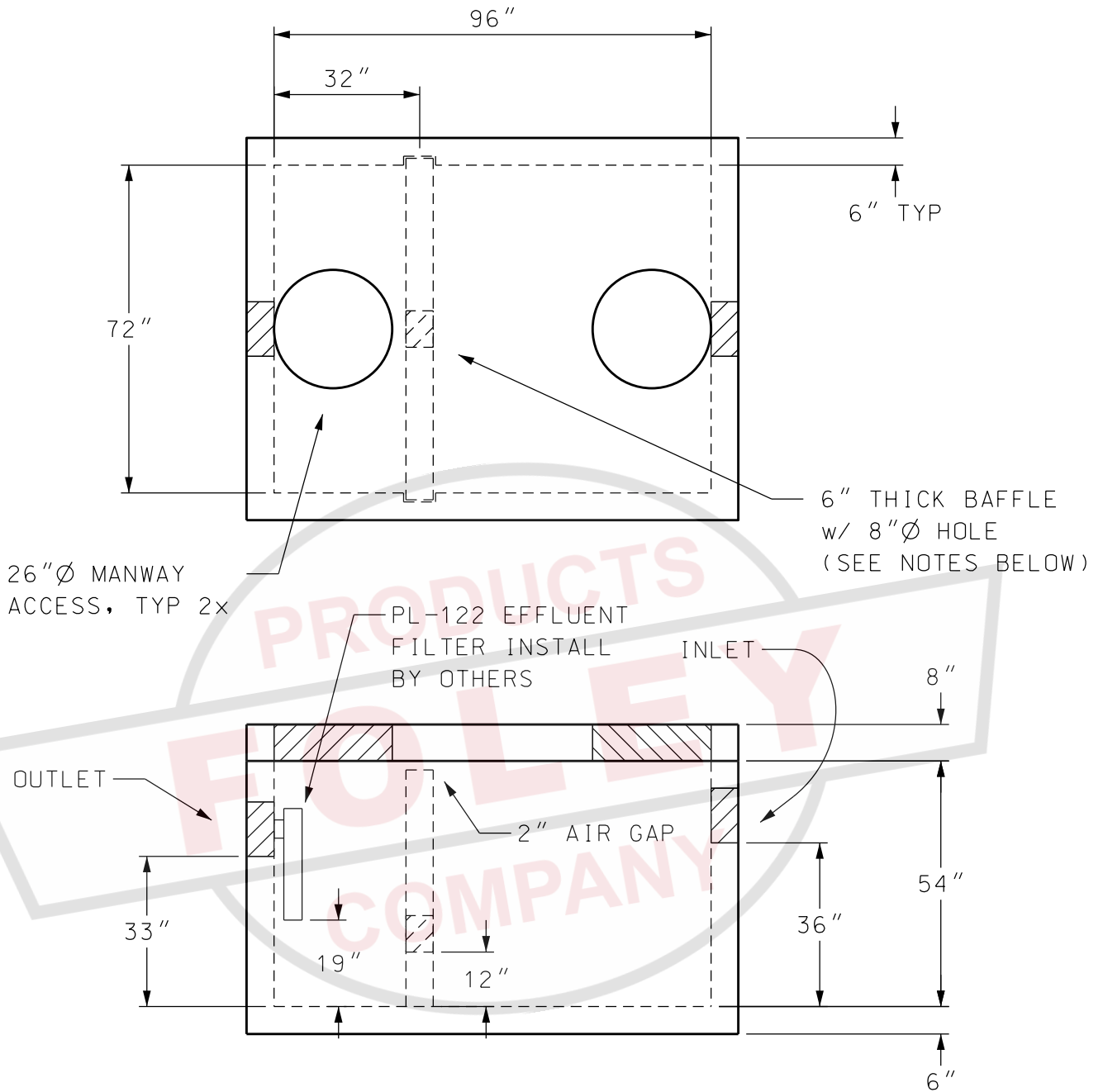
SCALE: NTS

PH# 1-800-737-0707

TITAN#

DATE: 8/18/16

SHEET# 1 OF 1



**GENERAL NOTES:**

- ACTUAL VOLUME: 1047 GAL (w/ 8" PIPE)
- MANUFACTURED TO MEET ASTM C-1613
- MIN CONCRETE STRENGTH 4,000 PSI @ 28 DAYS
- MANUFACTURED TO ACCOMODATE HS-20 LIVE LOADS
- OPENINGS CAN VARY TO ACCOMODATE DIFFERENT PIPE SIZES
- FLEXIBLE WATERTIGHT CONNECTIONS CAN BE PROVIDED FOR INLET & OUTLET UPON REQUEST
- ALL PIPING BY OTHERS
- ADDITIONAL BAFFLES CAN BE USED FOR COMBINATION GRIT AND OIL/WATER SEPARATOR
- BAFFLE GEOMETRY CAN BE REVISED AS NEEDED
- RISER OR GRADE RINGS CAN BE USED TO MEET FINISH GRADE
- POURED INVERTS NOT AVAILABLE
- NO MANHOLE STEPS
- JOINT SEALANT

DWG BY: JHA



1000 GALLON GREASE TRAP

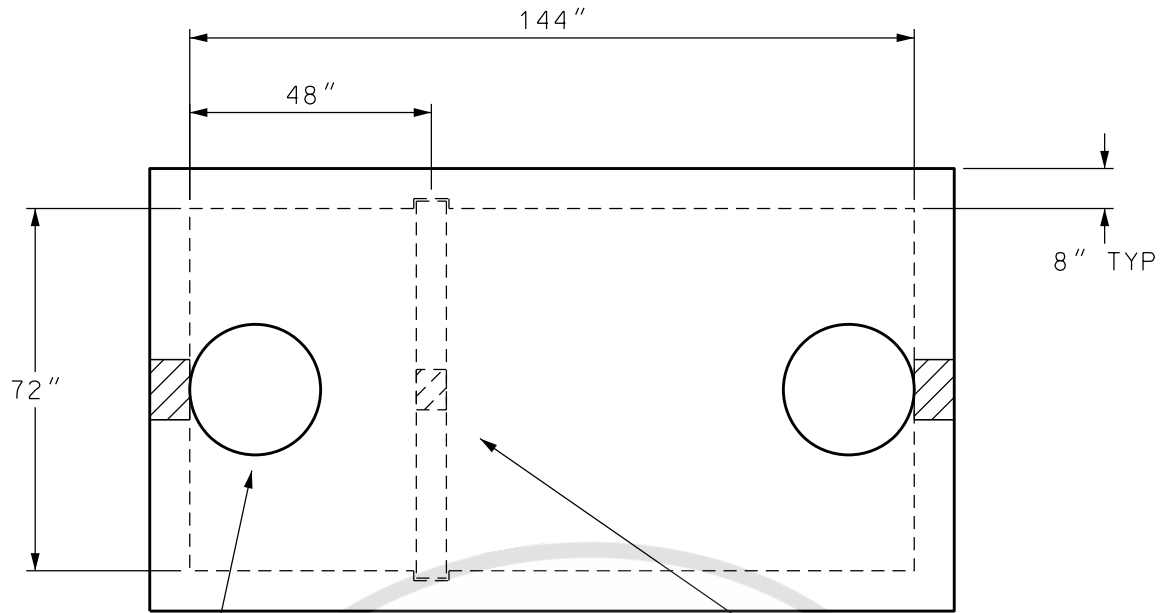
SCALE: NTS

PH\* 1-800-737-0707

TITAN#

DATE: 8/18/16

SHEET# 1 OF 1



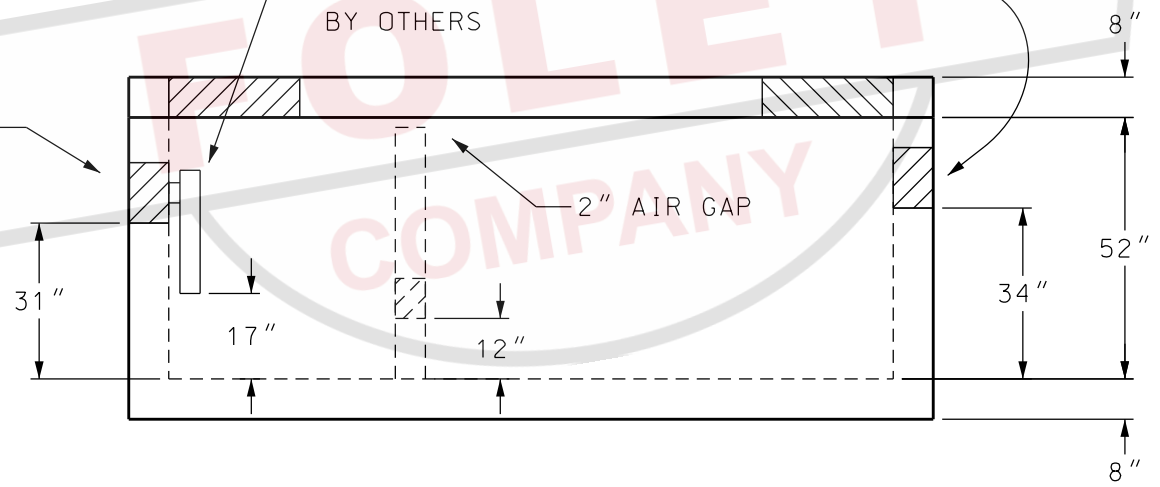
26"Ø MANWAY ACCESS, TYP 2x

6" THICK BAFFLE w/ 8"Ø HOLE (SEE NOTES BELOW)

PL-122 EFFLUENT FILTER INSTALL BY OTHERS

INLET

OUTLET



**GENERAL NOTES:**

- ACTUAL VOLUME: 1481 GAL (w/ 8" PIPE)
- MANUFACTURED TO MEET ASTM C-1613
- MIN CONCRETE STRENGTH 4,000 PSI @ 28 DAYS
- MANUFACTURED TO ACCOMMODATE HS-20 LIVE LOADS
- OPENINGS CAN VARY TO ACCOMMODATE DIFFERENT PIPE SIZES
- FLEXIBLE WATERTIGHT CONNECTIONS CAN BE PROVIDED FOR INLET & OUTLET UPON REQUEST
- ALL PIPING BY OTHERS
- ADDITIONAL BAFFLES CAN BE USED FOR COMBINATION GRIT AND OIL/WATER SEPARATOR
- BAFFLE GEOMETRY CAN BE REVISED AS NEEDED
- RISER OR GRADE RINGS CAN BE USED TO MEET FINISH GRADE
- POURED INVERTS NOT AVAILABLE
- NO MANHOLE STEPS
- JOINT SEALANT



DWG BY: JHA

PH# 1-800-737-0707

1500 GALLON GREASE TRAP

SCALE: NTS

SHEET# 1 OF 1