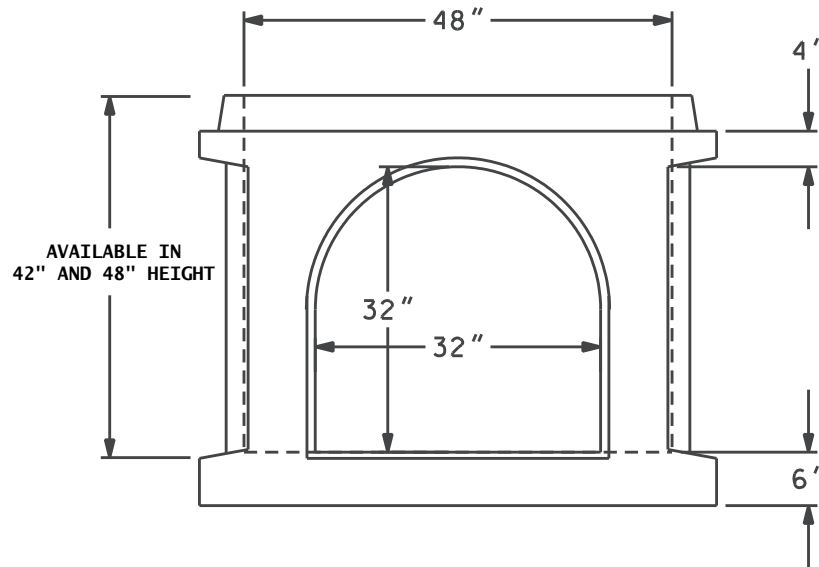


4(X) EQUALLY SPACED  
32"W X 32"H



AVAILABLE IN  
42" AND 48" HEIGHT

GENERAL NOTES:

1. NO INVERT - LIFTERS IN FLOOR
2. MAX. FILL OVER TOP OF CONCRETE CAP = 2'-0"
3. KNOCK-OUT PANEL SHALL BE COMPLETELY FILLED WITH NON-SHRINK GROUT. GROUT STRENGTH TO BE 4000p.s.i.
4. MAX. PIPE SIZE FOR K-OUT = 24"RCP (B-WALL)



HERMITAGE, TN LENOIR CITY, TN  
FRANKLIN, TN CHATANOOGA, TN

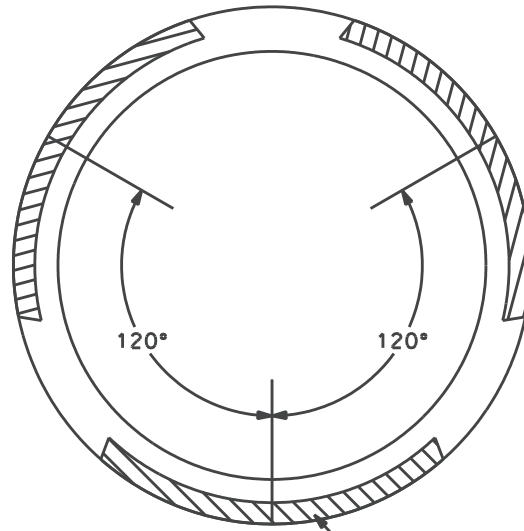
PH• 1-800-737-0707

DATE: 01/23/12

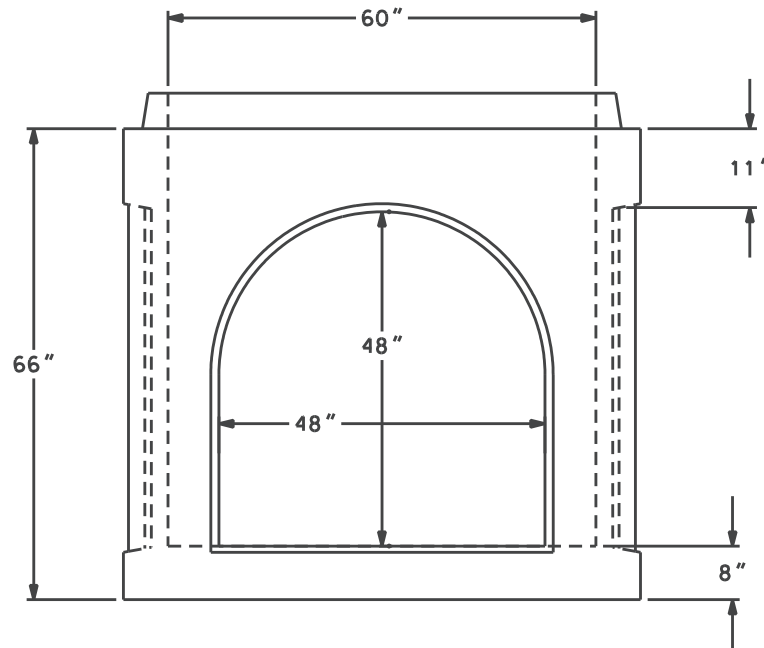
SHEET# 1 OF 1

48"Ø MONO BASE W/ KNOCK-OUTS

SCALE: NTS



3 (X) EQUALLY SPACED  
48" W X 48" H



GENERAL NOTES:

1. NO INVERT - LIFTERS IN FLOOR
2. MAX. FILL OVER TOP OF CONCRETE CAP = 2'-0"
3. KNOCK-OUT PANEL SHALL BE COMPLETELY FILLED WITH NON-SHRINK GROUT. GROUT STRENGTH TO BE 4000p.s.i.
4. MAX. PIPE SIZE FOR K-OUT = 36"RCP (C-WALL)



HERMITAGE, TN LENOIR CITY, TN  
FRANKLIN, TN CHATANOOGA, TN

PH# 1-800-737-0707

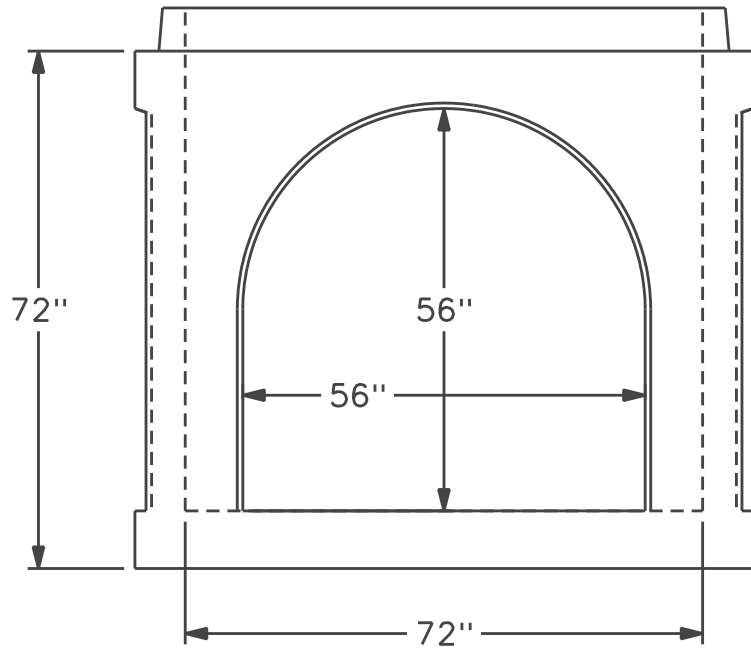
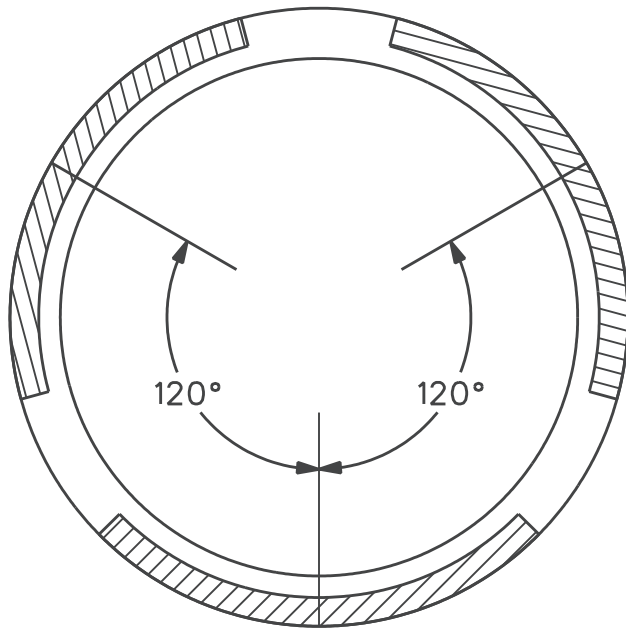
DWG# PB-324

DATE: 01/23/11

SHEET# 1 OF 1

60"Ø X 66" MONO BASE W/ KNOCK-OUTS

SCALE: NTS



**GENERAL NOTES:**

1. NO INVERT - LIFTERS IN FLOOR
2. MAX. FILL OVER TOP OF CONCRETE CAP = 2'-0"
3. KNOCK-OUT PANEL SHALL BE COMPLETELY FILLED WITH NON-SHRINK GROUT. GROUT STRENGTH TO BE 4000p.s.i.
4. MAX. PIPE SIZE FOR K-OUT = 42"RCP (C-WALL)



HERMITAGE, TN LENOIR CITY, TN  
FRANKLIN, TN CHATANOOGA, TN

PH# 1-800-737-0707

DWG# PB-326

DATE: 01/23/11

SHEET# 1 OF 1

72"Ø X 72" MONO BASE W/ KNOCK-OUTS

SCALE: NTS