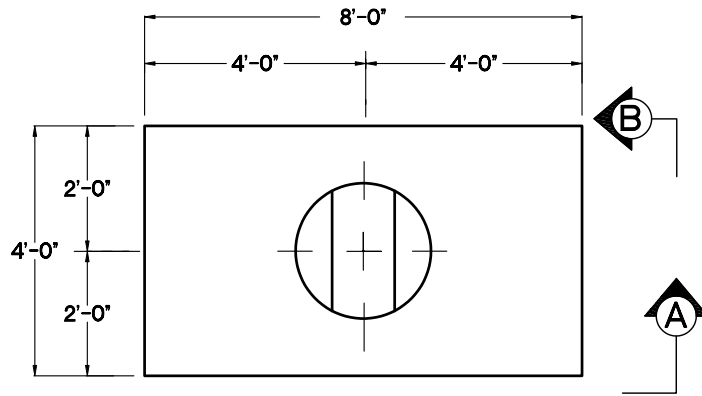
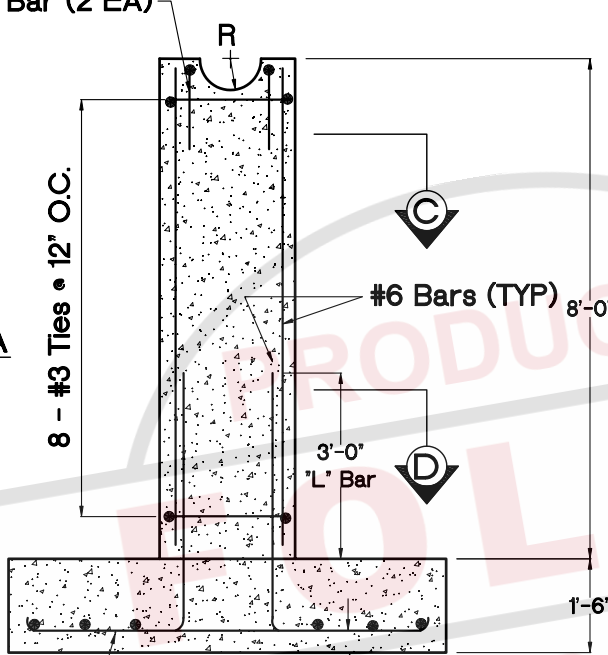


Plan

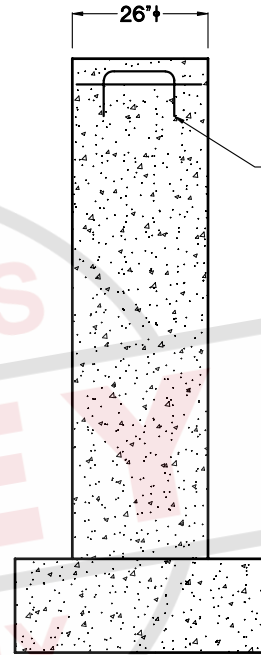


#3 'U' Bar (2 EA)

Section A



Section B

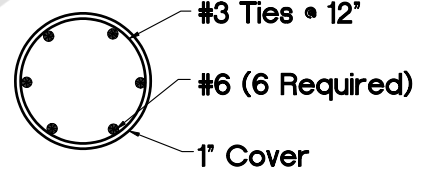


#6 Bars • 6" E.W.
(See Note #3)



Section D

Section C



1. Concrete 28 Day Strength • 4000 PSI
2. Reinforcing ASTM A615-60
3. Maximum Combined Vertical Load and Bearing Moment Is P = 520 K M = 114.4 K-Ft
4. 'R' Dependent On Size Of Supported Pipe
5. Maximum height of column on pier = 14'



208 JEFFERSON STREET
NEWNAN, GEORGIA 30263
(770) 251-0296

Precast Pier and Footing

SECTION	SANITARY SEWER	DATE	09-25-01	REVISION	04-11-02-DRM
SCALE	NTS	DRAWN BY	DRM	PAGE #	1-17